



Allen-Bradley I/O Channel Terminator

Cat. No. 1770-XT

Product Data

Introduction

The I/O Channel Terminator (Cat. No. 1770-XT) is designed to properly terminate data transmission lines used in the I/O structure of controllers in the PLC-2 Family and the PLC-3 Programmable Controller.

Specifically, in the PLC-2 Family, the Terminator is used to terminate the transmission lines which link the Remote I/O Distribution Panel (Cat. No. 1772-SD) to the I/O Adapter Module Assembly (Cat. No. 1771-AS). In the PLC-3 Controller, it is used to terminate the transmission lines connecting the I/O Scanner Module (Cat. No. 1775-S4A, -S4B) to the 1771-AS I/O Adapter Module Assembly.

This Publication has two purposes:

- To show locations for the I/O Channel Terminator in typical I/O configurations
- To outline proper procedure for installation

Terminator Location

In general, I/O Channel Terminators must be installed at the beginning and end of each I/O channel used (Figure 1) to guard against signal reflection which might occur if the channel were not properly terminated.

Figure 1
Location of I/O Channel Terminators in a Typical I/O Configuration

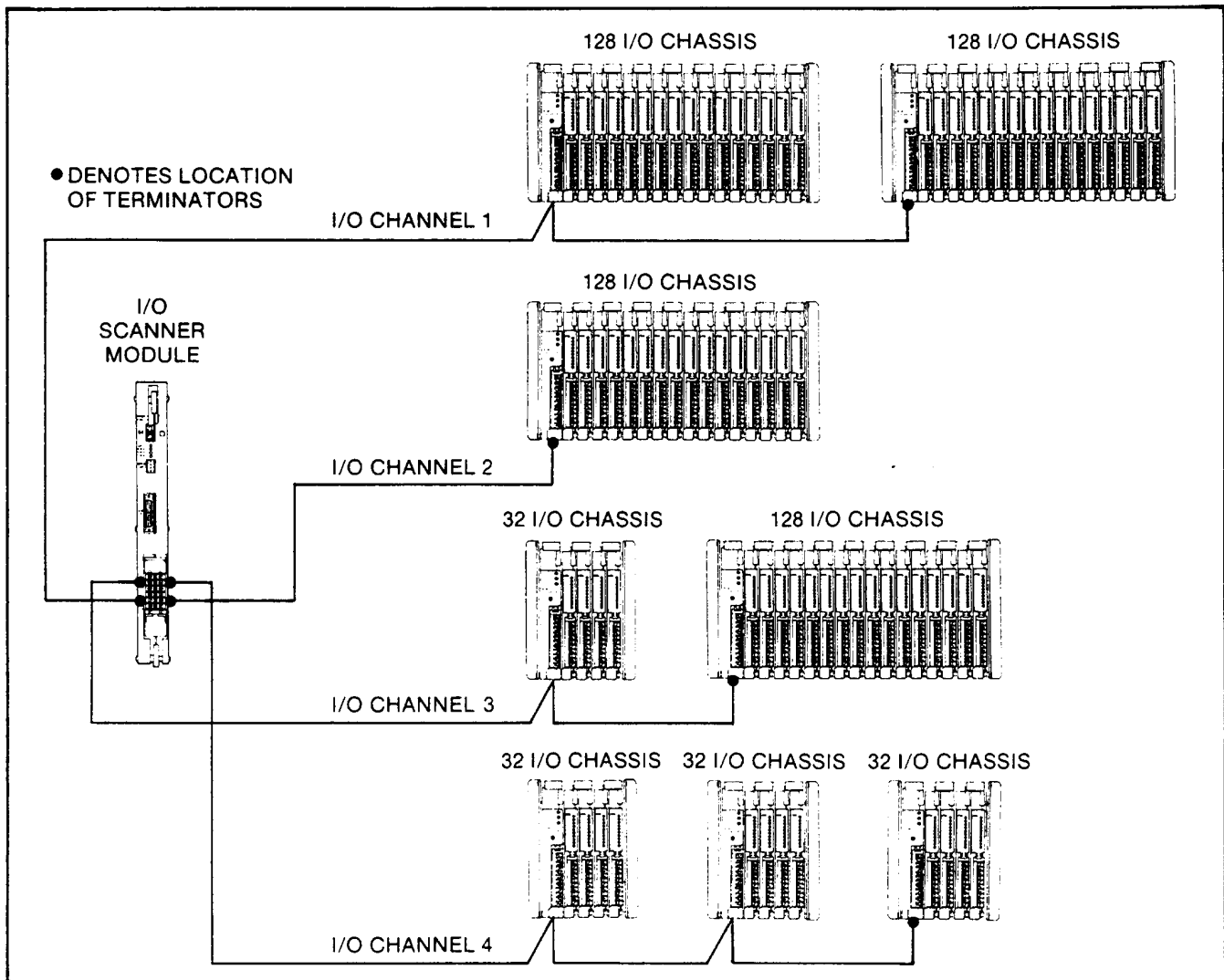
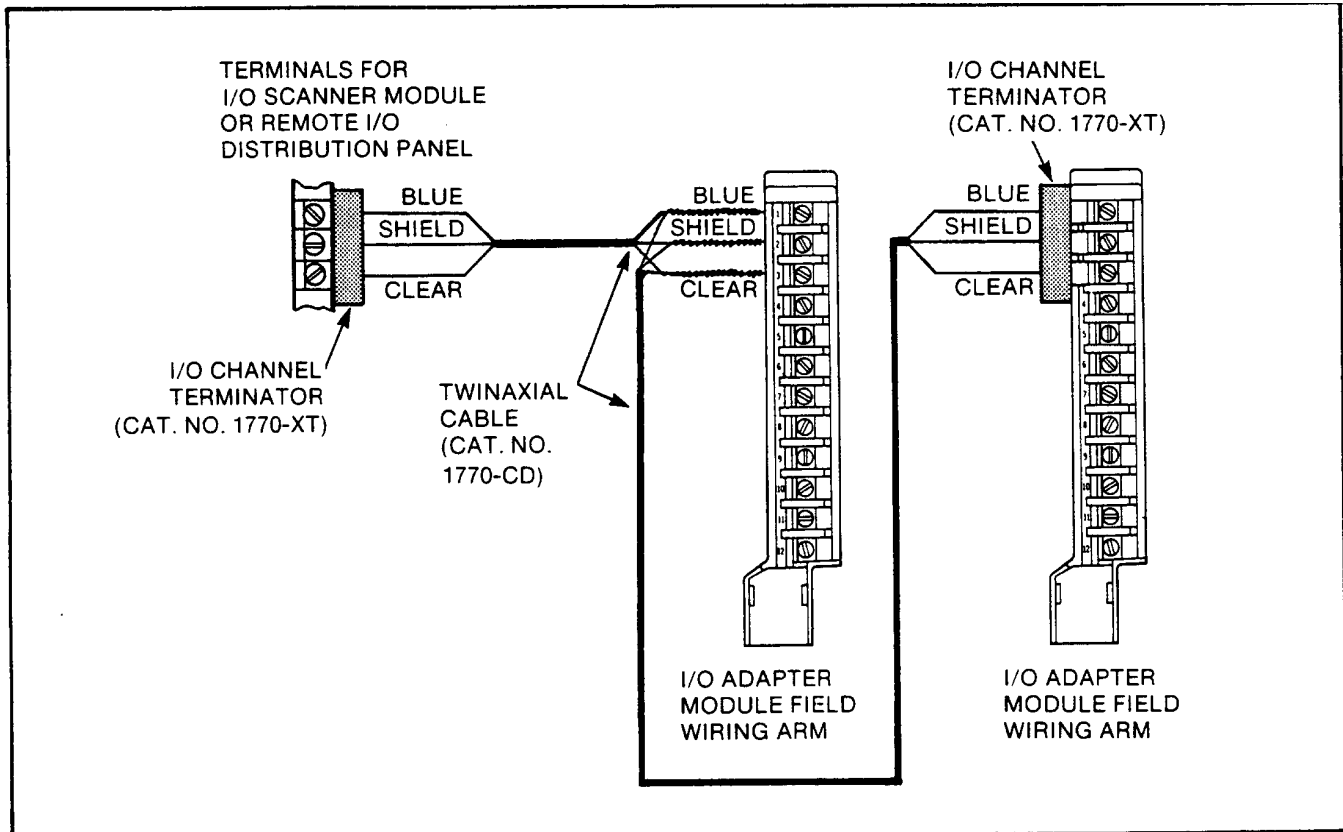


Figure 2
Terminal Connections for I/O Channel Terminators



The Terminator is designed to fit on the screw terminals for the I/O Scanner Module, the Remote I/O Distribution Panel or the Field Wiring Arm of the I/O Adapter Module (Figure 2).

When more than one I/O Scanner Module is used in a PLC-3 Controller as a backup, the I/O Channel Terminator must always be installed on the I/O Scanner Module which is at the beginning of the data transmission line (Figure 3).

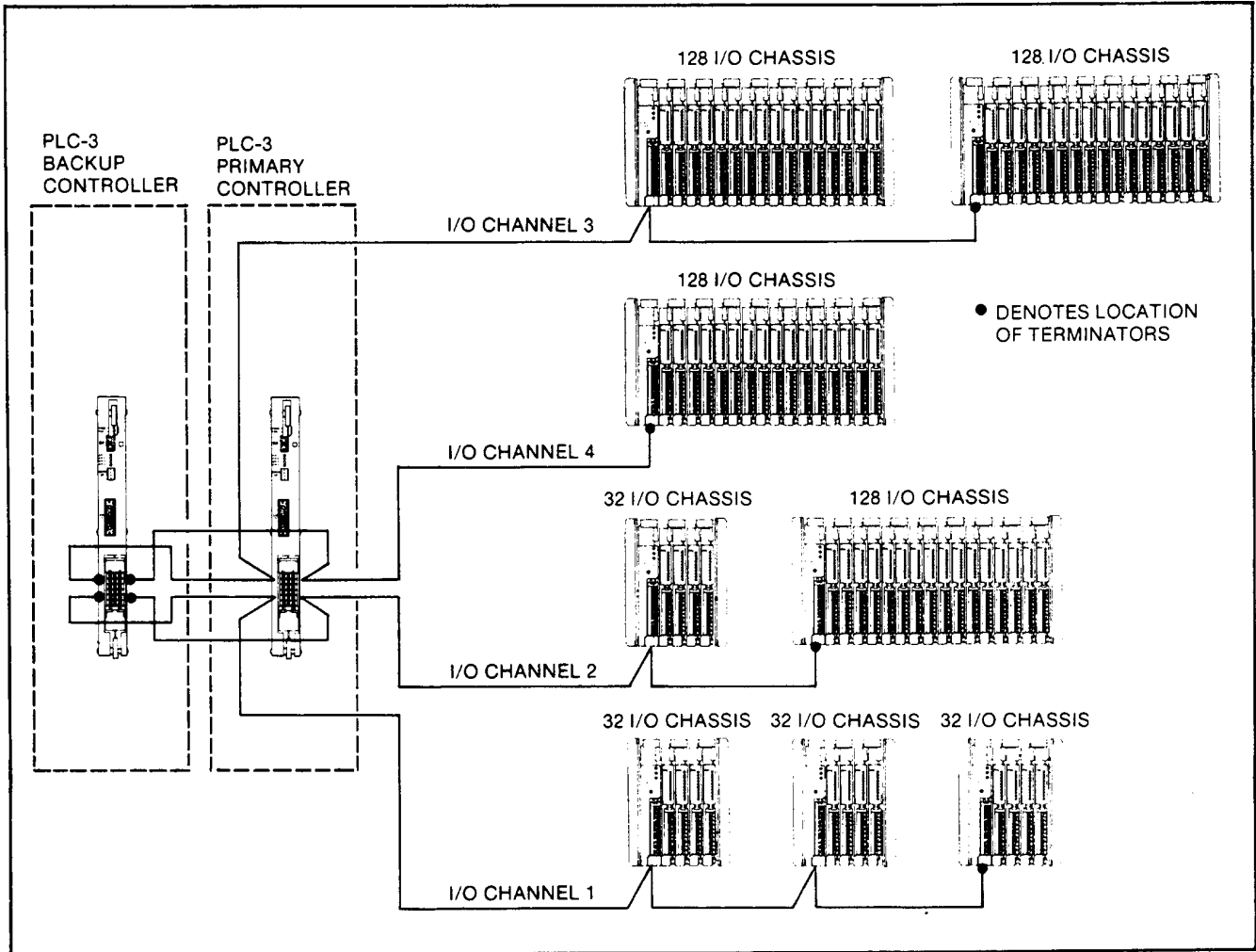
Installation

Perform the following procedure for each I/O Channel Terminator to be installed:

1. Loosen screws on terminals for the BLUE, CLEAR and SHIELD leads of the Twinaxial Cable (Cat. No. 1770-CD) (Figure 2). Do not remove the leads from their respective terminals.
2. Slide connectors onto screw terminals over the Twinaxial Cable leads.

3. Tighten screws on terminals and check to assure that the Terminator and Twinaxial Cable leads are securely fastened.

Figure 3
Location of I/O Channel Terminators in a PLC-3 Controller Using Backup





ALLEN-BRADLEY
A ROCKWELL INTERNATIONAL COMPANY

As a subsidiary of Rockwell International, one of the world's largest technology companies — Allen-Bradley meets today's challenges of industrial automation with over 85 years of practical plant-floor experience. More than 11,000 employees throughout the world design, manufacture and apply a wide range of control and automation products and supporting services to help our customers continuously improve quality, productivity and time to market. These products and services not only control individual machines but integrate the manufacturing process, while providing access to vital plant floor data that can be used to support decision-making throughout the enterprise.

With offices in major cities worldwide

**WORLD
HEADQUARTERS**
Allen-Bradley
1201 South Second Street
Milwaukee, WI 53204 USA
Tel: (1) 414 382-2000
Telex: 43 11 016
FAX: (1) 414 382-4444

**EUROPE/MIDDLE
EAST/AFRICA
HEADQUARTERS**
Allen-Bradley Europe B.V.
Amsterdamseweg 15
1422 AC Uithoorn
The Netherlands
Tel: (31) 2975/43500
Telex: (844) 18042
FAX: (31) 2975/60222

**ASIA/PACIFIC
HEADQUARTERS**
Allen-Bradley (Hong Kong)
Limited
Room 1006, Block B, Sea
View Estate
28 Watson Road
Hong Kong
Tel: (852) 887-4788
Telex: (780) 64347
FAX: (852) 510-9436

**CANADA
HEADQUARTERS**
Allen-Bradley Canada
Limited
135 Dundas Street
Cambridge, Ontario N1R
5X1
Canada
Tel: (1) 519 623-1810
FAX: (1) 519 623-8930

**LATIN AMERICA
HEADQUARTERS**
Allen-Bradley
1201 South Second Street
Milwaukee, WI 53204 USA
Tel: (1) 414 382-2000
Telex: 43 11 016
FAX: (1) 414 382-2400