



Fused Field Wiring Arm

Cat. No. 1771-WHF and -WHFB

To the Installer

This document describes:

- pre-installation considerations
- how to install the field wiring arm
- how to change a fuse on the field wiring arm
- product specifications

Pre-installation Considerations

The fused field wiring arm provides individual output circuit protection.

It allows simple fuse replacement without removing the field wiring arm from the I/O chassis.

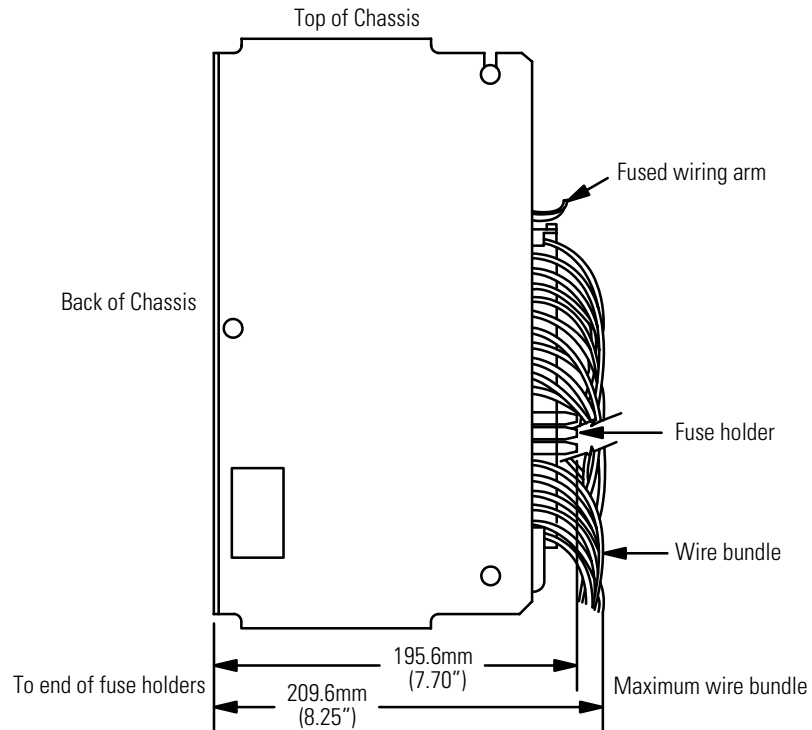
Two versions are available, both of which are interchangeable with the 1771-WH field wiring arm:

- 1771-WHF - this wiring arm uses a 3A fuse for each output. The maximum continuous current should not exceed 2.0A per fuse.
- 1771-WHFB - this wiring arm uses a 1.5A fuse for each output. The maximum continuous current should not exceed 1.1A per fuse.

IMPORTANT

Fused field wiring arms require more clearance than the 1771-WH field wiring arms. If you are installing in a cabinet, make certain that your installation has sufficient clearance for this wiring arm.

The following figure shows the minimum dimensions from the back of the 1771 I/O chassis to the front of the fused field wiring arm and to the front of a typical wire bundle.



Installing the Fused Field Wiring Arm

To install the fused field wiring arm:

IMPORTANT

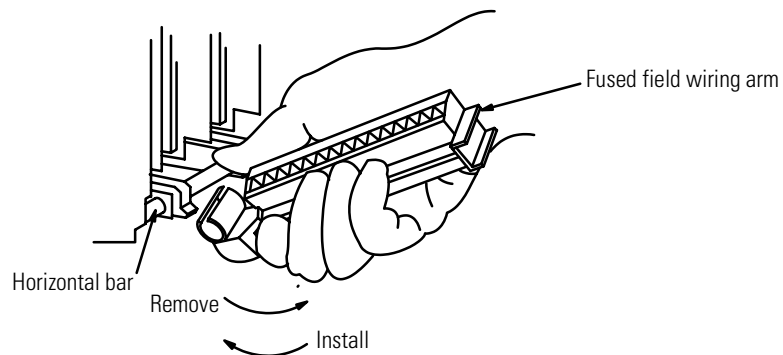
If your application requires a single power source for all circuits on the 16-point output module, install the jumper supplied with the wiring arm to connect the first 4 terminals (A, B, C and D) together. Refer to the specific installation data for your output module for wiring information.

1. Remove power from the wiring arm.
2. If replacing an existing wiring arm:
 - a. disconnect wiring from the terminals on the field wiring arm
 - b. release the tab securing the wiring arm to the module
 - c. swing the wiring arm downward and remove as shown in the following figure
3. Snap the 1771WHF or -WHFB wiring arm on the horizontal bar at the bottom of the chassis as shown in the following figure.

4. Swing the wiring arm upward onto the module until the arm is secured by the tab.
5. Connect field wiring as outlined in the installation data sheet included with your particular output module.

IMPORTANT

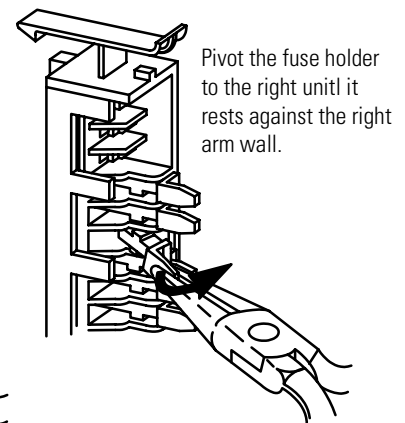
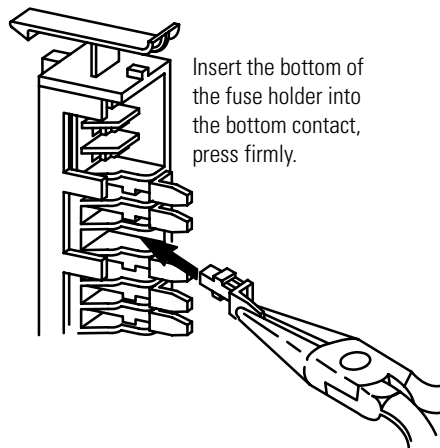
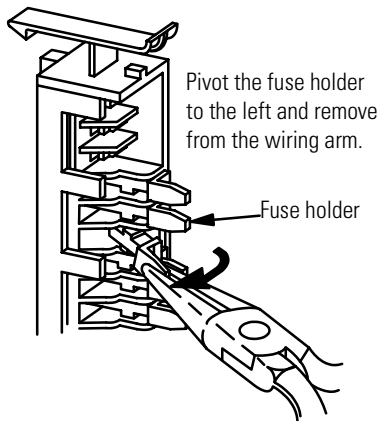
Make certain that you allow sufficient slack in the wiring at the bottom of the field wiring arm so that the wiring arm can pivot sufficiently on the horizontal bar to allow module removal.



Changing a Fuse on the Fused Field Wiring Arm

To change a fuse:

1. Remove power from the wiring arm.
2. Remove the fuse holder from the wiring arm as shown below:



Allen-Bradley

3. Depending on the wiring arm, replace the fuse with the following:
 - 1771-WHF - 3A fuse from Allen-Bradley Fuse Pak, cat. no. 1771-FD or Littelfuse 2AG 3A, part. no. 225003
 - 1771-WHFB - 1.5A fuse from Allen-Bradley Fuse Pak, cat. no. 1771-FD2 or Littelfuse 2AG 1.5A, part no. 22501.5
4. Replace the fuse holder in the field wiring arm as shown above.
5. Reapply power to the wiring arm.

Specifications

Catalog Number	1771-WHF (3A) and 1771-WHFB (1.5A)
Dimensions	8.265H x 1.224W x 2.0D (inches) 209H x 31W x 51D (millimeters)
Conductors	Wire Size - 14-20 AWG (2.5mm ² -0.5mm ²), copper only stranded or solid, rated at 75°C or higher, 3/64 inch (1.22mm) insulation Category - 1 ¹
Fuses	16 2AG 3A for 1771-WHF 16 2AG 1.5A for 1771-WHFB
Optional Fuse Pak	1771-WHF - Cat. No. 1771-FD: contains 2 fuse holders and 8 2AG 3A fuses 1771-WHFB - Cat. No. 1771-FD2: contains 2 fuse holders and 8 2AG 1.5A fuses
Wiring Arm Screw Torque	9 inch-pounds
Terminal Rating	Terminals A-D rated for 8A @ 250V Terminals 00-17 on 1771-WHF rated for 3A @ 250V Terminals 00-17 on 1771-WHFB rated for 1.5A @ 250V with a combined rating of 12A through terminals 00-17

¹ Use this conductor category information for planning conductor routing as described in the system-level installation manual.

Reach us now at www.rockwellautomation.com

Wherever you need us, Rockwell Automation brings together leading brands in industrial automation including Allen-Bradley controls, Reliance Electric power transmission products, Dodge mechanical power transmission components, and Rockwell Software. Rockwell Automation's unique, flexible approach to helping customers achieve a competitive advantage is supported by thousands of authorized partners, distributors and system integrators around the world.

Americas Headquarters, 1201 South Second Street, Milwaukee, WI 53204, USA, Tel: (1) 414 382-2000, Fax: (1) 414 382-4444
European Headquarters SA/NV, avenue Herrmann Debroux, 46, 1160 Brussels, Belgium, Tel: (32) 2 663 06 00, Fax: (32) 2 663 06 40
Asia Pacific Headquarters, 27/F Citicorp Centre, 18 Whitfield Road, Causeway Bay, Hong Kong, Tel: (852) 2887 4788, Fax: (852) 2508 1846

Publication 1771-IN072A-EN-P - January 2001

Supersedes Publication 1771-2.116 - April 1992



**Rockwell
Automation**

PN 957464-66

© 2001 Rockwell International Corporation. Printed in the U.S.A.