



Analog Input Module Cat. No. 1771-IFE Series B

This release note contains information on:

- series change from A to B
- addition of agency certification
- revised cable grounding drawing (Figure 2.6)

Series Change from Series A to Series B

The series B version of this product is marked with the **CE** mark, indicating that this version complies with the European Union Directives noted below.

Use the series A version of the instruction manual with this product.

European Union Directive Compliance

Installation Requirements: If this product is installed within the European Union or EEA regions, the following regulations apply.

EMC Directive

This apparatus is tested to meet Council Directive 89/336/EEC Electromagnetic Compatibility (EMC) using a technical construction file and the following standards, in whole or in part:

- EN 50081-2 EMC – Generic Emission Standard, Part 2 – Industrial Environment
- EN 50082-2 EMC – Generic Immunity Standard, Part 2 – Industrial Environment

The product described in this manual is intended for use in an industrial environment.

Low Voltage Directive

This apparatus is also designed to meet Council Directive 73/23/EEC Low Voltage, by applying the safety requirements of EN 61131-2 Programmable Controllers, Part 2 – Equipment Requirements and Tests.

For specific information that the above norm requires, see the appropriate sections in this manual, as well as the following Allen-Bradley publications:

Allen-Bradley Drives

- Industrial Automation Wiring and Grounding Guidelines, publication 1770-4.1
- Guidelines for Handling Lithium Batteries, publication AG-5.4
- Automation Systems Catalog, publication B111

Changes to Specifications

Changes to the specifications, Appendix A, include:

- addition of agency certification

Agency Certification

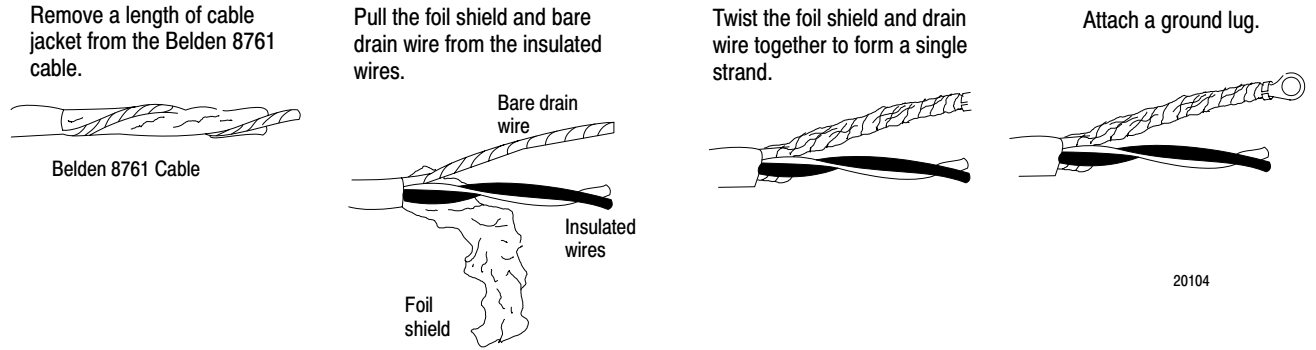
Add the Agency Certification row to the specification table.

Agency Certification (when product or packaging is marked)	<ul style="list-style-type: none">• CSA certified• CSA Class I, Division 2, Groups A, B, C, D certified• UL listed• CE marked for all applicable directives
--	--

Revised Figure 2.6, Cable Grounding

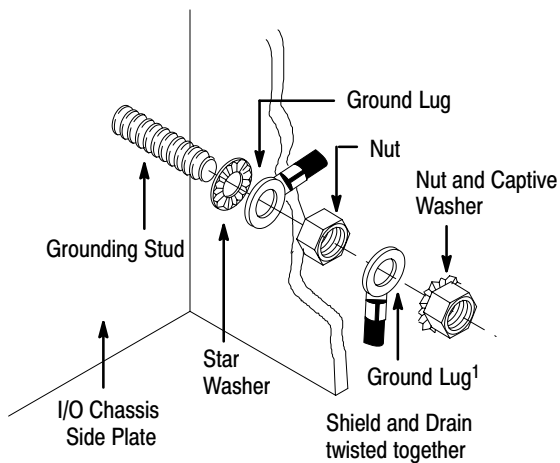
The following figure replaces the existing figure 2.6 in publication 1771-6.5.90, dated May 1994.

**Figure 2.6
Cable Grounding**



Chassis Ground

When you connect grounding conductors to the I/O chassis grounding stud, place a star washer under the first lug, then place a nut with captive lock washer on top of each ground lug.

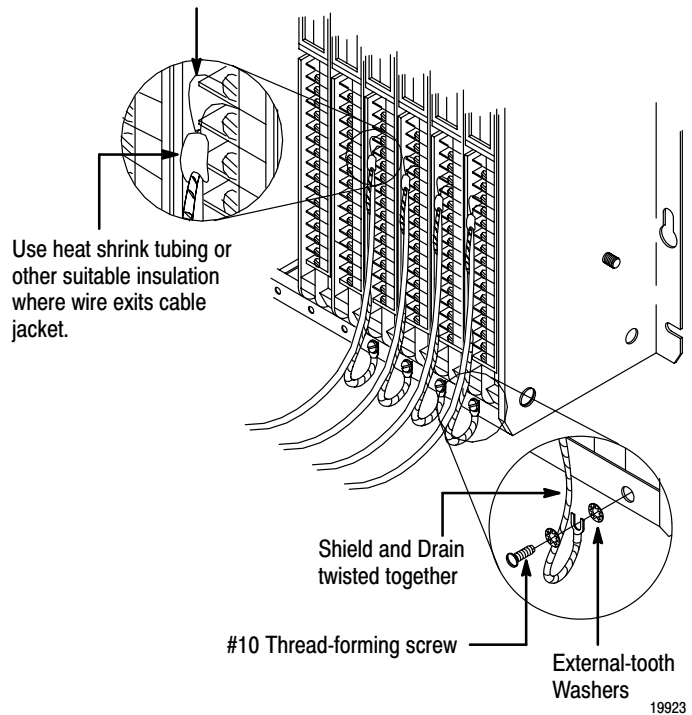


¹Use the cup washer if crimp-on lugs are not used.

19480

Single-point Grounding

Extend shield to termination point. Expose just enough cable to adequately terminate inner conductors.





Allen-Bradley, a Rockwell Automation Business, has been helping its customers improve productivity and quality for more than 90 years. We design, manufacture and support a broad range of automation products worldwide. They include logic processors, power and motion control devices, operator interfaces, sensors and a variety of software. Rockwell is one of the world's leading technology companies.



Worldwide representation.

Argentina • Australia • Austria • Bahrain • Belgium • Brazil • Bulgaria • Canada • Chile • China, PRC • Colombia • Costa Rica • Croatia • Cyprus • Czech Republic • Denmark • Ecuador • Egypt • El Salvador • Finland • France • Germany • Greece • Guatemala • Honduras • Hong Kong • Hungary • Iceland • India • Indonesia • Ireland • Israel • Italy • Jamaica • Japan • Jordan • Korea • Kuwait • Lebanon • Malaysia • Mexico • Netherlands • New Zealand • Norway • Pakistan • Peru • Philippines • Poland • Portugal • Puerto Rico • Qatar • Romania • Russia-CIS • Saudi Arabia • Singapore • Slovakia • Slovenia • South Africa, Republic • Spain • Sweden • Switzerland • Taiwan • Thailand • Turkey • United Arab Emirates • United Kingdom • United States • Uruguay • Venezuela • Yugoslavia

Allen-Bradley Headquarters, 1201 South Second Street, Milwaukee, WI 53204 USA, Tel: (1) 414 382-2000 Fax: (1) 414 382-4444