



**Allen-Bradley**

***Mini-PLC-2 Family  
Programmable  
Controllers***



*product icon*

# **Quick Start for Experienced Users**

**Allen-Bradley PLCs**

## Important User Information

Because of the variety of uses for the products described in this publication, those responsible for the application and use of this control equipment must satisfy themselves that all necessary steps have been taken to assure that each application and use meets all performance and safety requirements, including any applicable laws, regulations, codes and standards.

The illustrations, charts, sample programs and layout examples shown in this guide are intended solely for purposes of example. Since there are many variables and requirements associated with any particular installation, Allen-Bradley does not assume responsibility or liability (to include intellectual property liability) for actual use based upon the examples shown in this publication.

Allen-Bradley publication SGI-1.1, *Safety Guidelines for the Application, Installation, and Maintenance of Solid-State Control* (available from your local Allen-Bradley office), describes some important differences between solid-state equipment and electromechanical devices that should be taken into consideration when applying products such as those described in this publication.

Reproduction of the contents of this copyrighted publication, in whole or in part, without written permission of Allen-Bradley Company, Inc., is prohibited.

Throughout this manual we use notes to make you aware of safety considerations:



**ATTENTION:** Identifies information about practices or circumstances that can lead to personal injury or death, property damage or economic loss.

---

Attention statements help you to:

- identify a hazard
- avoid the hazard
- recognize the consequences

**Important:** Identifies information that is critical for successful application and understanding of the product.

## Table of Contents

---

<b>Preface</b> .....	<a href="#">P-1</a>
Using this Quick Start .....	<a href="#">P-1</a>
What You Need to Do .....	<a href="#">P-1</a>
System Components used in this Quick Start .....	<a href="#">P-2</a>
If You Need Help ... ..	<a href="#">P-2</a>
<b>Configure and Ground I/O Chassis</b> .....	<a href="#">1-1</a>
Configure I/O Chassis .....	<a href="#">1-1</a>
Ground I/O Chassis .....	<a href="#">1-2</a>
<b>Install I/O Modules</b> .....	<a href="#">2-1</a>
Install Field Wiring Arms .....	<a href="#">2-1</a>
Install I/O Modules .....	<a href="#">2-1</a>
<b>Install Backup Battery and Memory Module</b> .....	<a href="#">3-1</a>
Install Backup Battery .....	<a href="#">3-1</a>
Install Memory Module .....	<a href="#">3-1</a>
<b>Install Processor and Power Supply</b> .....	<a href="#">4-1</a>
Install Processor .....	<a href="#">4-1</a>
Install Power Supply .....	<a href="#">4-1</a>
<b>Connect Power to the Processor or Power Supply</b> .....	<a href="#">5-1</a>
Connect Power to Processor .....	<a href="#">5-1</a>
Connect Power Supply .....	<a href="#">5-1</a>
<b>Connect Programming Terminal</b> .....	<a href="#">6-1</a>
Connect to a Personal Computer .....	<a href="#">6-2</a>
Specifications .....	<a href="#">-1</a>

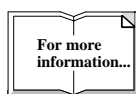
## Preface

### Using this Quick Start

This quick start is designed to help you quickly install and connect a basic mini-PLC-2 family programmable controller system. Use this guide if you are knowledgeable about mini-PLC-2 family products but may not have used one or more of the products for a period of time. The information we provide is geared to “jog your memory.”

### What You Need to Do

- step 1** *Install I/O chassis*
- a** *Configure I/O chassis (page 1-1)*
  - b** *Ground I/O chassis (page 1-2)*

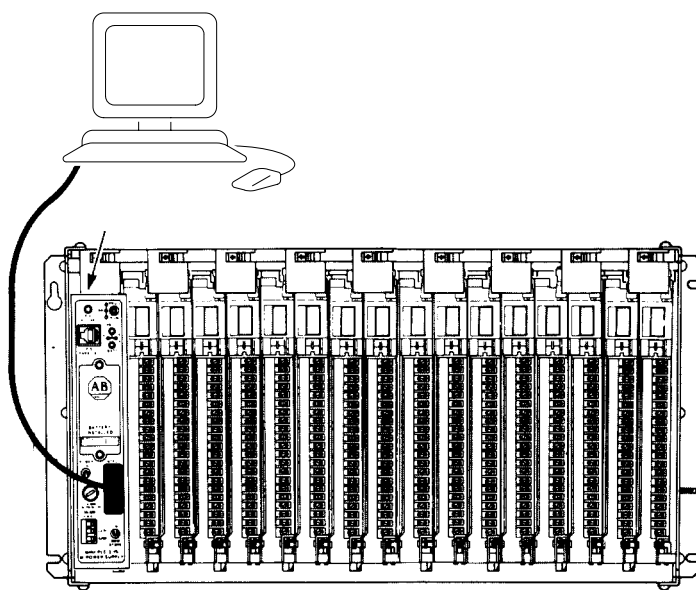


For more information, see the Mini-PLC-2/02, -2/16, -2/17 Processor User Manual, publication 1772-6.5.8.

- step 2** *Install I/O*
- a** *Install field wiring arms (page 2-1)*
  - b** *Install I/O modules (page 2-1)*

- step 3** *Install Memory Module*
- a** *Install backup battery (page 3-1)*
  - b** *Install memory module (page 3-1)*

- step 4** *Install Processor and Power Supply*
- a** *Install processor (page 4-1)*
  - b** *Install power supply (page 4-1)*



- step 5**     *Make power connections*
- a**     *Connect power to processor*  
              *(page 5-1)*
- b**     *Connect power supply*  
              *(page 5-1)*
- step 6**     *Connect programming terminal*  
              *(page 6-1)*

## System Components used in this Quick Start

Product name:	Catalog number:
I/O chassis	1771-A1B, -A2B, -A3B, -A3B1, -A4B, -A1, -A2, -A4
power supply	1771-P3, -P4, -P5, -P7
I/O modules	1771 product line
programming terminal	1770-T3 series C, IBM PC-compatible computer using 6200 series or AI PLC-2 programming software
processors	1772-LZ, -LZP, -LX, -LXP, -LW, -LWP, -LS, -LSP
memory modules	1775-MJ, 1772-MJ

## If You Need Help ...



If you need additional assistance in installing or connecting your mini-PLC-2 family programmable controller system, call 1-800-9-NEWLIT to order one of the publications suggested below or contact your Allen-Bradley service representative.

Publication title:	Publication number:
Mini-PLC-2/15 Programmable Controllers Assembly and Installation Manual	1772-6.6.1
Mini-PLC-2 Programmable Controllers Assembly and Installation Manual	1772-6.6.3
Mini-PLC-2/05 Programmable Controllers Assembly and Installation Manual	1772-6.6.6
Mini-PLC-2/05 Programmable Controllers Assembly and Installation Manual Documentation Update	1772-6.6.6-DU1
Mini-PLC-2/02, -2/16, -2/17, Processor User Manual	1772-6.5.8
1772-Mini-PLC-2/05 Processor Programming and Operations Manual	1772-6.8.6
Mini-PLC-2 Programmable Controllers Programming and Operations Manual	1772-6.8.4
Mini-PLC-2/15 Programmable Controllers Programming and Operations Manual	1772-6.8.2

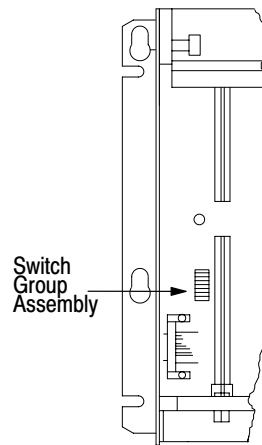
# Allen-Bradley PLCs

## Configure and Ground I/O Chassis

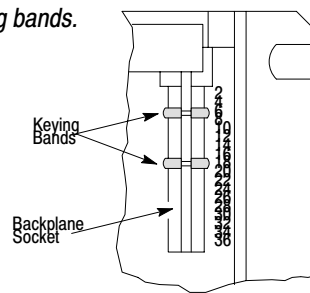
### Configure I/O Chassis

**a** Set the backplane switches.

See the installation manual for your particular processor for specific switch-setting information.



**b** Install keying bands.

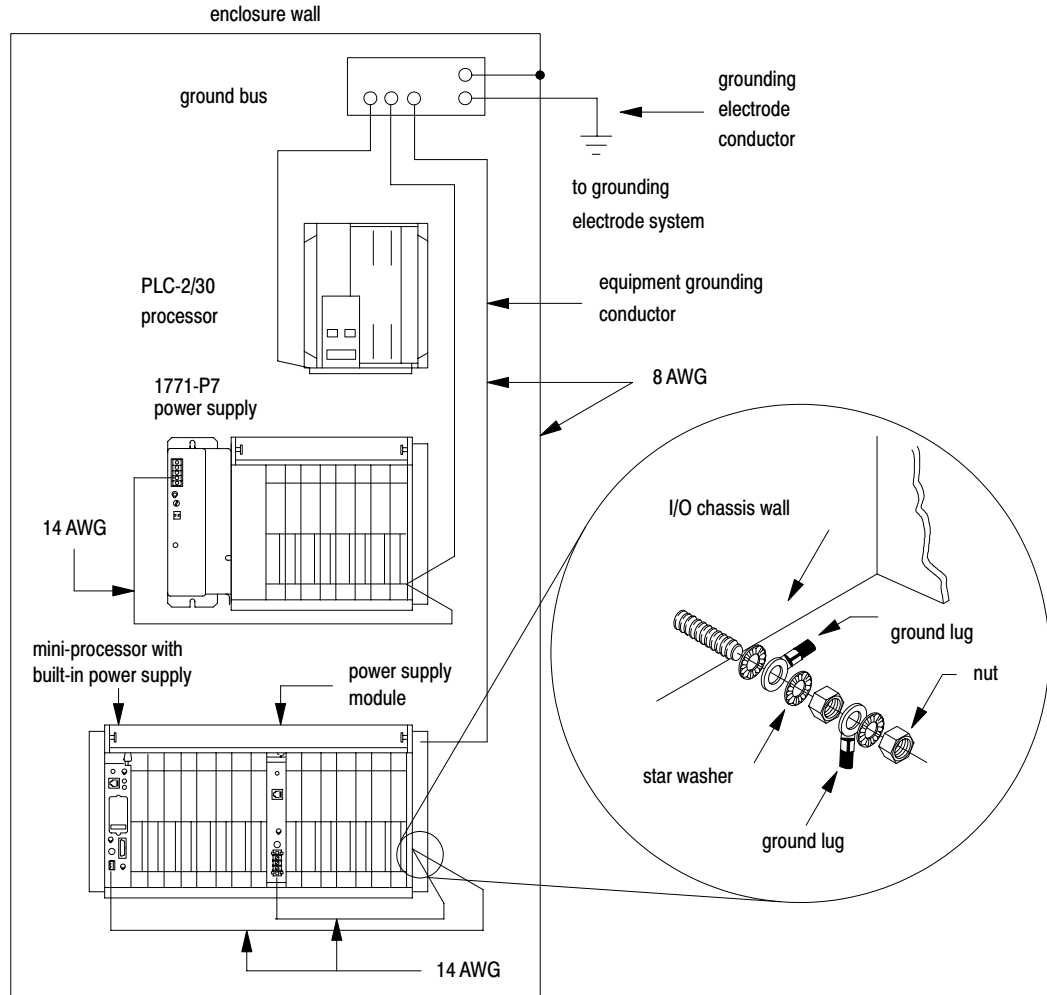


See the appropriate product data for the module you are installing to determine the proper keying positions for each module.

*Insert two keying bands in the top backplane connectors of the I/O chassis. For the processor, place one keying band in the left-most slot between pins 46 and 48 and 54 and 56.*

10170-1

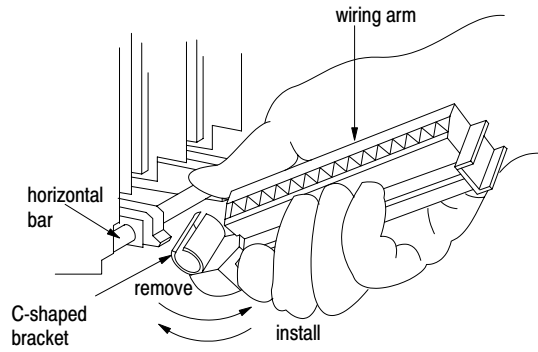
### Ground I/O Chassis



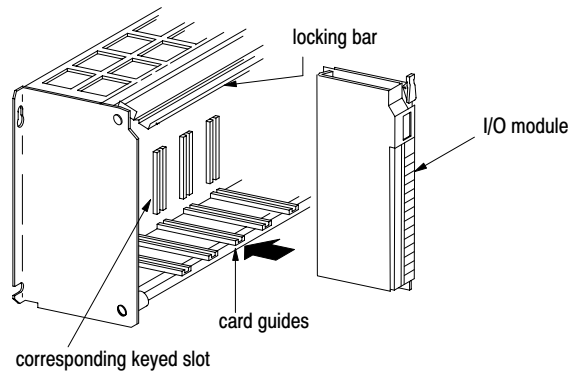
**ATTENTION:** If you use this grounding configuration, do not make connections to EQUIP GND on the power supply terminal strips or ground loops could result.

## Install I/O Modules

### Install Field Wiring Arms



### Install I/O Modules



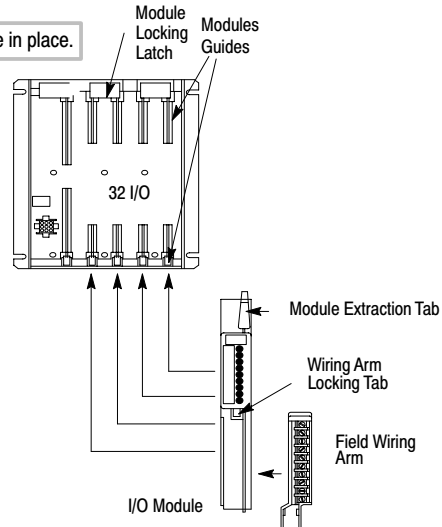




Specific wiring information for each type of I/O module is contained in the product data publication for that specific module. Therefore, refer to the appropriate product data publication when you follow these steps.

**a** *Install each I/O module.*

Use the locking latch to secure the module in place.



**b** *Snap the field wiring arms for each I/O module onto the horizontal bar of the I/O chassis and connect it to the module.*

**c** *Remove the terminal cover from each wiring arm and connect the wires between the I/O devices and the wiring arm terminals.*

**d** *Connect the power and ground wires.*

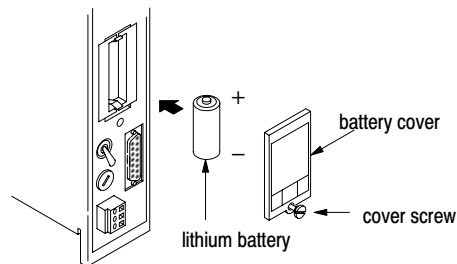
**e** *Use tie wraps to gather the wires at each wiring arm, then bundle the wires so the arms can pivot freely.*

**f** *Replace the terminal covers and label the terminal status indicators appropriately.*

# Allen-Bradley PLCs

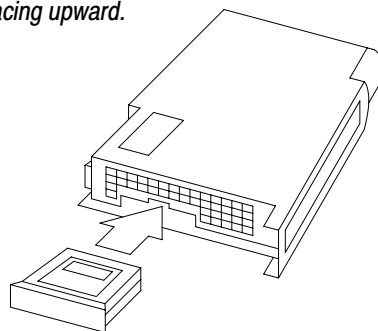
## Install Backup Battery and Memory Module

### Install Backup Battery



### Install Memory Module

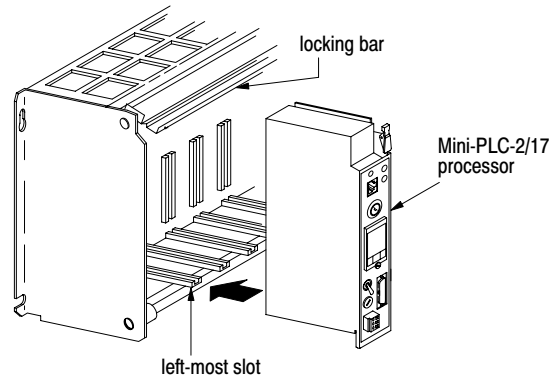
- a** Move the chassis POWER switch to the OFF position and turn off the incoming power source to the processor and chassis.
- b** Unplug the power cable and lift the latch of the I/O chassis that holds your processor, then slide the processor out of the chassis.
- c** Place the processor on a clean, flat surface with the bottom of the module facing you.
- d** Position and insert the memory module in the memory module slot with its label facing upward.



- d** Slide the processor into the I/O chassis and secure the latch.
- e** Connect the power cable and reapply power to the processor.

## Install Processor and Power Supply

### Install Processor



### Install Power Supply

If you have a processor with a power supply, and do not need additional current for your I/O modules, skip this step. If you need additional current, use an ac powered supply because we recommend that you use the same input voltage source for two paralleled power supplies.

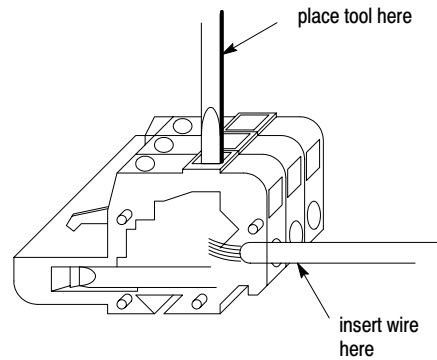


**ATTENTION:** Do not parallel a 1771-P5 power supply and a processor with a power supply because of power-up and power-down timing difference.

## Connect Power to the Processor or Power Supply

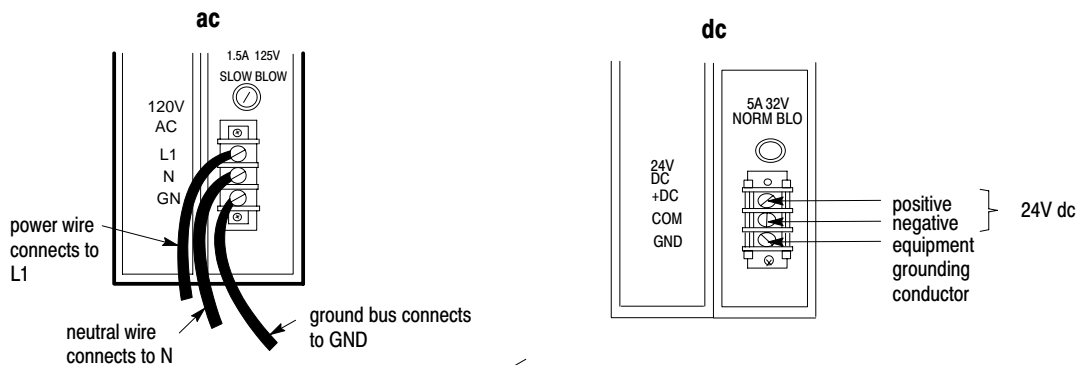
### Connect Power to Processor

- a Strip 3/32 inch insulation from the end of the wire.
- b Insert screwdriver into the square opening and press down with it.
- c Insert the wire into the round opening on the front of the plug and remove the screwdriver.

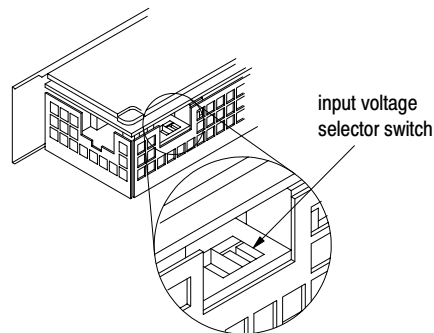


### Connect Power Supply

- a Strip 3/8 inch insulation from the end of the wire.
- b Loosen each terminal screw and place the appropriate wire under it.
- c Connect power cable to the ac or dc power supply's terminal strip.

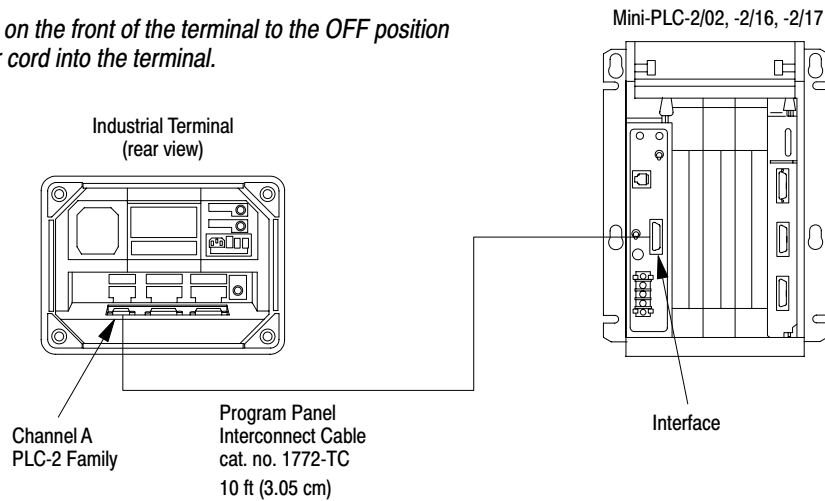


- e Set the input voltage selector switch.



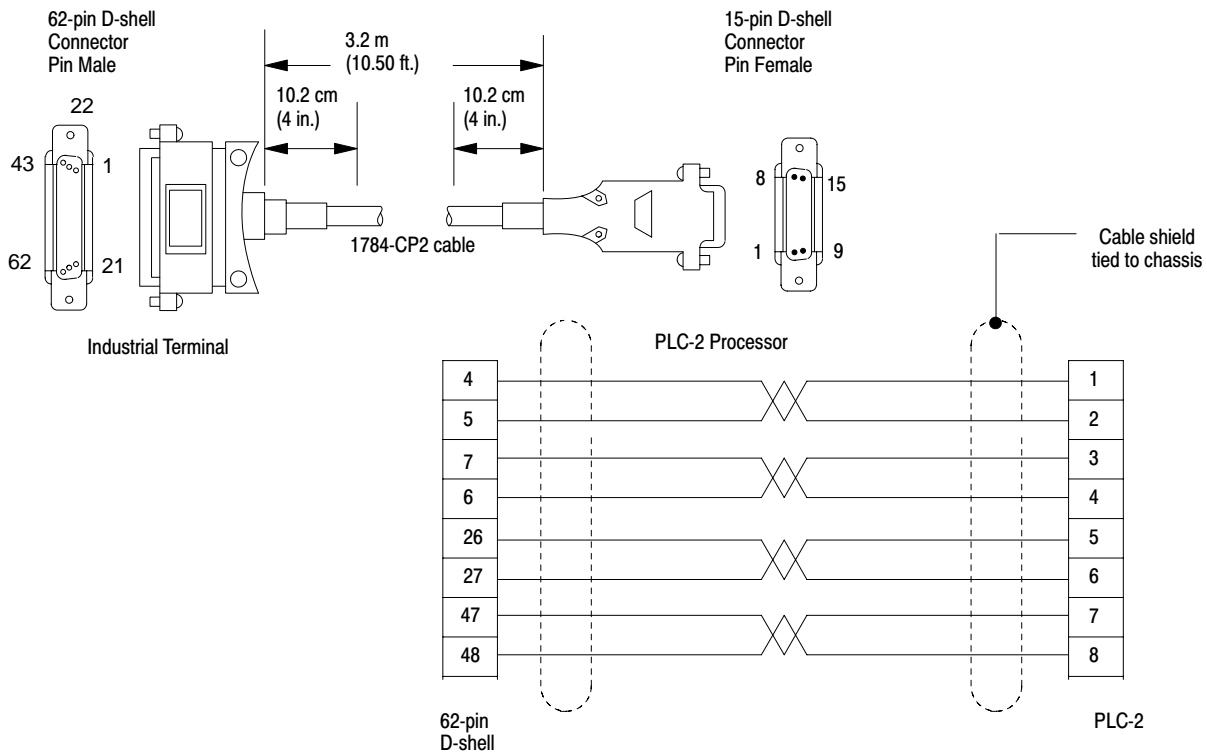
## Connect Programming Terminal

- a** Turn the power switch on the front of the terminal to the OFF position and plug the ac power cord into the terminal.

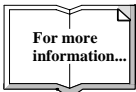


- b** If your processor has a power supply, plug the ac power cord into the ac power source.
- c** Connect one end of the 1772-TC Interconnect Cable to Channel A at the back of the terminal and connect the other end to the socket labelled INTFC at the front of the processor.
- d** Place the PLC-2 family keytop overlay onto the keyboard and turn the power switch on the front of the terminal to the ON position.
- e** Turn the power switch of the processor to the ON position and press the keys [1] [1] on the terminal keyboard.

## Connect to a Personal Computer



### Using 6200 Programming Software



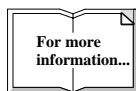
For specific information about using 6200 programming software, see the Mini-PLC-2/02, -2/16, -2/17 Processor User Manual, publication 1772-6.5.8.

Any Allen-Bradley or IBM and IBM-compatible machine can be used as a programming device using 6200 or Application Interface (AI) programming software. Before you install the PLC-2 programming software, you need the following:

- 640 KBytes of RAM as base memory (extended or expanded memory not required)
- 10 MBytes of disk space for storing files.
- Allen-Bradley DOS version 3.2x if you use a 1784-T50 or 1784-T45 programming terminal. If you use a 1784-T47 programming terminal use DOS 4.01. If you use an IBM PC/XT, IBM PC-AT, or IBM-compatible programming terminal, use DOS 3.2, 3.3, 4.x, or 5.0.
- monochrome or color graphics monitor
- installed 1785-KL, -KTP, -KT, -KT2, -KTK1 card

If your 1784-T50 has DOS version 2.11 or earlier, you must upgrade to the current version of Allen-Bradley DOS. The current version of Allen-Bradley DOS is version 3.21.

### Using AI Programming Software



For specific information about using AI programming software, see the PLC-2 Ladder Logistics Manual, publication 9399-L2man-07.05.89.

Before you install the AI PLC-3 programming software, you need the following:

- IPM PC XT, AT or compatible computer with DOS 2.1 or later
- monitor and graphics board. These display types are supported:
  - monochrome display system
  - CGA display system
  - EGA display system
  - VGA display system
- 640K RAM of system memory
- a floppy drive and a hard drive

## Specifications

### Specifications

Specifications for Mini-PLC-2 processors follow.

	Mini-PLC-2/02 Processor without a power supply (1772-LZ)	Mini-PLC-2/16 Processor without a power supply (1772-LX)	Mini-PLC-2/17 Processor without a power supply (1772-LW)
<b>Location</b>	1771 I/O chassis left most slot		
<b>Backplane Current</b>	1.25 A Requirement		
<b>Battery Back-up</b>	Self-contained lithium battery maintains memory for 1 year with no AC applied to the processor		
<b>Data Table Size</b>	48-1920 Floating words	48-3968 Floating words	48-7808 Floating words
<b>Memory Size</b> 16-bit words RAM	2K	4K	7.75K
<b>I/O Scan</b>	0.82 ms (2-slot addressing) 2.00 ms (1-slot addressing) 2.15 ms (1/2-slot addressing)		
<b>Program Scan</b>	7.5 ms/K (minimum) 12 ms (typical application program)		
<b>I/O Capacity (Typical)</b> Bulletin 1771 I/O	128	256	256-512 (maximum)
<b>Mode Selection</b>	Key switch on the front panel and from the keyboard of the 1770-T3 terminal		
<b>Environmental Conditions</b>			
Operating Temperature	0 to 60° C (32 to 140° F)		
Storage Temperature	-40 to 85° C (-40 to 185° F)		
Relative Humidity	5% to 95% (without condensation)		

# Allen-Bradley PLCs

	<b>Mini-PLC-2/02 Processor</b> with a power supply (1772-LZP)	<b>Mini-PLC-2/16 Processor</b> with a power supply (1772-LXP)	<b>Mini-PLC-2/17 Processor</b> with a power supply (1772-LWP)
	These processors have the same features as above and they also have a self-contained power supply.		
<b>Input Voltage</b>	120/220 V ac (switch selectable)		
<b>Input Voltage Range</b>	97 to 132 V ac 194 to 264 V ac		
<b>Nominal Input Power</b>	96 VA		
<b>Frequency</b>	47 to 63 Hz		
<b>Output Current to Backplane</b>	4 A		
<b>Keying (top connector)</b>	Between 46 and 48 Between 54 and 56		





Allen-Bradley, a Rockwell Automation Business, has been helping its customers improve productivity and quality for more than 90 years. We design, manufacture and support a broad range of automation products worldwide. They include logic processors, power and motion control devices, operator interfaces, sensors and a variety of software. Rockwell is one of the world's leading technology companies.

### Worldwide representation.



Argentina • Australia • Austria • Bahrain • Belgium • Brazil • Bulgaria • Canada • Chile • China, PRC • Colombia • Costa Rica • Croatia • Cyprus • Czech Republic • Denmark • Ecuador • Egypt • El Salvador • Finland • France • Germany • Greece • Guatemala • Honduras • Hong Kong • Hungary • Iceland • India • Indonesia • Ireland • Israel • Italy • Jamaica • Japan • Jordan • Korea • Kuwait • Lebanon • Malaysia • Mexico • Netherlands • New Zealand • Norway • Pakistan • Peru • Philippines • Poland • Portugal • Puerto Rico • Qatar • Romania • Russia-CIS • Saudi Arabia • Singapore • Slovakia • Slovenia • South Africa, Republic • Spain • Sweden • Switzerland • Taiwan • Thailand • Turkey • United Arab Emirates • United Kingdom • United States • Uruguay • Venezuela • Yugoslavia

Allen-Bradley Headquarters, 1201 South Second Street, Milwaukee, WI 53204 USA, Tel: (1) 414 382-2000 Fax: (1) 414 382-4444

# Allen-Bradley PLCs