



PCI 2 Axis Servo Card

(Catalog Number 1784-PM02AE)

This manual provides the instructions for installing the PCI 2 Axis Servo card (1784-PM02AE) in a PC computer using the NT operating system.

Before you install your card you should have a PC computer meeting the following minimum configuration:

- Pentium II
- 300 MHz
- 128 Mb RAM
- NT 4.0 (Service Pack 5) Operating System
- Open 32 bit Local PCI Bus slot
- Must be DMA capable and allow bus mastering on the PCI Bus.

	See page:
Overview	2
Important User Information	2
Allen-Bradley Support	3
Compliance to the European Union Directive	4
Preventing Electrostatic Discharge	6
Identifying Card Components	6
Installing the card	9
Termination Panel	11
DIN Rail	14
Cable Information	14
Wiring Example	18
Card Specifications	19

Overview

The 1784-PM02AE motion card is a two axis closed-loop servo module used with the SoftLogix5800 when servo control is required. The 1784-PM02AE is compatible with 32 bit local PCI bus slots and supports a $\pm 10V$ torque or velocity output and 4MHz quadrature encoder feedback input.

The 2 Axis Servo card is capable of supporting 2 axes sending cyclic position commands. It is designed to meet ASA System specifications and conforms to the common presentation format of communication cards.

Important User Information

Due to the variety of uses for the product described in this publication, those responsible for the application and use of this card must satisfy themselves that all necessary steps have been taken to assure that each application and use meets all performance and safety requirements, including all applicable laws, regulation codes, and standards.

The illustrations, charts, sample programs, and layout examples shown in this manual are intended solely for purposes of example. Since there are many variables and requirements associated with any particular installation, Allen-Bradley does not assume responsibility or liability (to include intellectual property liability) for actual use based upon the examples shown in this publication.

Allen-Bradley publication SGI-1.1, *Safety Guidelines for the Application, Installation, and Maintenance of Solid State Control* (available from your local Allen-Bradley office), describes some important differences between solid state equipment and electromechanical devices that should be taken into consideration when applying products such as those described in this publication.

Throughout this documentation we use notes to make you aware of safety considerations:

ATTENTION

Identifies information about practices or circumstances that can lead to personal injury or death, property damage, or economic loss.

Attention statements help to:

- Identify a hazard.
- Avoid a hazard.
- Recognize the consequences.

IMPORTANT

Identifies information that is critical for successful application and understanding of the product.

Allen-Bradley Support

Allen-Bradley offers support services worldwide, with over 75 Sales/Support Offices, 512 authorized Distributors and 260 authorized Systems Integrators located throughout the United States alone, plus Allen-Bradley representatives in every major country in the world.

Local Product Support

Contact your local Allen-Bradley representative for:

- sales and order support
- product technical training
- warranty support
- support service agreements

Technical Product Assistance

If you need to contact Allen-Bradley for technical assistance, please review the information in this manual first. Then call your local Allen-Bradley representative. For the quickest possible response, we recommend that you have the catalog numbers of your products available when you call. See the *Related Documentation* section of this chapter for the publication numbers of other manuals that can help with this product.

The Rockwell Automation Technical Support number is:

1-603-443-5419

On the Web

For information about Allen-Bradley, visit the following World Wide Web site:

<http://www.ab.com/>

Compliance to the European Union Directive

If this product bears the CE marking, it is approved for installation within the European Union and EEA regions. It has been designed and tested to meet the following directives.

EMC Directive

This product is tested to meet Council Directive 89/336/EEC Electromagnetic Compatibility (EMC) and the following standards:

- EN 50081-2EMC - Generic Emission Standard, Part 2 - Industrial Environment
- EN 50082-2EMC - Generic Immunity Standard, Part 2 - Industrial Environment

This product is intended for use in an industrial environment.

Heavy Industrial Environment

The PCI Servo card is intended for use in a heavy industrial environment and is not to be used in a domestic or office environment. The card must be installed in a suitable industrial computer.

Low Voltage Directive

This product is tested to meet Council Directive 73/23/EEC Low Voltage, by applying the safety requirements of EN 60204 Safety of machinery - Electrical equipment of machines.

For specific information required by EN 60204, see the appropriate sections in this publication, as well as the following Allen-Bradley publications:

- Industrial Automation Wiring and Grounding Guidelines, publication 1770-4.1
- Automation Systems Catalog, publication B111

This equipment is classified as open equipment and must be installed (mounted) in an enclosure during operation as a means of reducing user exposure to hazards.

Preventing Electrostatic Discharge

ATTENTION

This card is highly sensitive to electrostatic discharge (ESD). Electrostatic discharge may be present whenever you handle the card. When you handle the card without any ESD protection you can cause internal circuit damage that may not be apparent when you install or initially use the card.

Follow these guidelines when you handle the 2 Axis Servo card:

- Before you handle the card, touch a grounded object to discharge potential static.
- Wear an approved grounding wrist strap.

- Do not touch the connector or connector pins on the 2 Axis Servo card.
- If the card is not in use, store it in the anti-static clamshell that the card was shipped in.

IMPORTANT Remember, a computer with AC power disconnected is *not* a grounded object.

Identifying Card Components

The following diagrams provide two views of the 1784-PM02AE card. The first diagram is a side view which shows the orientation of the card and the connection to the PCI Bus. The second diagram is a front view which shows the position of the cable connection, the LED, and the Card Identification Switch.

Figure 1 Side View of the 1784-PM02AE Card

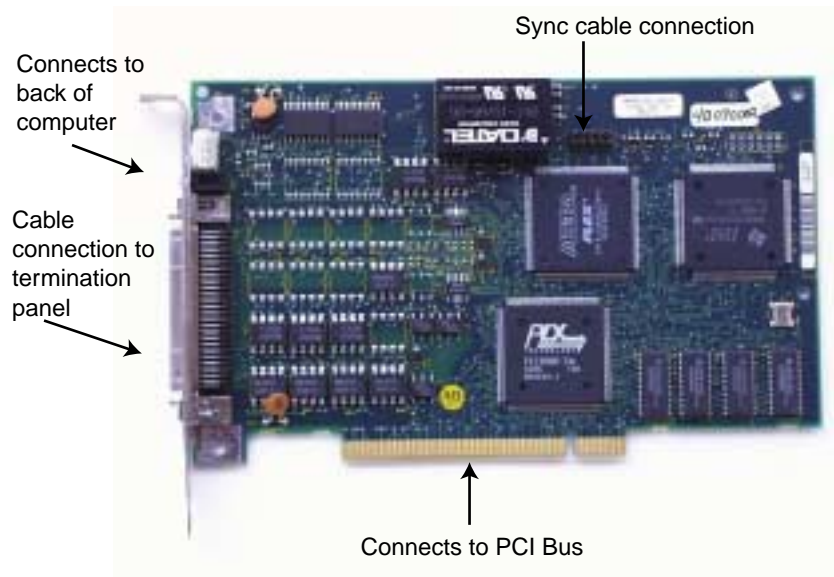
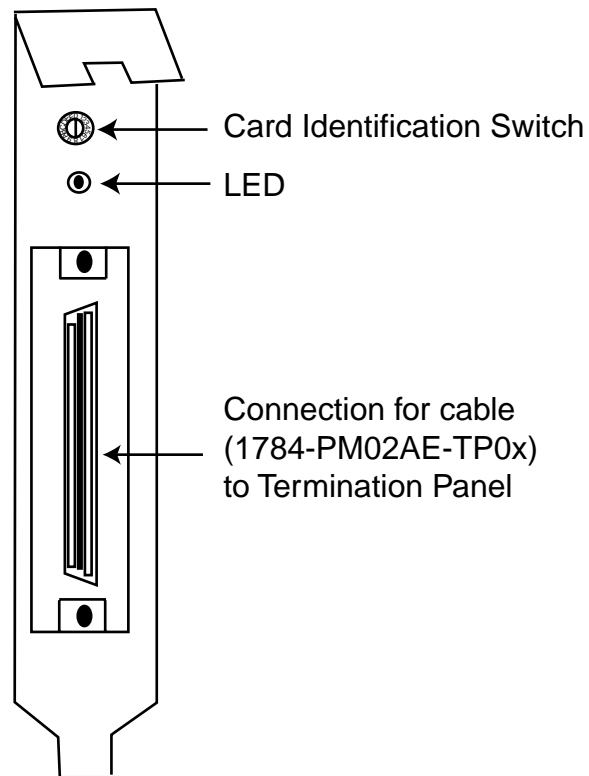


Figure 2 Front View of the 1784-PM02AE Card



Card Identification Switch

The Card Identification Switch associates the 1784-PM02AE cards with slots in the virtual backplane. Each card has a specific slot identification which is listed by the backplane monitor. The virtual backplane monitor assigns installed 1756-PM02AE card(s) to virtual backplane slot(s). The switch setting defines the card/slot association. This facilitates replacement of a card. It is not necessary to reconfigure a new card as long as its switch setting matches that of the replaced card.

It is a slotted rotary switch with 16 switch positions – 0 through 9 and A through F. The switch is accessible by a flathead screwdriver through the PCI slot at the rear of the computer.

LED

There is one bi-color LED to indicate the status of the Servo card. It is visible through the PCI slot at the rear of the computer.

At start up the LED goes through a sequence of color changes:

- At power up LED is Green.
- When SoftLogix driver starts the LED turns Red.
- At download of a valid program the LED is Green.

During regular operation the LED is GREEN when the Servo card is functioning normally and RED when a fault situation occurs.

Servo Card to Termination Panel Connection

The connection on the back of the Servo card accepts a straight 68 way Mini D shielded plug with a spring latch.

Installing the Card

Before you install the card, be certain you know how to:

- Install hardware in your computer.
- Configure the computer's options such as: disable cache memory, memory manager, and shadowing of memory, before you install the card.
- Enable bus mastering and DMA.

Consult your computer's documentation for specific information.

To install the card, you need:

- Access to the computer's expansion slots.
- Have either a Phillip-head or a flat-head screwdriver.
- Administration rights to NT.

Access the Computer's PCI Local Bus Expansion Slots

To install the card, you must access the computer's PCI local bus expansion slots. Follow these general steps, or refer to your computer's user guide for instructions on how to:

1. Turn off the power to the host computer with the power switch.
2. Remove the computer's cover.
3. Select a vacant PCI local bus expansion slot. Make sure the vacant slot is on the main PCI Bus.
4. Remove the slot's expansion cover. Remove the screw on the back (rear bracket) of the computer.

Insert the Card

To insert the card inside the computer:

1. Follow the card handling instructions on page 6.
2. Push the card's PCI connection into the PCI Bus.

If you have additional cards to install, repeat steps 1 and 2 for each card. After the cards (up to four) are installed, use the Sync cable (1784-PMCSY4) to connect all of the cards.

3. Replace and tighten the expansion slot screw.
4. Turn on the computer to make sure it comes up correctly.

If the computer	then:
powers up	go to step 5.

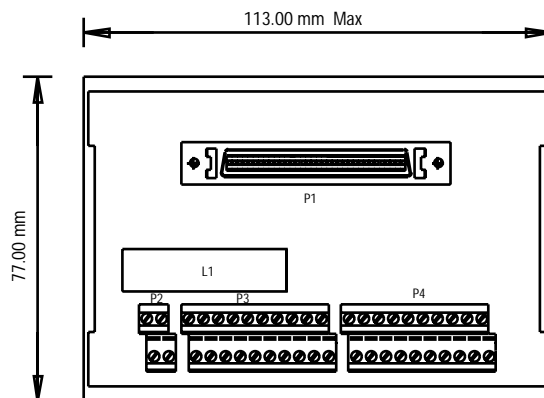
If the computer	then:
hangs up	<ul style="list-style-type: none"> • you probably have a memory or I/O conflict. • You should remove all other cards and try again. <p>If you continue to experience difficulty, call Tech Support.</p>

5. Replace the computer's cover (after computer boots up correctly).
6. Configure the PC as per the instructions in the SoftLogix manual (Publication number 1784-UM003A-EN-P).

Termination Panel

The termination panel is used in conjunction with the 1784-PM02AE card to facilitate the wiring of drives and encoders for use with the card. Because the card is installed inside the PC computer cabinet it would be difficult to access for wiring drives, encoders, etc. A termination panel, mounted separately from the card, allows for easier access to the two axis terminals.

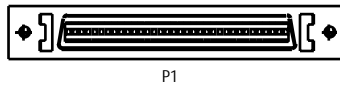
Figure 3 1784-PM02AE-TP0x Termination Panel



P1

The connection marked P1 is for the cable from the PCI 2 Axis Servo card. It accepts a straight 68 way Mini D shielded plug with a spring latch. Through this connection the termination panel is connected to the PCI card by a 1 meter or 3 meter premade cable. The cable is shipped with the termination panel and shares its catalog number, 1784 - PM02AE-TP0x where x represents the length of the cable.

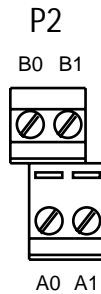
Figure 4 1784-PM02AE-TP0x Cable Connection



P2

The P2 connection is for wiring the encoder power. Those marked B0 and B1 are for the Encoder power and those marked A0 and A1 are the 0 volt connections.

Figure 5 P2 Connector

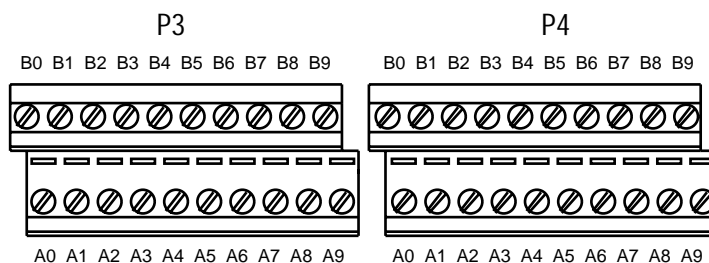


P2	Function	P2	Function
A0	Encoder 0V	B0	Encoder Power
A1	Encoder 0V	B1	Encoder Power

P3 and P4

The P3 and P4 receptacles are for wiring the axes. P3 is Axis 0 and P4 is Axis 1.

Figure 6 P3 and P4 Connectors

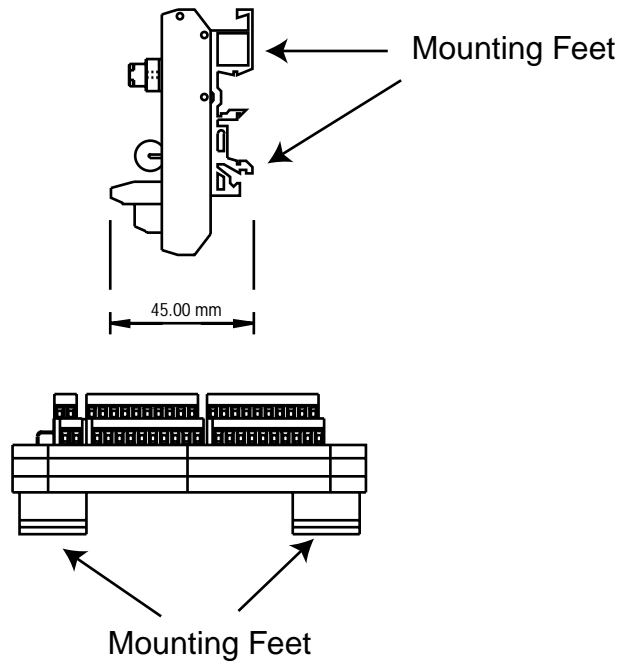


P3 & P4	Function	P3 & P4	Function
A0	DRVFLT	B0	+CHA
A1	Home Area	B1	-CHA
A2	Reg 1	B2	+CHB
A3	Reg 2	B3	-CHB
A4	OK	B4	+CHZ
A5	IN_COM	B5	-CHZ
A6	Enable+	B6	Screen
A7	Enable-	B7	+Out
A8	Encoder 0V	B8	-Out
A9	Chassis	B9	Encoder Pwr

DIN Rail Assembly

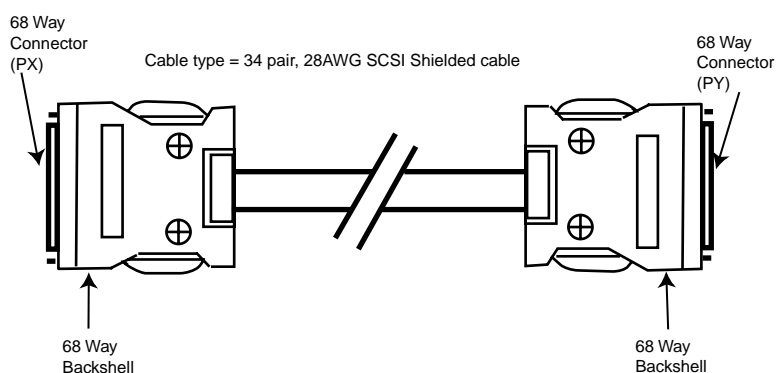
The termination panel mounts to a DIN rail using the mounting feet on the back of the panel.

Figure 7 DIN Rail Assembly for Termination Panel



Cables

The 1784-PM02AE card is connected to the termination panel via a premade 34 pair, 28 AWG SCSI shielded cable. The cable is available in lengths of 1 meter and 3 meters.

Figure 8 1784-PM02AE-TP0x Cable

Catalog Numbers for premade Servo card to termination panel cables.

Allen-Bradley Catalog Number	Length in meters
1784-PM02AE-TP01	1m
1784-PM02AE-TP03	3m

Pinouts for Cable 1784-PM02AE-TP0x

Pin (PX)	Pin Pair Number	Pin Description	Pin (PY)
1	Pair 1	+CH A Feedback Input Axis 0	1
35		-CH A Feedback Input Axis 0	35
2	Pair 2	+CH B Feedback Input Axis 0	2
36		-CH B Feedback Input Axis 0	36
3	Pair 3	+CH Z Feedback Input Axis 0	3
37		-CH Z Feedback Input Axis 0	37
4	Pair 4	+OUT, Axis 0	4
38		-OUT, Axis 0	38
5	Pair 5	DRVFLT, Axis 0	5
49		HOME, Axis 0	49

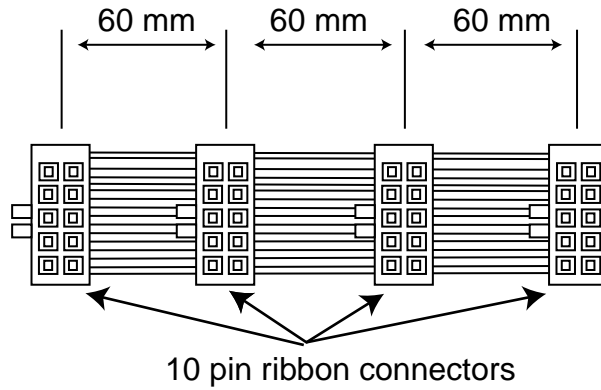
Pin (PX)	Pin Pair Number	Pin Description	Pin (PY)
6	Pair 6	REG1, Axis 0	6
40		REG2, Axis 0	40
7	Pair 7	+ENABLE, Axis 0	7
41		-ENABLE, Axis 0	41
8	Pair 8	OK 1	8
42		IN_COM, Axis 0	42
9	Pair 9	IN_COM, Axis 0	9
43		IN_COM, Axis 1	43
10	Pair 10	+CH A Feedback Input Axis 1	10
44		- CH A Feedback Input Axis 1	44
11	Pair 11	+CH B Feedback Input Axis 1	11
45		-CH B Feedback Input Axis 1	45
12	Pair 12	+CH Z Feedback Input Axis 1	12
46		-CH Z Feedback Input Axis 1	46
13	Pair 13	+OUT, Axis 1	13
47		-OUT, Axis 1	47
14	Pair 14	DRVFLT, Axis 1	14
48		HOME, Axis 1	48
15	Pair 15	REG1, Axis 1	15
49		REG2, Axis 1	49
16	Pair 16	+ENABLE, Axis 1	16
50		-ENABLE, Axis 1	50
17	Pair 17	OK 2	17
51		IN_COM, Axis 1	51

Sync Cable

Up to four (4) 1784-PM02AE cards may be installed in a single computer provided there are enough PCI Bus slots available. A sync cable is required to keep the cards synchronized. This is a ribbon cable with four connectors that fit to the cards.

Publication 1784-IN005A-EN-P- November 2000

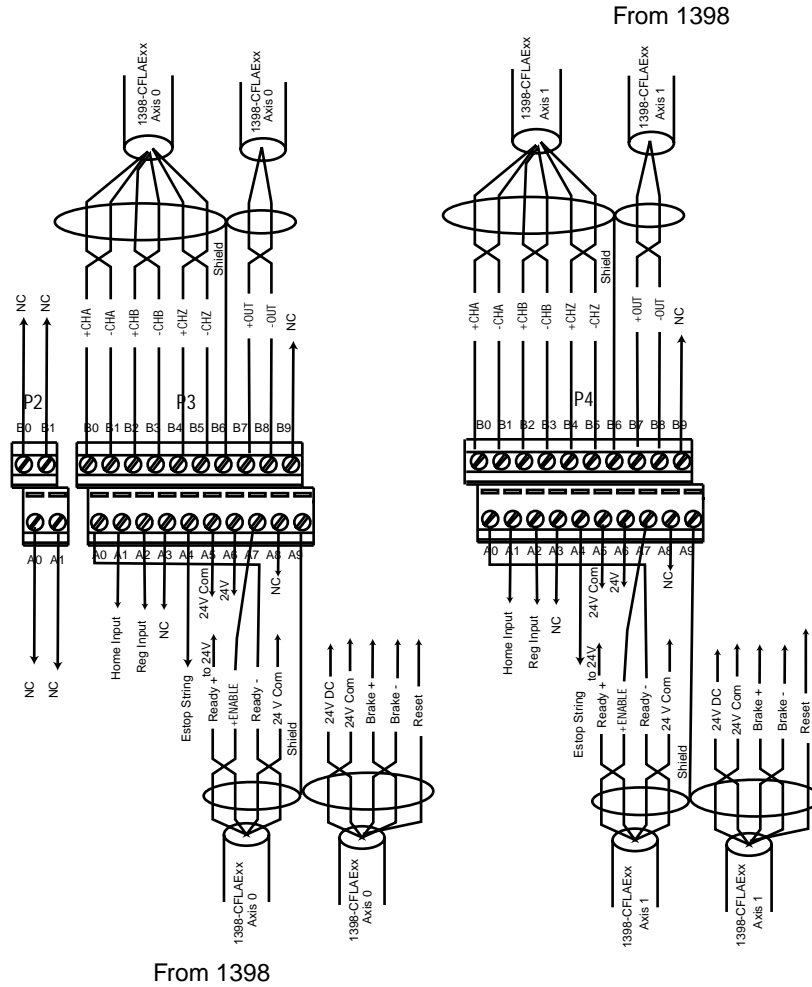
Figure 9 1784-PMCSY4 Cable



Wiring Example



This is a general wiring example of the 1398 to the termination panel.

Figure 10 Wiring from a 1398 to the Termination Panel



Card Specifications

Number of Nodes	2 axes maximum
Card location	PCI Bus slot of PC
Card keying	Electronic
Power dissipation	5W (1A @ 5V from PC)
Encoder input	
Type	Incremental AB quadrature with marker
Mode	4X quadrature
Rate	4 MHz maximum
Electrical interface	Optically isolated 5V differential
Voltage range	
On state	3.4V to 5.0V
Off state	0V to 1.8V
Input impedance	531 Ohms differential
Registration inputs	
Type	Optically isolated, current sinking input
24V input voltage	+24V dc nominal
Maximum	26.4V
Minimum on	18.5V
Maximum off	3.5V
Input impedance	
24V input	1.2 kOhms
Response time (position latched)	1 μ s
Drive Faults and Home Inputs	
Type	Optically isolated, current sinking input
Input voltage	+24V dc nominal
Maximum	26.4V
Minimum on	17.0V
Maximum off	8.5V
Input impedance	7.5 kOhms
(continued)	
Servo output	
Type	Analog voltage
Isolation	200 kOhms
Voltage range	\pm 10V
Voltage resolution	16 bits
Load	5.6 kOhms resistive minimum
Maximum offset	25 mV
Gain error	\pm 4%

OK and Enable Outputs Type Operating voltage Maximum Operating current	Solid-state isolated relay contacts +24V dc nominal (Class 2 source) 26.4V 75 mA
Environmental Specifications Operational Temperature Storage temperature Relative Humidity	0 to 40° C (32 to 104° F) -40 to 85°C (-40 to 185°F) 30 to 95%
Shock Operating Non-operating	10G 30G
Vibration Operating Non-operating	1G, 5Hz - 500Hz 2G, 5Hz - 500Hz
Agency certification (when product or packaging is marked)	<p>  UL us UL508 – Industrial Control Equipment </p> <p>  marked for all applicable directives </p>

ControlLogix is a trademark of Allen-Bradley Company, Inc., a Rockwell International Company.

Pentium is a trademark of Intel

NT is a trademark of Microsoft

Reach us now at www.rockwellautomation.com

Wherever you need us, Rockwell Automation brings together leading brands in industrial automation including Allen-Bradley controls, Reliance Electric power transmission products, Dodge mechanical power transmission components, and Rockwell Software. Rockwell Automation's unique, flexible approach to helping customers achieve a competitive advantage is supported by thousands of authorized partners, distributors and system integrators around the world.

Americas Headquarters, 1201 South Second Street, Milwaukee, WI 53201-2496, USA, Tel: (1) 414 382-2000, Fax: (1) 414-382-4444
European Headquarters SA/NW, Boulevard du Souverain 36, 1170 Brussels, Belgium, Tel: (32) 2 663 0600, Fax: (32) 2 663 0640
Asia Pacific Headquarters, 27/F Citicorp Centre, 18 Whitfield Road, Causeway Bay, Hong Kong, Tel: (852) 2887 4788, Fax: (852) 2508 1846

