

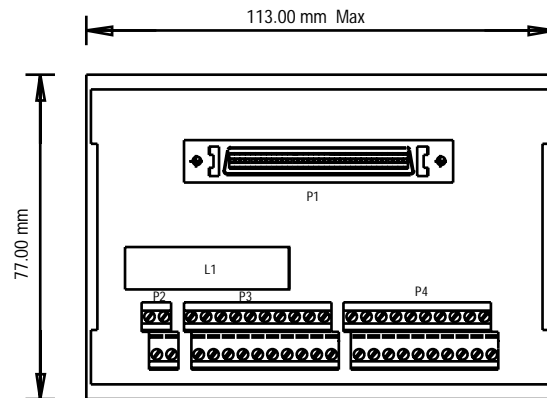
## 2 Axis Servo Card Termination Panel (Catalog Number 1784-PM02AE-TP0x)

The termination panel is used in conjunction with the 1784-PM02AE card to facilitate the wiring of drives and encoders for use with the card. Because the card is installed inside the PC computer cabinet it would be difficult to access for wiring drives, encoders, etc. A termination panel, mounted separately from the card, allows for easier access to the two axis terminals.

### Identifying Termination Panel Components

The following diagram identifies the connection for the cable to the PCI 2 Axis Servo Card and the connections for wiring two axes.

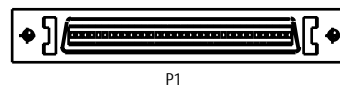
Figure 1 1784-PM02AE-TP0x Termination Panel



### P1

The connection marked P1 is for the cable from the PCI 2 Axis Servo card. It accepts a straight 68 way Mini D shielded plug with a spring latch. This connection is where the 1 meter or 3 meter premade cable attaches to connect the termination panel to the PCI card. The cable is packaged with the termination panel and shares the same catalog number 1784-PM02AE-TP0x where x represents the length of the cable.

Figure 2 1784-PM02AE-TP0x Cable Connection



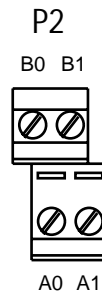
## P2

The P2 connection is for wiring the encoder power. Those marked B0 and B1 are for the Encoder power and those marked A0 and A1 are the 0 volt connections.

**IMPORTANT**

External encoder power should not be connected if the encoder is powered by another device.

Figure 3 P2 Connector

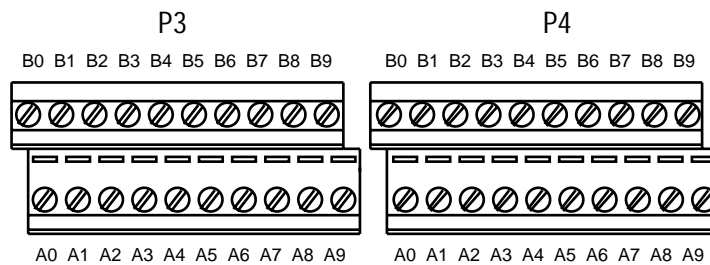


P2	Function	P2	Function
A0	Encoder 0V	B0	Encoder Power
A1	Encoder 0V	B1	Encoder Power

## P3 and P4

The P3 and P4 receptacles are for wiring the axes. P3 is Axis 0 and P4 is Axis 1.

Figure 4 P3 and P4 Connectors

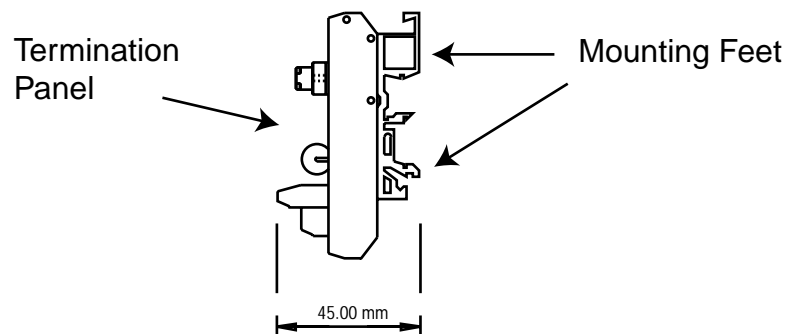


P3 & P4	Function	P3 & P4	Function
A0	DRVFLT	B0	+CHA
A1	Home Area	B1	-CHA
A2	Reg 1	B2	+CHB
A3	Reg 2	B3	-CHB
A4	OK	B4	+CHZ
A5	IN_COM	B5	-CHZ
A6	Enable+	B6	Screen
A7	Enable-	B7	+Out
A8	Encoder 0V	B8	-Out
A9	Chassis	B9	Encoder Pwr

## Mounting the Termination Panel

The termination panel mounts to a DIN rail using the mounting feet on the back of the panel. The termination panel cable comes in two lengths; 1 meter and 3 meters. Therefore the termination panel can be mounted no more than 3 meters from the back of the PC containing the PCI 2 Axis Servo Card.

Figure 5 DIN Rail Assembly for Termination Panel

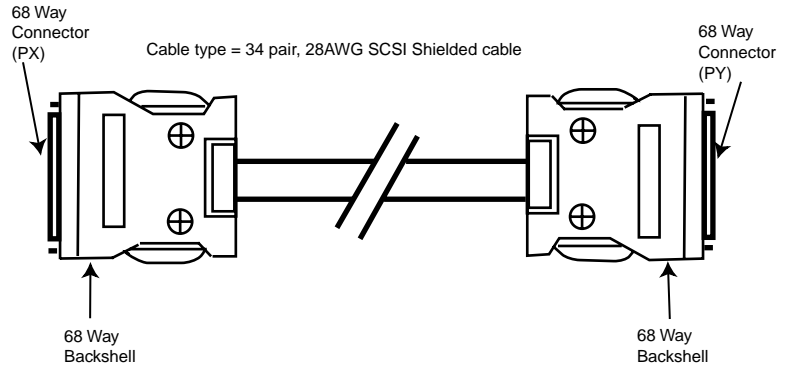


## Termination Panel Cable

The 1784-PM02AE card is connected to the termination panel via a premade 34 pair, 28 AWG SCSI shielded cable. The cable is available in lengths of 1 meter and 3 meters. The cable comes shipped with the termination panel and its catalog number is tied to the termination panel where the ending x stands for the cable length of either 1 meter or 3 meters.

# Spare Allen-Bradley Parts

Figure 6 1784-PM02AE-TP0x Cable



Catalog Numbers for premade Servo card to termination panel cables.

Allen-Bradley Catalog Number	Length in meters
1784-PM02AE-TP01	1m
1784-PM02AE-TP03	3m

Pinouts for Cable 1784-PM02AE-TP0x

Pin (PX)	Pin Pair Number	Pin Description	Pin (PY)
1	Pair 1	+CH A Feedback Input Axis 0	1
35		-CH A Feedback Input Axis 0	35
2	Pair 2	+CH B Feedback Input Axis 0	2
36		-CH B Feedback Input Axis 0	36
3	Pair 3	+CH Z Feedback Input Axis 0	3
37		-CH Z Feedback Input Axis 0	37
4	Pair 4	+OUT, Axis 0	4
38		-OUT, Axis 0	38
5	Pair 5	DRVFLT, Axis 0	5
49		HOME, Axis 0	49
6	Pair 6	REG1, Axis 0	6
40		REG2, Axis 0	40
7	Pair 7	+ENABLE, Axis 0	7
41		-ENABLE, Axis 0	41
8	Pair 8	OK 1	8
42		IN_COM, Axis 0	42

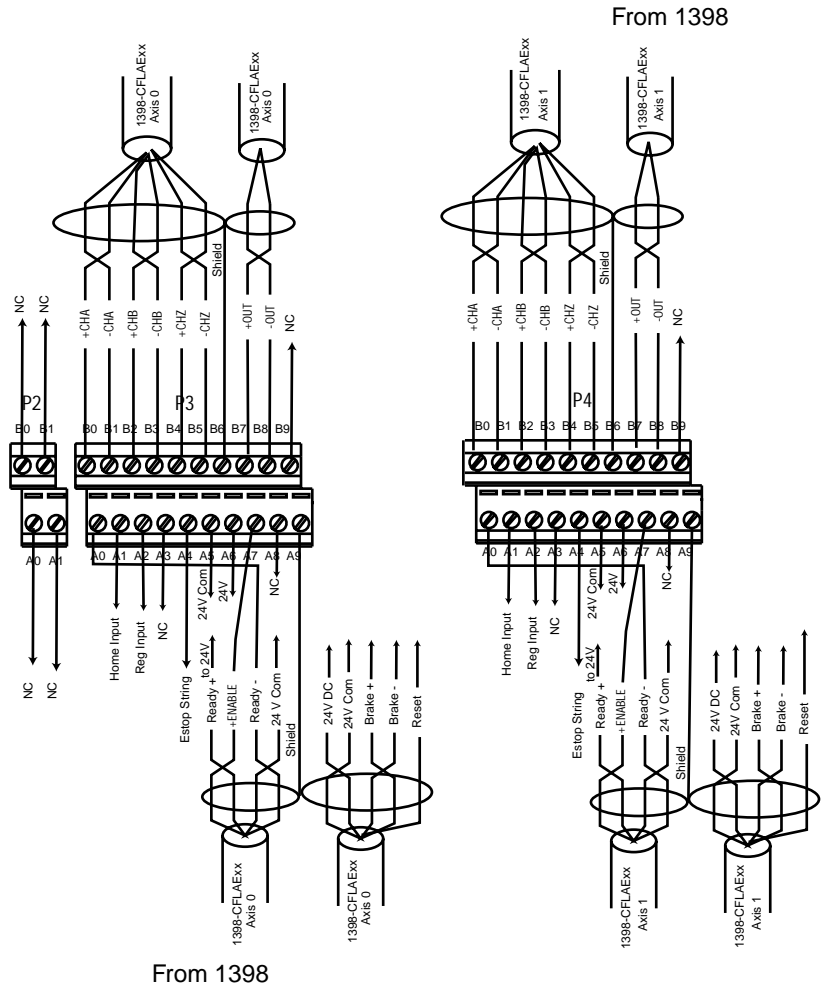
Pin (PX)	Pin Pair Number	Pin Description	Pin (PY)
9	Pair 9	IN_COM, Axis 0	9
43		IN_COM, Axis 1	43
10	Pair 10	+CH A Feedback Input Axis 1	10
44		- CH A Feedback Input Axis 1	44
11	Pair 11	+CH B Feedback Input Axis 1	11
45		-CH B Feedback Input Axis 1	45
12	Pair 12	+CH Z Feedback Input Axis 1	12
46		-CH Z Feedback Input Axis 1	46
13	Pair 13	+OUT, Axis 1	13
47		-OUT, Axis 1	47
14	Pair 14	DRVFLT, Axis 1	14
48		HOME, Axis 1	48
15	Pair 15	REG1, Axis 1	15
49		REG2, Axis 1	49
16	Pair 16	+ENABLE, Axis 1	16
50		-ENABLE, Axis 1	50
17	Pair 17	OK 2	17
51		IN_COM, Axis 1	51

# Spare Allen-Bradley Parts

# Sample Wiring Diagram

This is a general wiring example of the 1398 to the termination panel.

Figure 7 Wiring from a 1398 to the Termination Panel



**NOTES:**

**Spare Allen-Bradley Parts**

---

**Reach us now at [www.rockwellautomation.com](http://www.rockwellautomation.com)**

Wherever you need us, Rockwell Automation brings together leading brands in industrial automation including Allen-Bradley controls, Reliance Electric power transmission products, Dodge mechanical power transmission components, and Rockwell Software. Rockwell Automation's unique, flexible approach to helping customers achieve a competitive advantage is supported by thousands of authorized partners, distributors and system integrators around the world.

**Americas Headquarters**, 1201 South Second Street, Milwaukee, WI 53201-2496, USA, Tel: (1) 414 382-2000, Fax: (1) 414-382-4444

**European Headquarters SA/NV**, Boulevard du Souverain 36, 1170 Brussels, Belgium, Tel: (32) 2 663 0600, Fax: (32) 2 663 0640

**Asia Pacific Headquarters**, 27/F Citicorp Centre, 18 Whitfield Road, Causeway Bay, Hong Kong, Tel: (852) 2887 4788, Fax: (852) 2508 1846



**Rockwell  
Automation**