



Installation Instructions

1784-PCM2/B Cable

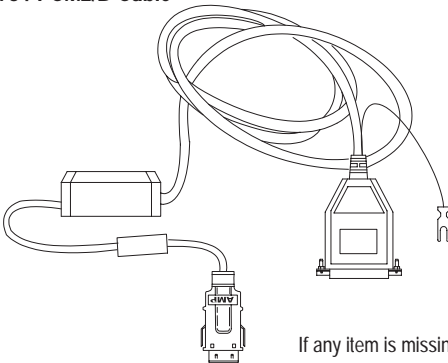
About This Document

Use this document to install the 1784-PCM2/B cable. This cable connects the 1784-PCM2/B card to a PLC-2[®] processor.

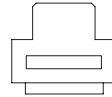
Verify Package Contents

Make sure that you have these items before you discard any packing material.

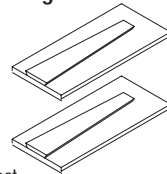
1784-PCM2/B Cable



Loopback Connector



Two Wedges



If any item is missing or incorrect, contact your local Allen-Bradley office.

19866-M

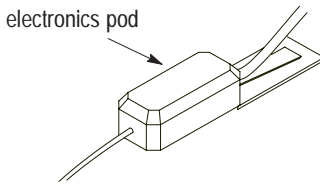
Allen-Bradley M

Attach the Wedges



ATTENTION: You must attach the wedge that is provided with your cable to the computer. This wedge provides strain relief for the cable and secures the cable to the computer so the cable is not accidentally disconnected. If you do not use the wedge and the cable disconnects, it can damage the connector on the cable and PCMC card.

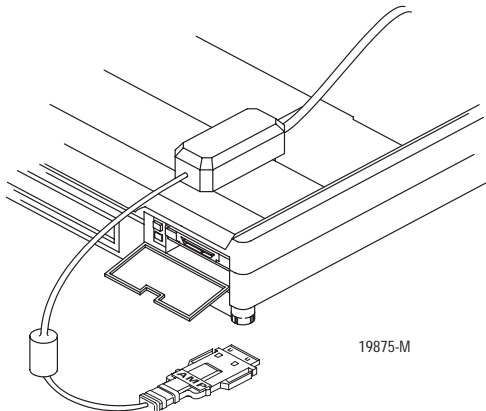
1. Slide the wedge into the slot on the bottom of the cable's electronics pod as shown below.



19875

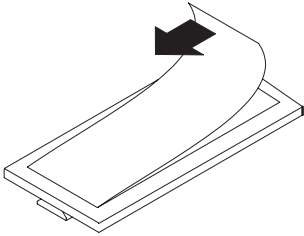
2. Position the assembly on the computer so the narrow end of the wedge is closest to the PCMCIA slot. When you find the best location for the wedge, use a pencil to mark the location on the computer.

length of cable from
connector to electronics
pod is 17.8 cm (7 in.)



19875-M

3. Separate the wedge from the electronics pod.
4. Remove the paper backing from the wedge.

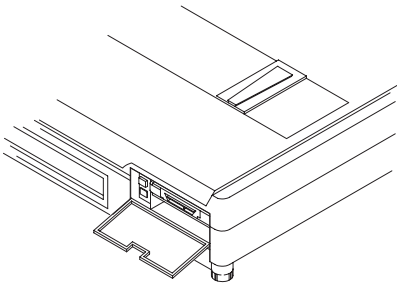


19950



ATTENTION: The adhesive on the wedge is very strong. Once you remove the protective paper and attach the wedge to the computer, you cannot remove the wedge. Be sure you are confident about the position of the wedge before you secure it.

5. Place the wedge on the computer where you marked the location.



19873

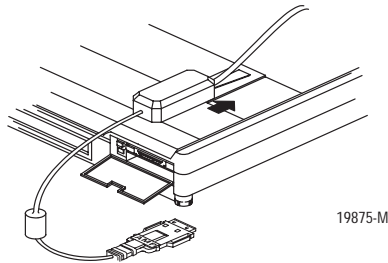
Connect the Cable

Important: When installing your 1784-PCM2/B cable, make sure you:

- securely attach the cable connector to the 1784-PCM2/B card (check this connection if you are experiencing communication problems)
- use the wedges to support the weight of the pod
- do not bump the cable or connected hardware and inadvertently disconnect the cable

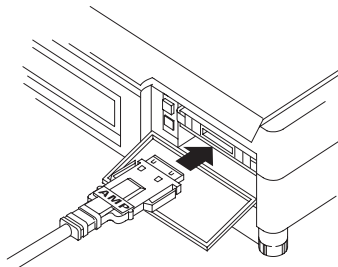
Important: To run a loopback diagnostic test, you connect the 1784-PCM2/B cable to the PCM2K card and connect the loopback connector to the 1784-PCM2/B cable.

1. Slide the cable's electronics pod onto the wedge on the computer.

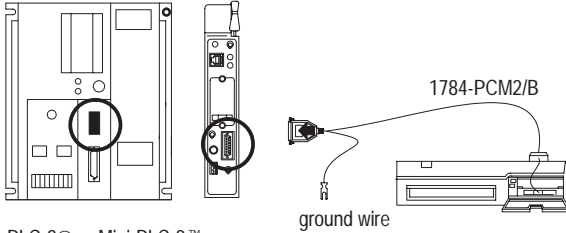


2. Attach the cable to the PCM2K card.

The silver side should face the top of the card.

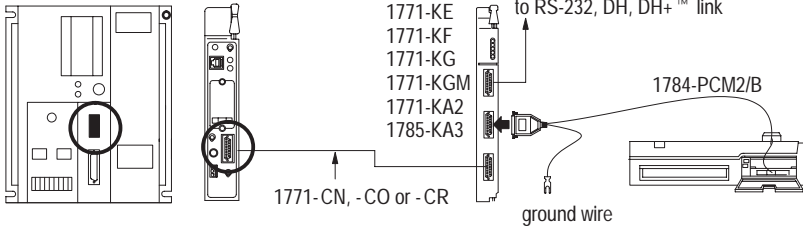


3. Attach the cable to the processor.



PLC-2® or Mini-PLC-2™
family programmable controller

19877-1



PLC-2 or Mini-PLC-2
family programmable controller

20227

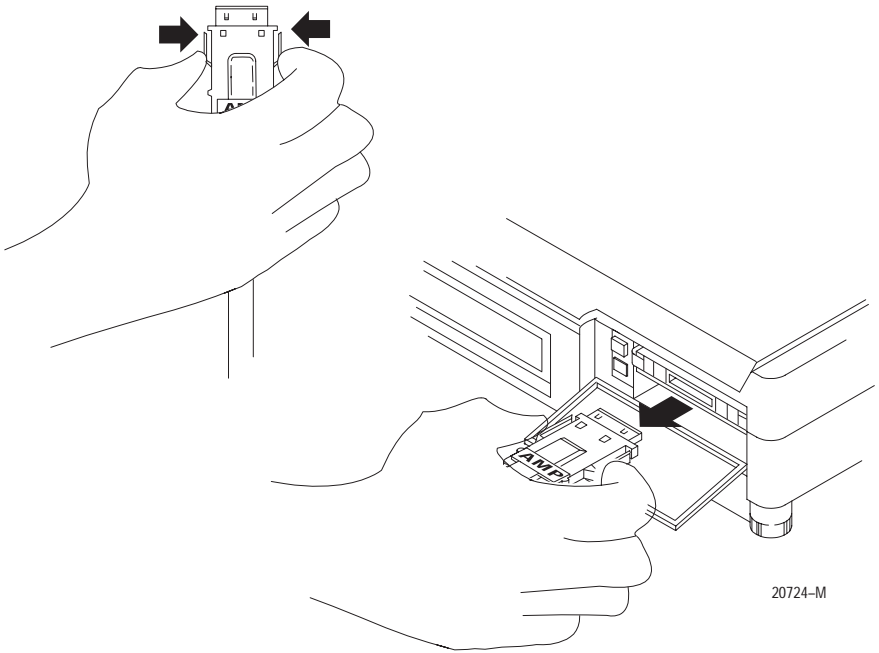
For grounding information, see the *Industrial Automation Wiring and Grounding Guidelines*, publication 1770-4.1.

4. Verify that you can go online with the PCM2 card and your application software.

Removing the Cable

If you need to remove the cable:

1. Verify all communication software has been stopped.
2. Remove the cable by gently pinching the side bars and pulling the connector toward you.



20724-M

Support Services

At Allen-Bradley, customer service means experienced representatives at Customer Support Centers in key cities throughout the world for sales, service, and support. Our value-added services include:

Technical Support

- SupportPlus programs
- telephone support and 24-hour emergency hotline
- software and documentation updates
- technical subscription services

Engineering and Field Services

- application engineering assistance
- integration and start-up assistance
- field service
- maintenance support

Technical Training

- lecture and lab courses
- self-paced computer and video-based training
- job aids and workstations
- training needs analysis

Repair and Exchange Services

- your only “authorized” source
- current revisions and enhancements
- worldwide exchange inventory
- local support

Allen-Bradley M

PLC-2 is a registered trademark of Allen-Bradley Company, Inc.

 **Rockwell** Automation

Allen-Bradley

Worldwide representation.



Argentina • Australia • Austria • Bahrain • Belgium • Brazil • Bulgaria • Canada • Chile • China, PRC • Colombia • Costa Rica • Croatia • Cyprus • Czech Republic • Denmark • Ecuador • Egypt • El Salvador • Finland • France • Germany • Greece • Guatemala • Honduras • Hong Kong • Hungary • Iceland • India • Indonesia • Ireland • Israel • Italy • Jamaica • Japan • Jordan • Korea • Kuwait • Lebanon • Malaysia • Mexico • Netherlands • New Zealand • Norway • Pakistan • Peru • Philippines • Poland • Portugal • Puerto Rico • Qatar • Romania • Russia-CIS • Saudi Arabia • Singapore • Slovakia • Slovenia • South Africa, Republic • Spain • Sweden • Switzerland • Taiwan • Thailand • Turkey • United Arab Emirates • United Kingdom • United States • Uruguay • Venezuela • Yugoslavia

Allen-Bradley Headquarters, 1201 South Second Street, Milwaukee, WI 53204 USA, Tel: (1) 414 382-2000 Fax: (1) 414 382-4444