

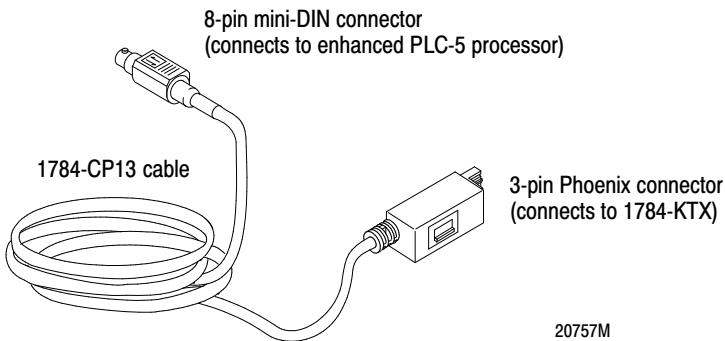


Installation Instructions

CP13 Cable (Catalog Number 1784-CP13)

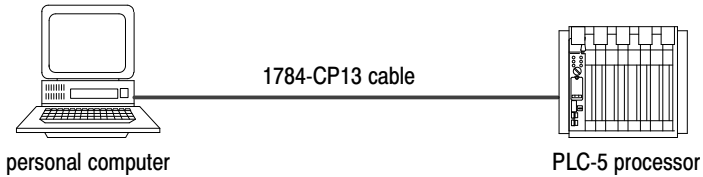
Use the CP13 cable (Figure 1) to connect an enhanced PLC-5[®] family processor to the 1784-KTX communication interface card (Figure 2).

Figure 1
1784-CP13 cable



AB Spares

Figure 2
Enhanced PLC-5 connection

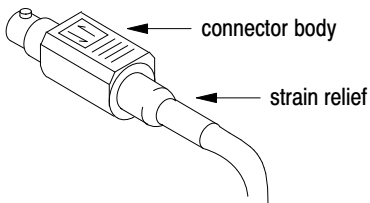


For additional information, refer to the 1784-KT_x Communication Interface Card User Manual, publication 1784-6.5.22, or the documentation for your enhanced PLC-5 processor.

Disconnecting the Locking Connector

The 8-pin mini-DIN connector locks in place. To remove the connector from its mating socket, follow these steps:

1. Hold the connector in place by the strain relief.



20757M(i)

2. Pull back on the connector body to release the lock.
3. Pull the connector from its mating socket on the processor.

Support Services

At Allen-Bradley, customer service means experienced representatives at Customer Support Centers in key cities throughout the world for sales, service, and support. Our value-added services include:

Technical Support

- SupportPlus programs
- telephone support and 24-hour emergency hotline
- software and documentation updates
- technical subscription services

Engineering and Field Services

- application engineering assistance
- integration and start-up assistance
- field service
- maintenance support

Technical Training

- lecture and lab courses
- self-paced computer and video-based training
- job aids and workstations
- training needs analysis

Repair and Exchange Services

- your only “authorized” source
- current revisions and enhancements
- worldwide exchange inventory
- local support

AB Spares

PLC-5 is a trademark of Allen-Bradley Company, Inc.

 **Rockwell** Automation

Allen-Bradley

Worldwide representation.



Argentina • Australia • Austria • Bahrain • Belgium • Brazil • Bulgaria • Canada • Chile • China, PRC • Colombia • Costa Rica • Croatia • Cyprus • Czech Republic • Denmark • Ecuador • Egypt • El Salvador • Finland • France • Germany • Greece • Guatemala • Honduras • Hong Kong • Hungary • Iceland • India • Indonesia • Ireland • Israel • Italy • Jamaica • Japan • Jordan • Korea • Kuwait • Lebanon • Malaysia • Mexico • Netherlands • New Zealand • Norway • Pakistan • Peru • Philippines • Poland • Portugal • Puerto Rico • Qatar • Romania • Russia-CIS • Saudi Arabia • Singapore • Slovakia • Slovenia • South Africa, Republic • Spain • Sweden • Switzerland • Taiwan • Thailand • Turkey • United Arab Emirates • United Kingdom • United States • Uruguay • Venezuela • Yugoslavia

Allen-Bradley Headquarters, 1201 South Second Street, Milwaukee, WI 53204 USA

Tel: (1) 414 382-2000 Fax: (1) 414 382-4444