



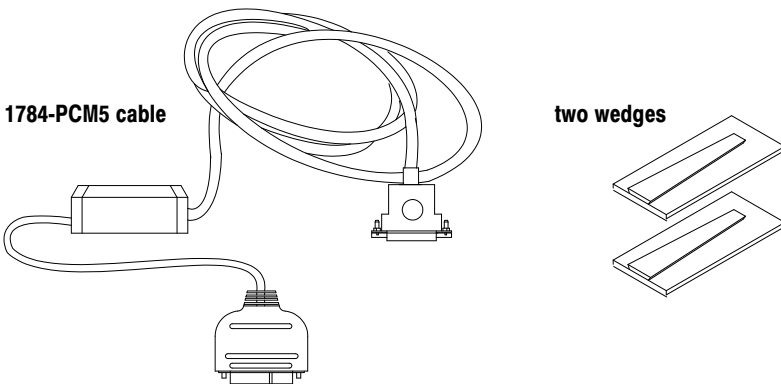
1784-PCM5 Cable Assembly

Cable Use

The 1784-PCM5 cable connects the 1784-PCM5K card to a PLC-2[®], PLC-3[®], or PLC-5[®] processor, via the 9-pin D-shell serial port, for DH+ communication.

Package Contents

Make sure that you have these items before you discard any packing material.



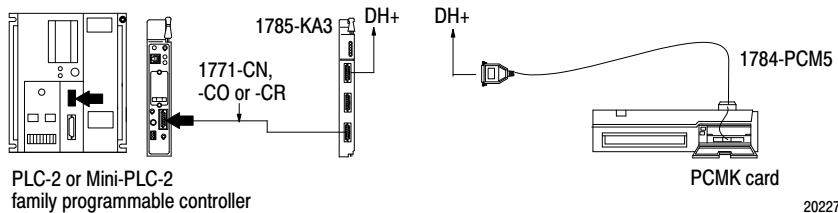
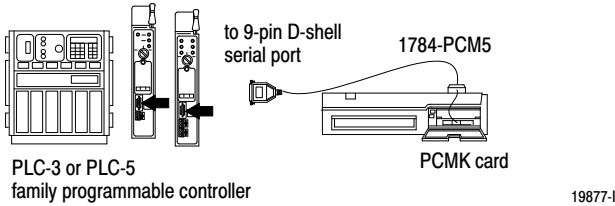
If any item is missing or incorrect, contact your local Allen-Bradley office.

19868

Compatible Processors

Using the 1784-PCM5 cable, you can connect the 1784-PCMCK card to:

- PLC-2 or Mini-PLC-2 (through 1785-KA3) processor
- PLC-3/10 (via 1775-SR5) or PLC-3 (via 1775-S5) processor
- PLC-5/10, PLC-5/12, PLC-5/15, or PLC-5/25 processor



Installation

For installation instructions, see the *PCMCK Communication Card User Manual*, publication 1784-6.5.19.



ATTENTION: The 1784-PCM5 cable does not have a loopback connector. When you run the loopback diagnostic test, connect the 1784-PCM5 cable to the 1784-PCMCK card; **DO NOT** connect the cable to your DH+ link. Connecting the 1784-PCM5 cable to your DH+ link will cause the test to fail and result in possible noise in your network.

PLC-2, PLC-3, and PLC-5 are trademarks of Allen-Bradley Company, Inc.

 **Rockwell Automation**
Allen-Bradley

Worldwide representation

