



# Installation Instructions

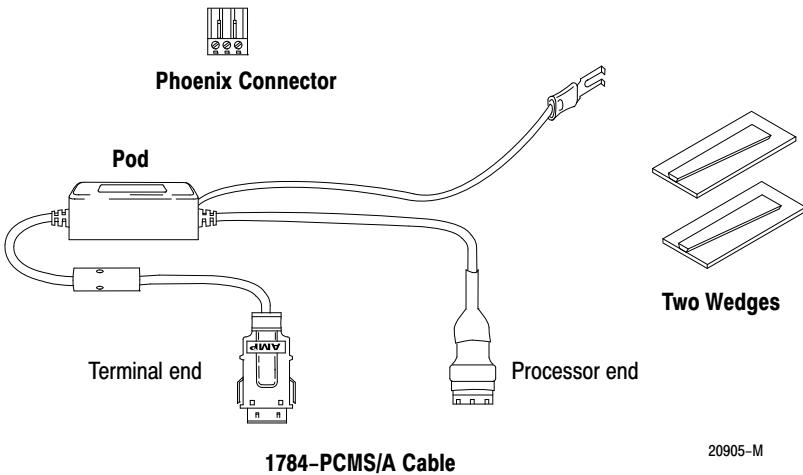
## 1784-PCMS/A Cable

### About This Document

Use this document to install the 1784-PCMS/A cable. This cable connects the 1784-PCMKS card to remote I/O networks.

### Verify Package Contents

Make sure that you have these items before you discard any packing material.



20905-M

Allen-Bradley Repla



















