

# Connecting PLC-5 Processors and SLC Processors through Communication Bridges

## Using SLC 5/03™ Processors

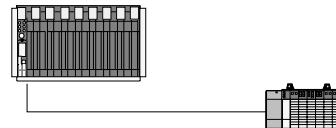
### Introduction

This document combines available PLC® and SLC™ documentation to show you how you can communicate between these two types of systems through communication bridges over a serial and DH+™ links.

**Note:** You can also configure the communication modules described in this chapter to work with SLC 5/04™ processors

#### communication bridges

DH-485™ using a 1785-KA5  
 serial using a 1747-KE  
 serial using a 1746-BAS



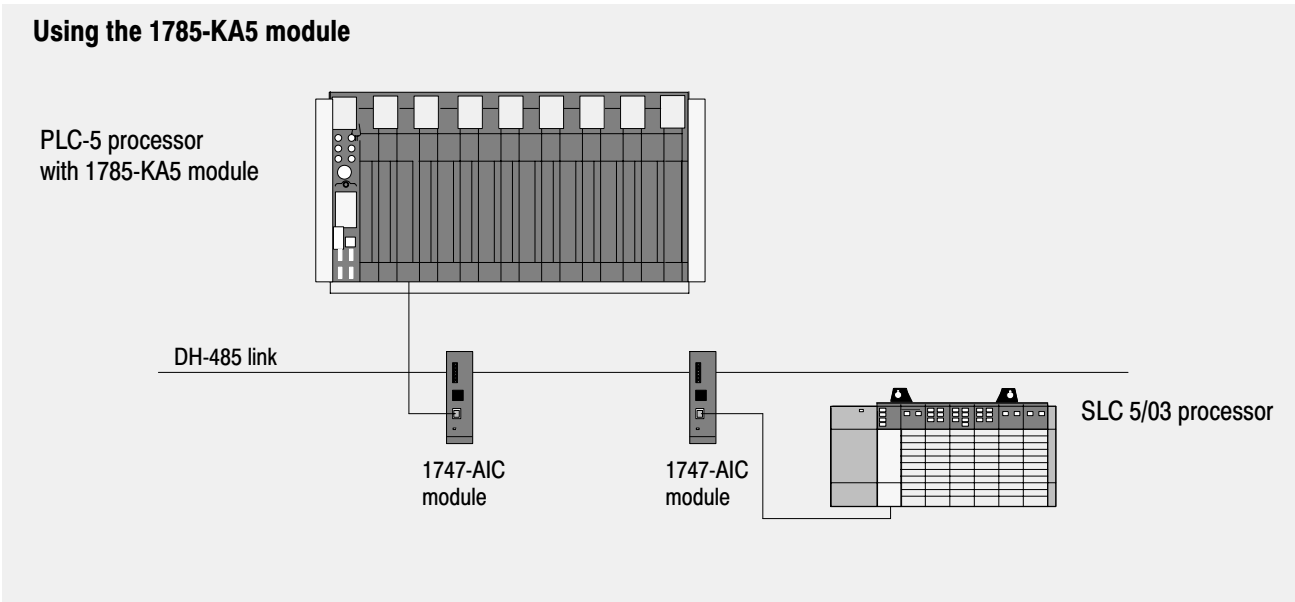
This information is in addition to the user documentation for the processors and communication bridges discussed here. You should already have a solid understanding of how to use this hardware. Each section in this document lists additional documentation you can refer to for detailed information.

This document is one of a larger set of reference materials to help you better use your PLC-5® processor. The 1785-6.8.x series of documents provides individual documents for different applications. This reference set is continually expanding, so see your Allen-Bradley sales representative or distributor for an up-to-date list of available reference documents.

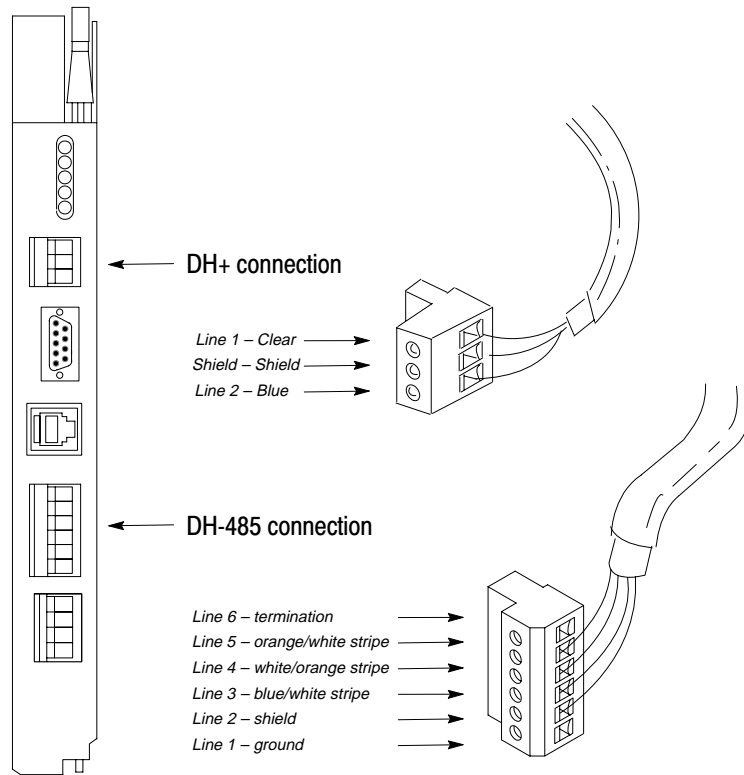
For information about:	See page:
<b>Connecting the processors</b>	
Using a 1785-KA5 module	2
Application requirements	3
Communicating over the gateway	4
<b>Connecting the processor</b>	
Using a 1747-KE module	6
Application requirements	7
Communicating over the serial link	10
<b>Connecting the processors</b>	
Using a 1746-BAS module	11
Application requirements	12
Communicating over the serial link	13

## Connecting the processors

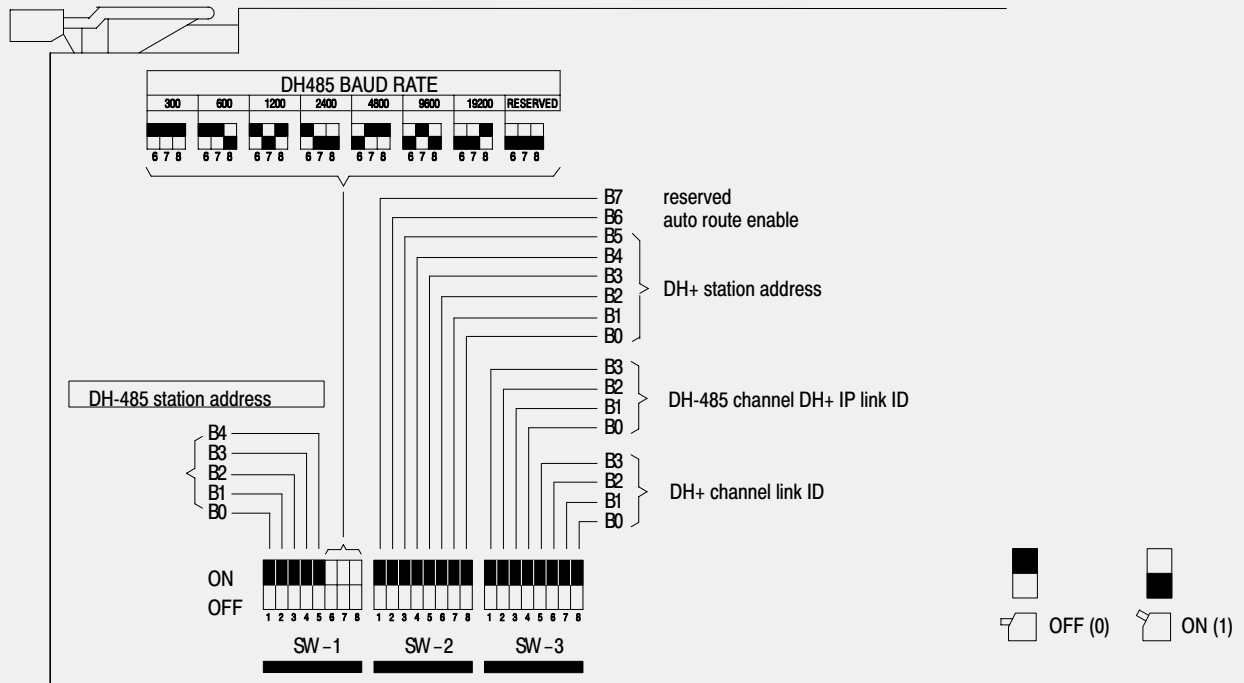
### Using the 1785-KA5 module



### 1785-KA5 module



**1785-KA5 module configurations**



**Application requirements**

You connect both DH-485 and DH+ links to a 1785-KA5 module.

**Connecting DH-485 cable**

You install a DH-485 link as a number of cable segments daisy-chained together. The total length of the cable segments cannot exceed 1219 m (4000 ft). This is the total cable distance from the first node to the last node on the network. The DH-485 communication cable must be Belden 9842 cable.

Install a link coupler (1747-AIC) for each node on the network. The link coupler electrically isolates the DH-485 communication interface from the processor and peripheral connections. Electrical-optical isolation is provided to 1500V. You make connections between an SLC processor and a link coupler with cable 1747-C11, 304.8 mm (12 in), which is supplied with the link coupler.

---

### Connecting DH+ cable

---

You can connect a DH+ link two ways:

- trunk line/drop line—from the drop line to the connector screw terminals on the DH+ connectors of the processor
- daisy chain—to the connector screw terminals on the DH+ connectors of the processor



**ATTENTION:** Do not mix trunkline/dropline connections with daisy chain connections in one DH+ link.

---

When installing DH+ communication links, **do not:**

- exceed these cable lengths:
  - trunk line-cable length—3,048 m (10,000 cable-ft)
  - drop-cable length—30.4 m (100 cable-ft)
- connect more than 64 stations on a single DH+ link

Use the 3-pin connector on the processor to connect a DH+ link. The connector's port must be configured to support a DH+ communication link.

### Communicating over the gateway

The 1785-KA5 DH+/DH485 Gateway module enables communication and data transfer from PLC-5 and SLC processors on a DH-485 link. The 1785-KA5 also enables APS programming or data acquisition across a DH+ link to a DH-485 link. The SLC processors respond to unsolicited read and unsolicited write commands.

---

#### 1785-KA5 gateway mode

---

In gateway mode, DH+ devices must initiate messages; DH-485 devices cannot initiate messages. The 1785-KA5 module acts as a gateway when the attached DH-485 stations do not fully implement internet protocol. The 1785-KA5 module converts packets to DH-485 local packets and sends them to their DH-485 destination stations.

In gateway mode, all SLC processors can respond to DH+ data read and write requests; they cannot initiate data requests.

**1785-KA5  
router mode**

In router mode, both DH+ and DH-485 devices that implement internet protocol (IP) can initiate messages. When the 1785-KA5 receives an internet packet, it acts as an intermediate station and passes the packet along in the correct direction. Unlike the gateway process, no packet conversion is necessary, because stations on both sides of the 1785-KA5 “speak the same language.”

You can use an SLC 5/03 processor to send a message to the 1785-KA5 module. The SLC 5/03 processor has the ability to respond to data read and write requests when the 1785-KA5 is in router mode.

**Using MSG instructions with a 1785-KA5 module**

Keep the following in mind when using message instructions:

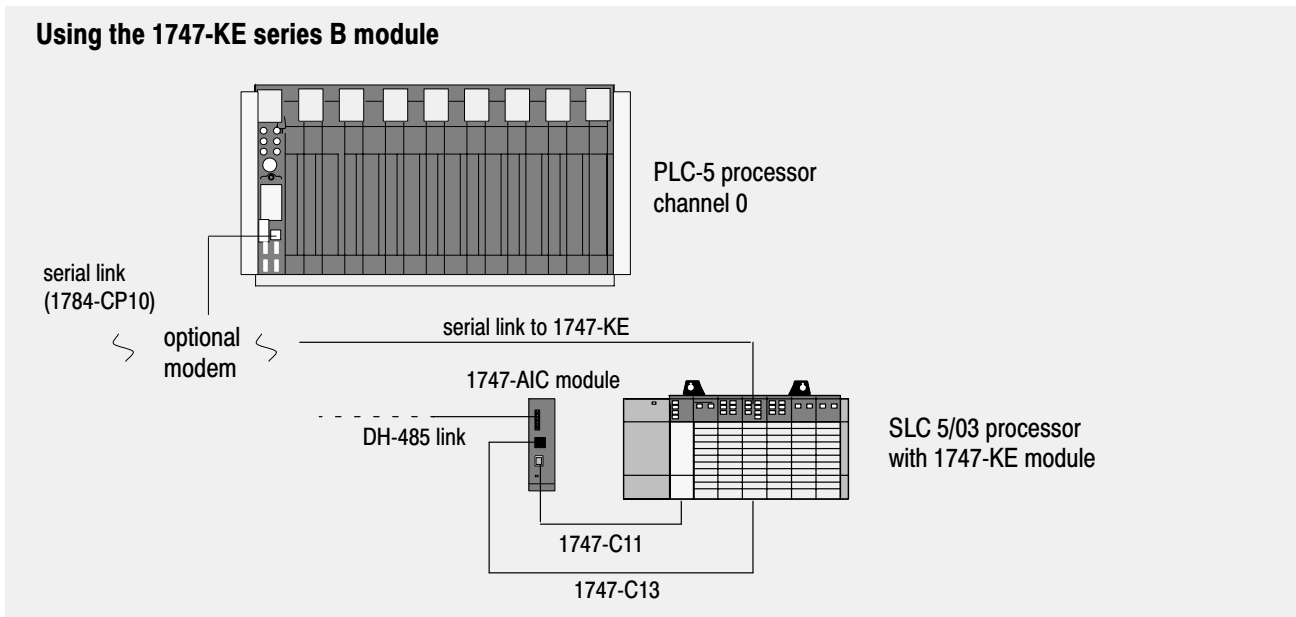
- The message is a remote message because the destination is not on the local link.
- The remote station is the octal equivalent of the decimal address of the SLC processor.
- In the message instruction, set the LINK\_ID to zero (0) even though the actual LINK\_ID is not zero.
- The local node is the DH+ station address of the 1785-KA5.
- The destination data table address specifies the data word number to be accessed within the SLC processor.

**Additional documentation**

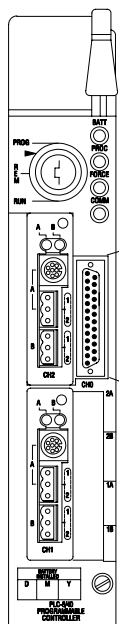
- 1770-6.5.16 Data Highway/Data Highway Plus/DH-485 Protocol and Command Set Reference Manual
- 1785-6.5.5 DH+/DH-485 Communication Adapter Module (1785-KA5 ) User Manual
- 1747-6.2 SLC 500 Modular Hardware Style Installation and Operation Manual

## Connecting the processors

### Using the 1747-KE series B module



### PLC-5 processor



25-pin male connector

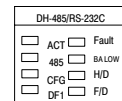
25-pin male	25-pin female
1	C.GND 1
2	TXD.OUT 2
3	RXD.IN 3
4	RTS.OUT 4
5	CTS.IN 5
6	DSR.IN 6
7	SIG.GND 7
8	DCD.IN 8
20	DTR.OUT 20

25-pin male

9-pin female

8	DCD.IN 1
3	RXD.IN 2
2	TXD.OUT 3
20	DTR.OUT 4
7	SIG.GND 5
6	DSR.IN 6
4	RTS.OUT 7
5	CTS.IN 8
22	NC 9

### 1747-KE module

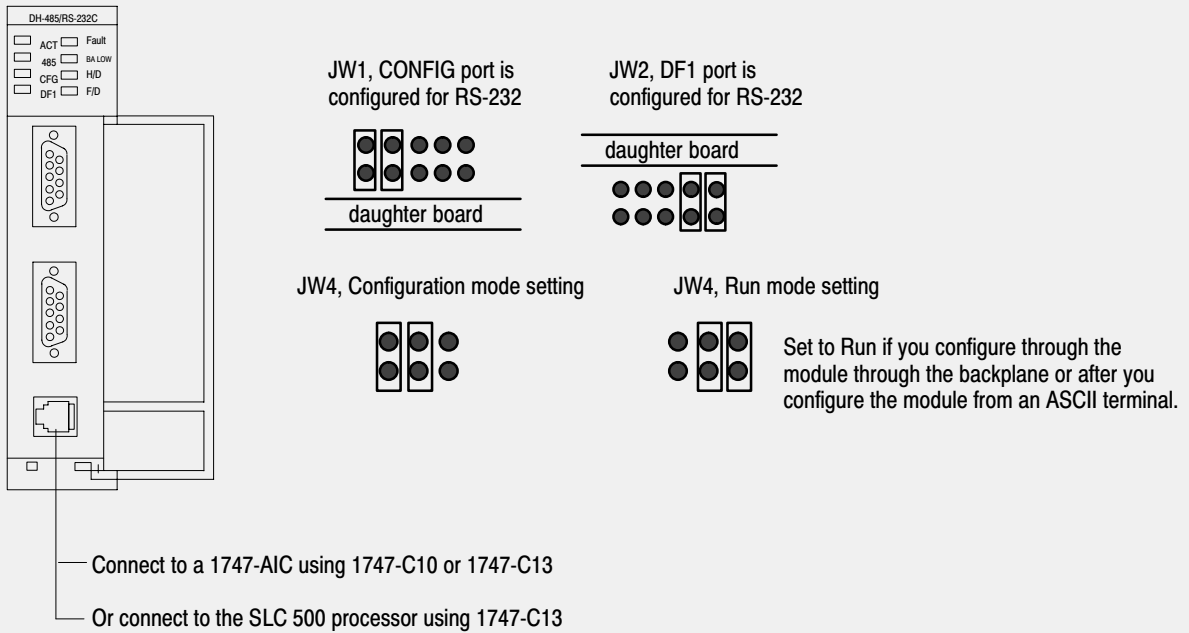


connect to DF1 port

9-pin female connector

Connect to a 1747-AIC using 1747-C11 or 1747-C13  
Or connect to the SLC processor using 1747-C13

**1747-KE series B configurations**



**Application requirements**

You must configure the SLC chassis and the module. You can use an ASCII terminal to configure the module, or you can send configuration information over the backplane.

**Configure the SLC chassis**

Use your programming software or a hand-held terminal to assign the 1747-KE module to an open slot in the chassis. Enter the module ID code 3509 for series B functionality.

### Configure the module using an ASCII terminal

If you use an ASCII terminal, make sure the jumpers on JW4 are set for Configuration mode. After you finish configuring the module, set the jumpers for Run mode.

1. Configure the DF1 port to match the default CONFIG port parameters, which are:

Parameter:	Selection:
baud rate	1200
bits per character	8
parity	none
stop bits	one
handshaking	software

2. Specify whether the DF1 protocol is half-duplex or full-duplex. Specify the appropriate parameters for the DF1 protocol.
3. Configure the DH-485 port as follows:

Parameter:	Selection:
node address	0-31 each station on the DH-485 must have a unique address
maximum node address	1-31 for maximum performance, set this value no larger than the value of the highest numbered node on the link
message timeout	5000
pass through	disabled
baud rate	19200 all stations on the DH-485 must be set to the same baud rate



## Configure the module over the backplane

There are six different configuration packets you can send over the backplane from the SLC processor to the 1747-KE module. Use the DF1 configuration packet to configure communications.

1. Set module mode bit (O:e.0/15). This places the module in software configuration mode.
2. Load 02 as the data ID value (O:e.0/0–3) to specify a DF1 configuration packet.
3. Place the configuration data in the output image file (O:e.1–7).

Use the following table to build the configuration packet.

**SLC Output File to the Interface Module**

Bit Word	15	14	13	12	11	10	9	8	7	6	5	4	3	2	1	0
0 <sup>1</sup>	Module Mode Bit	Data Handshake Bit	Read or Write Bit	Reset Interface Module Bit	Reserved								Data ID=2			
1				Embedded Response Detect (Full) or Local/Remote Mode (Half)	Half or Full Duplex	Constant Carrier Detect <sup>2</sup>	Hardware Hand-shaking <sup>2</sup>	Checksum	Duplicate Packet Detection	Stop Bits	Parity	Bits per character	DF1 Baud Rate			
2	Modem Init String Delay (0–25 sec.)								Enq/Msg Retries (0–254)							
3	Slave Address (Local) (0–254) Group Number (Remote) (0–7)								Master Station Address (Half Duplex) (0–254) NAK Rec Retries (Full Duplex) (0–254)							
4	ACK/POLL Timeout (0–65,535x5 ms)															
5	Message Timeout (100–12,750 ms)															
6	RTS ON Delay (0–65,535x5 ms) <sup>3</sup>															
7	RTS OFF Delay (0–65,499x5 ms) <sup>3</sup>															

<sup>1</sup> To configure the DF1 parameters the Read or Write Bit must be 0 and the Module Mode Bit must be 1. To read the DF1 parameters, the Read or Write Bit must be 1 and the Module Mode Bit can be either 0 or 1.

<sup>2</sup> If Constant Carrier Detect is enabled, Hardware Handshaking is forced on.

<sup>3</sup> The value is ignored if full-duplex is chosen.

4. Write the configuration data by resetting the read or write bit (O:e.0/13).
5. Set the data handshake bit (O:e.0/14) to indicate that the data in the output image file is valid.

The 1747-KE module retrieves the data and places status of the configuration in the SLC input file (I:e.0/4–10). Then the 1747-KE module sets the data handshake bit (I:e.0/140) to indicate that the data in the input image file is valid.

6. Reset the data handshake bit (O:e.0/14).
7. Save your configuration changes by placing the 1747-KE module in software Run mode (reset the module mode bit).

## Communicating over a serial link

The 1747-KE DH-485/DF1 Interface module provides a non-isolated DH-485 interface for PLC-5 and SLC processors over RS-232 using full-duplex or half-duplex DF1 protocol. The 1747-KE acts as a bridge between the SLC processor's DH-485 link and serial link. The 1747-KE is ideal for low cost RTU/SCADA applications.

If you use the 1747-KE module in a half-duplex configuration, select polled report-by-exception as the communication method. Polled report-by-exception lets the slave initiate a data transfer. Each slave can contain one MSG instruction to report to the master, rather than requiring the master to have one MSG instruction for each slave – which could use too much of the master's memory and time. You program the slave (the SLC processor with the 1747-KE module) to monitor its own inputs for a change of state or data, which triggers the slave to write data to the master the next time the master polls the slave.

Polled report-by exception messaging is useful if any two or more of the following apply to your application:

- communication channel is slow (2400 bps or less)
- average number of words of data to monitor in each slave is greater than five
- number of slaves is greater than ten

### Using MSG instructions with a 1747-KE module

Keep the following in mind when using message instructions:

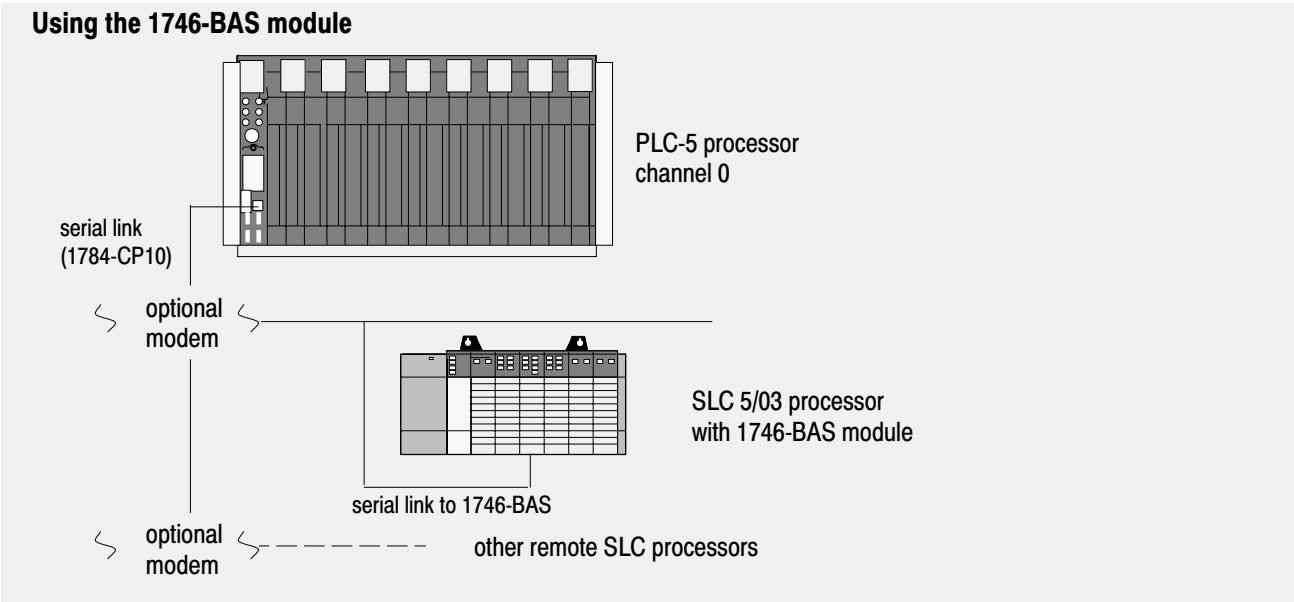
- The message is a remote message because the destination is not on the local link.
- The remote station is the octal equivalent of the decimal address of the SLC processor.
- The local node is the station address of the 1747-KE.
- The destination data table address specifies the data word number to be accessed within the SLC processor.

### Additional documentation

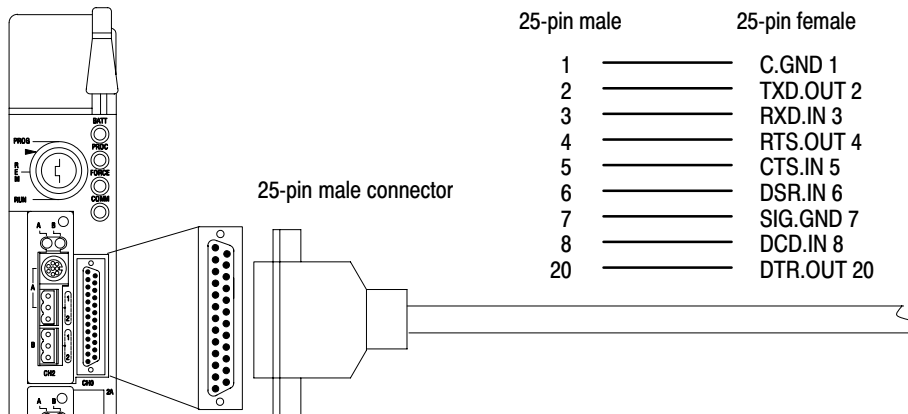
- 1747-6.12 DH-485/RS-232-C KE Module User Manual
- AG-6.5.8 SCADA System Application Guide
- 1747-6.2 SLC 500 Modular Hardware Style Installation and Operation Manual

## Connecting the processors

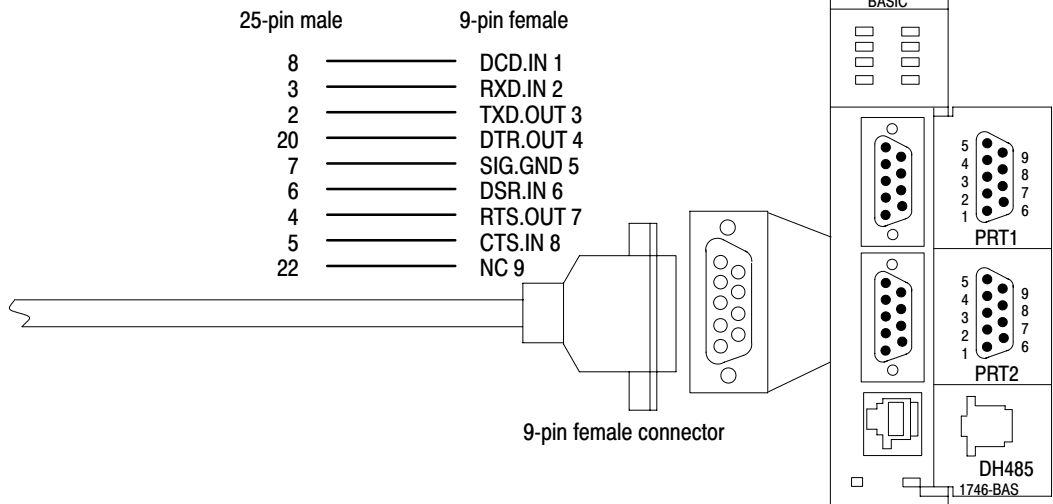
### Using the 1746-BAS module



### PLC-5 processor



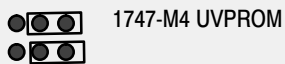
### 1746-BAS module



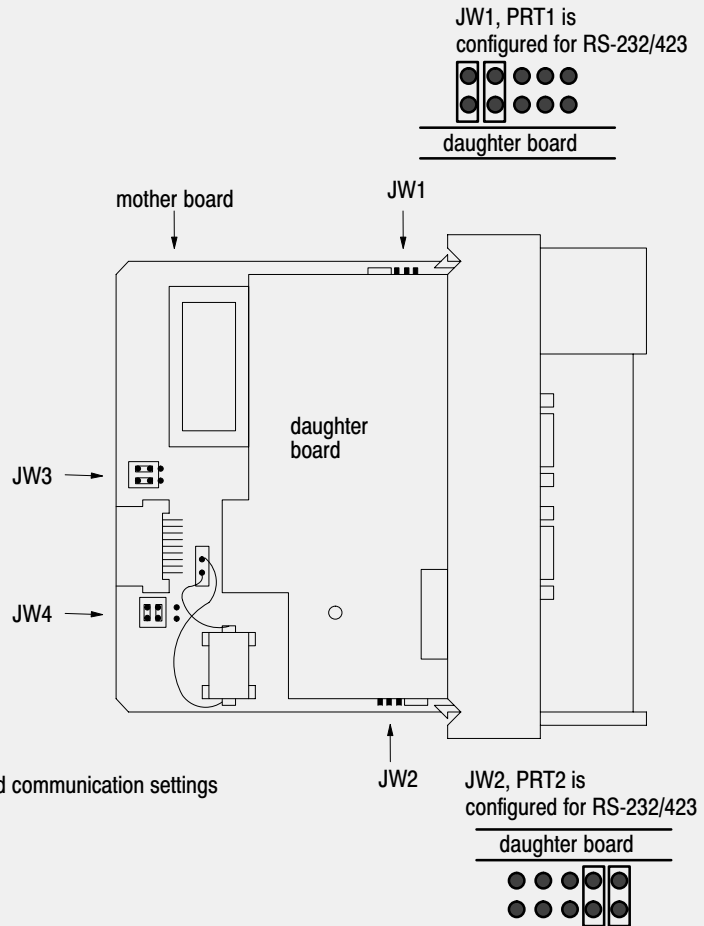
Allen-Bradley Parts

**1746-BAS module configurations**

JW3 identifies memory module



JW4 identifies operation of each port;  
configure PRT2 for DF1 protocol



**Application requirements**

Use PRT2 to transfer DF1 packets to a PLC-5 processor. PRT2 is capable of operating full-duplex at 300, 600, 1200, 2400, 4800, 9600, and 19200 baud. It is electrically isolated to 500V dc.

The maximum serial cable distance for RS-232 is 50 ft (15 m).

Use the RS-423 jumper settings when communicating in RS-232 mode.

## Communicating over a serial link

The 1746-BAS BASIC module is an interface between an SLC processor, the 1746 backplane, and an RS-232 device – in this case, a PLC-5 processor communicating over an RS-232 link. Program in BASIC to interface port PRT2 to a PLC-5 processor for data collection.

### Transferring Data Between the SLC Processor and Port PRT2

Use port PRT2 to interface the BASIC module with external devices sending ASCII code (to bar code decoders and printers) or DF1 packets (to PLC processors). Use the following commands to transfer data either to or from port PRT2:

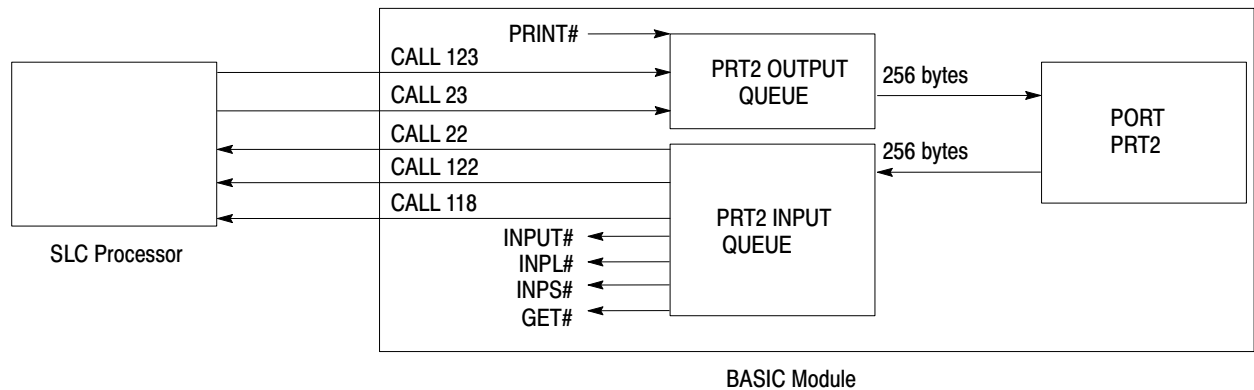
**Table A**  
**Data transfer commands**

<b>Command:</b>	<b>Purpose:</b>
PRINT#	prints a string or variable to PRT2
INPUT#	inputs a string or variable from PRT2
INPL#	inputs a string or variable from PRT2
INPS#	inputs a string or variable from PRT2
GET#	reads a console input device connected to PRT2
CALL 22	reads data from PRT1 or PRT2 to the SLC I/O or M files
CALL 23	writes data from the SLC I/O or M files to PRT1 or PRT2
CALL 118	allows unsolicited writes from a remote SLC or PLC node
CALL 122	reads a PLC data file and transfers it to the SLC I/O or M files
CALL 123	writes data from the SLC I/O or M files to a remote PLC processor

**Table B**  
**Status and control commands**

Command:	Purpose:
MODE	sets the port parameters for PRT1, PRT2, and DH485
CALL 16	enables interrupt capability when a DF1 packet is received
CALL 17	disables the DF1 packet interrupt capability
CALL 30	sets the port parameters for PRT2
CALL 31	displays the current PRTS port configuration on the program port terminal screen
CALL 35	retrieves the current character in the 256-character input buffer of PRT2
CALL 36	retrieves the number of characters in the input or output buffer of PRT2
CALL 37	clears the peripheral port input and/or output buffers
CALL 97	enables the DTR signal for PRT2
CALL 98	disables the DTR signal for PRT2
CALL 108	enables DF1 driver communications; you must use this CALL with CALLs 16, 17, 118, 122, and 123
CALL 110	prints the complete output buffer with addresses, front pointer, and number of characters in the buffer to the console device
CALL 111	prints the complete input buffer with addresses, front pointer, and number of characters in the buffer to the console device
CALL 113	disables DF1 driver communications
CALL 114	initiates DF1 packet transmission
CALL 115	checks DF1 packet transmission status
CALL 117	gets DF1 packet length
CALL 119	resets port parameters to their default settings

**Figure 1**  
**Data flow between the SLC processor and PRT2**



### Additional documentation

- 1746-6.1 SLC 500 BASIC Module Design Manual
- 1746-6.3 BASIC Language Reference Manual

DH+, DH-485, PLC, PLC-2, PLC-5, SLC, SLC 5/02, SLC 5/03, and SLC 5/04 are trademarks of Allen-Bradley Company, Inc.



Allen-Bradley, a Rockwell Automation Business, has been helping its customers improve productivity and quality for more than 90 years. We design, manufacture and support a broad range of automation products worldwide. They include logic processors, power and motion control devices, operator interfaces, sensors and a variety of software. Rockwell is one of the worlds leading technology companies.



### Worldwide representation.

Argentina • Australia • Austria • Bahrain • Belgium • Brazil • Bulgaria • Canada • Chile • China, PRC • Colombia • Costa Rica • Croatia • Cyprus • Czech Republic • Denmark • Ecuador • Egypt • El Salvador • Finland • France • Germany • Greece • Guatemala • Honduras • Hong Kong • Hungary • Iceland • India • Indonesia • Ireland • Israel • Italy • Jamaica • Japan • Jordan • Korea • Kuwait • Lebanon • Malaysia • Mexico • Netherlands • New Zealand • Norway • Pakistan • Peru • Philippines • Poland • Portugal • Puerto Rico • Qatar • Romania • Russia-CIS • Saudi Arabia • Singapore • Slovakia • Slovenia • South Africa, Republic • Spain • Sweden • Switzerland • Taiwan • Thailand • Turkey • United Arab Emirates • United Kingdom • United States • Uruguay • Venezuela • Yugoslavia

Allen-Bradley Headquarters, 1201 South Second Street, Milwaukee, WI 53204 USA, Tel: (1) 414 382-2000 Fax: (1) 414 382-4444

# Allen-Bradley Parts