



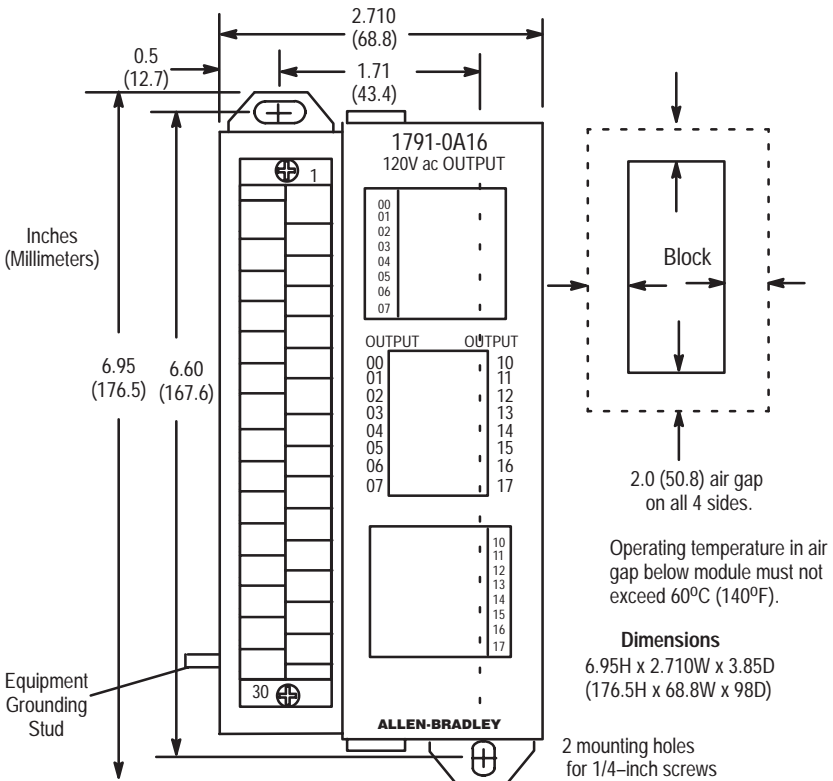
16 Output AC Block I/O Module

Cat. No. 1791-0A16 Series B

Installation

Mount the block I/O module in a vertical (recommended) or horizontal position. Allow sufficient room around the block for cooling air flow through the block module. Refer to Figure 1.

Figure 1
Mounting Dimensions for the Block I/O Module
Cat. No. 1791-0A16 Series B (PLC version shown)



CAUTION: When tightening grounding stud nut, do not exceed 15 in-lbs.

Figure 2
Mounting on a DIN Rail

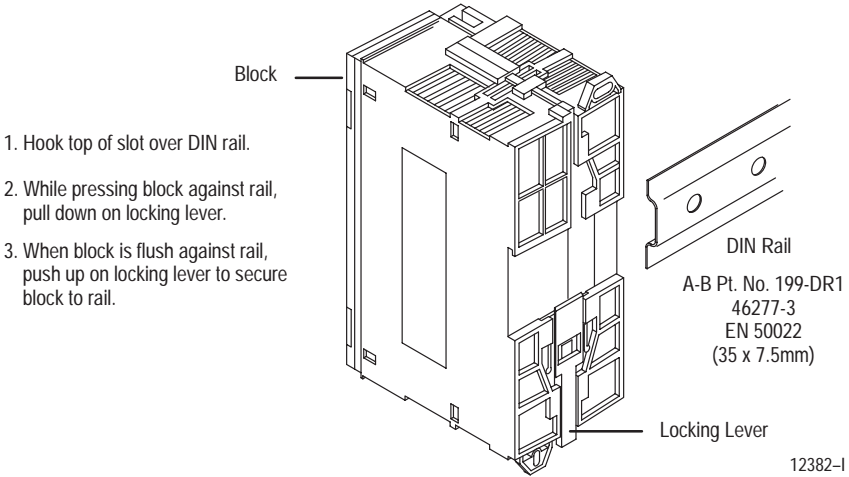
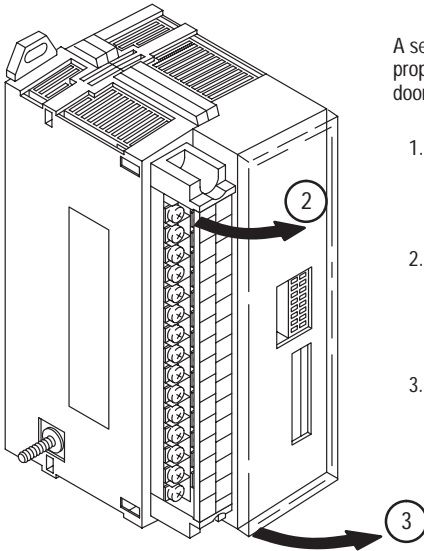


Figure 3
Inserting Labels

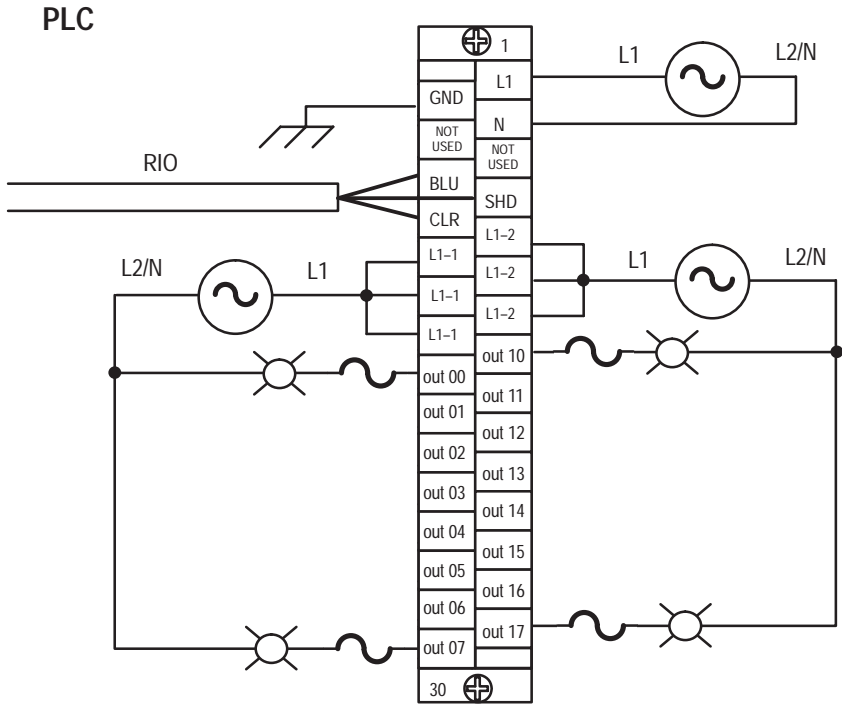


A set of labels is supplied with your module. Select the proper module designation labels (PLC or SLC) for the front door and terminal strip.

1. Remove die-cut labels from package. Select correct labels for your application. (PLC label is numbered 00-07 and 10-17. SLC label is numbered 00-07 and 08-15.)
2. Remove plastic cover on terminal strip by flexing in middle. Slip the terminal designation label into built-in holders in terminal strip cover. Flex cover slightly to install.
3. Open clear front door. Insert module designation label into slots that secure it to the door.

Connect wiring as shown in Figure 4 or Figure 5.

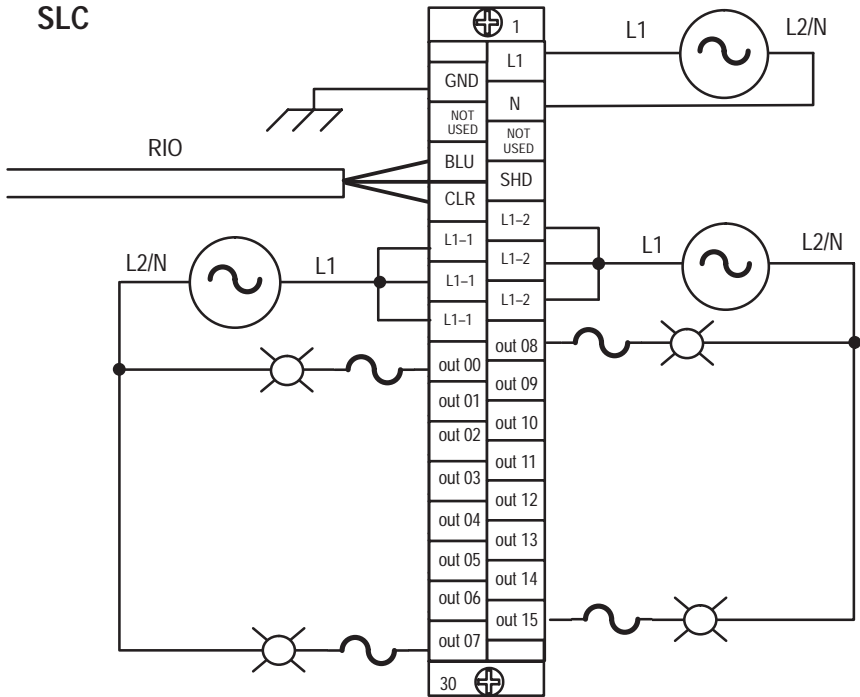
Figure 4
Wiring Connections with PLC Family Programmable Controllers (refer to Table A)



NOTE: L1-1 connections must be externally connected together to accommodate total amperage.
 L1-2 connections must be externally connected together to accommodate total amperage.
 Output fusing is recommended. Refer to Table D.

12385-1

Figure 5
Wiring Connections with SLC Family Processors (refer to Table A)



NOTE: L1-1 connections must be externally connected together to accommodate total amperage. L1-2 connections must be externally connected together to accommodate total amperage. Output fusing is recommended. Refer to Table D.

12388-I

The block I/O module has an equipment grounding stud on the lower left side of the module. Connect this grounding stud to your equipment ground. Torque the nut to 15 in-lbs maximum when connecting to your equipment ground.



ATTENTION: Do not overtighten the nut on the grounding stud when connecting the wire. Damage to the module could result.

Refer to “Programmable Controller Wiring and Grounding Guidelines” (1770-4.1) for further information.

Table A
Wiring Block Designations

Connections	1791-0A16 Series B		
	Designation	Description	Terminal No.
Power Connections	L1	ac hot	1
	N	ac neutral	3
	GND	Chassis ground	2 ¹
Remote I/O Connections	BLU	Blue wire – RIO	6
	CLR	Clear wire – RIO	8
	SHD	Shield – RIO	7
I/O Connections			
Output	out 00 thru out 07	Output 00 thru 07	16, 18, 20, 22, 24, 26, 28, 30
	L1-1	L1 output supply	10, 12, 14 ²
Output	L1-2	L1 output supply	9, 11, 13 ³
	PLC: out 10 thru out 17 SLC: out 08 thru out 15	PLC: Output 10 thru 17 SLC: Output 08 thru 15	15, 17, 19, 21, 23, 25, 27, 29
	Not used	For internal test only; not for customer use.	4, 5

¹ Connect chassis ground to equipment grounding stud. These are not internally connected.

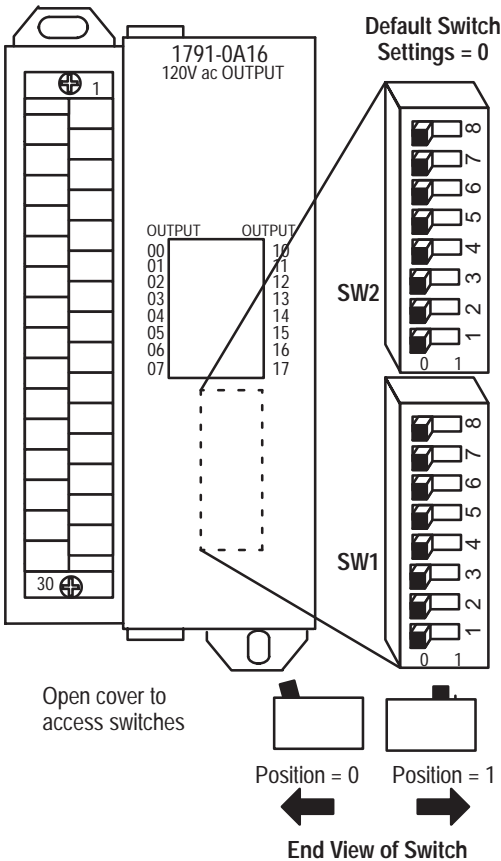
² Terminals 10, 12 and 14 must be externally connected by customer.

³ Terminals 9, 11 and 13 must be externally connected by customer.

Table B
Acceptable Wiring Cables for Block I/O Connection

Use	Cable Type
Remote I/O link	Belden 9463
Input and output wiring	Up to 14AWG (2mm ²) stranded with 3/64 inch insulation

Figure 6
Switch Settings



SW2-8
Not used

SW2-7
Not used

SW2-6	Last I/O Group
0	Not last rack
1	Last rack

SW2-5	Processor Restart/Lockout (PRL)
0	Processor Restart
1	Processor Lockout

SW2-4	Hold Last State
0	Reset Outputs
1	Hold Last State

SW2-3	Complementary I/O ¹
0	Non-Complemented System
0	Complementary Rack ¹
1	Primary Rack ¹

¹ See note.

Communication Rate		
SW2-2	SW2-1	Bits/s
0	0	57.6 K
0	1	115.2 K
1	0	230.4 K
1	1	230.4 K

Starting Quarter		
SW1-2	SW1-1	Module Group
0	0	0 (1st)
0	1	2 (2nd)
1	0	4 (3rd)
1	1	6 (4th)

ATTENTION: Cycle power to the module after setting the switches.

Only block I/O modules with all inputs or all outputs can use complementary I/O.

NOTE: Set switch SW2-3 to 0 if this rack will have a unique address (not complemented). If this rack address is a duplicate of another I/O block or chassis, set the switch to 1 for primary or 0 for complementary. Refer to Table C for the complementary I/O rack address.

Series A block I/O modules do not support complementary I/O. If using series A modules, set switch SW2-3 to 0.

Installation Instructions
Block I/O
Cat. No. 1791-0A16 Series B

1747-SN Rack Number	1771-SN Rack Number	PLC-2 Rack Number	PLC-5 Rack Number	PLC-5/250 Rack Number	PLC-3 Rack Number	SW1 Switch Position					
						8	7	6	5	4	3
Rack 0	Rack 1	Rack 1	Not Valid	Rack 0	Rack 0	0	0	0	0	0	0
Rack 1	Rack 2	Rack 2	Rack 1	Rack 1	Rack 1	0	0	0	0	0	1
Rack 2	Rack 3	Rack 3	Rack 2	Rack 2	Rack 2	0	0	0	0	1	0
Rack 3	Rack 4	Rack 4	Rack 3	Rack 3	Rack 3	0	0	0	0	1	1
	Rack 5	Rack 5	Rack 4	Rack 4	Rack 4	0	0	0	1	0	0
	Rack 6	Rack 6	Rack 5	Rack 5	Rack 5	0	0	0	1	0	1
	Rack 7	Rack 7	Rack 6	Rack 6	Rack 6	0	0	0	1	1	0
		Rack 7	Rack 7	Rack 7	Rack 7	0	0	0	1	1	1
		Rack 10	Rack 10	Rack 10	Rack 10	0	0	1	0	0	0
		Rack 11	Rack 11	Rack 11	Rack 11	0	0	1	0	0	1
		Rack 12	Rack 12	Rack 12	Rack 12	0	0	1	0	1	0
		Rack 13	Rack 13	Rack 13	Rack 13	0	0	1	0	1	1
		Rack 14	Rack 14	Rack 14	Rack 14	0	0	1	1	0	0
		Rack 15	Rack 15	Rack 15	Rack 15	0	0	1	1	0	1
		Rack 16	Rack 16	Rack 16	Rack 16	0	0	1	1	1	0
		Rack 17	Rack 17	Rack 17	Rack 17	0	0	1	1	1	1
		Rack 20	Rack 20	Rack 20	Rack 20	0	1	0	0	0	0
		Rack 21	Rack 21	Rack 21	Rack 21	0	1	0	0	0	1
		Rack 22	Rack 22	Rack 22	Rack 22	0	1	0	0	1	0
		Rack 23	Rack 23	Rack 23	Rack 23	0	1	0	0	1	1
		Rack 24	Rack 24	Rack 24	Rack 24	0	1	0	1	0	0
		Rack 25	Rack 25	Rack 25	Rack 25	0	1	0	1	0	1
		Rack 26	Rack 26	Rack 26	Rack 26	0	1	0	1	1	0
		Rack 27	Rack 27	Rack 27	Rack 27	0	1	0	1	1	1
		Rack 30	Rack 30	Rack 30	Rack 30	0	1	1	0	0	0
		Rack 31	Rack 31	Rack 31	Rack 31	0	1	1	0	0	1
		Rack 32	Rack 32	Rack 32	Rack 32	0	1	1	0	1	0
		Rack 33	Rack 33	Rack 33	Rack 33	0	1	1	0	1	1
		Rack 34	Rack 34	Rack 34	Rack 34	0	1	1	1	0	0
		Rack 35	Rack 35	Rack 35	Rack 35	0	1	1	1	0	1
		Rack 36	Rack 36	Rack 36	Rack 36	0	1	1	1	1	0
		Rack 37	Rack 37	Rack 37	Rack 37	0	1	1	1	1	1
		Rack 40	Rack 40	Rack 40	Rack 40	1	0	0	0	0	0
		Rack 41	Rack 41	Rack 41	Rack 41	1	0	0	0	0	1
	Rack 42	Rack 42	Rack 42	Rack 42	1	0	0	0	1	0	
	Rack 43	Rack 43	Rack 43	Rack 43	1	0	0	0	1	1	
	Rack 44	Rack 44	Rack 44	Rack 44	1	0	0	1	0	0	
	Rack 45	Rack 45	Rack 45	Rack 45	1	0	0	1	0	1	
	Rack 46	Rack 46	Rack 46	Rack 46	1	0	0	1	1	0	
	Rack 47	Rack 47	Rack 47	Rack 47	1	0	0	1	1	1	
	Rack 50	Rack 50	Rack 50	Rack 50	1	0	1	0	0	0	

Installation Instructions
Block I/O
Cat. No. 1791-0A16 Series B

1747-SN Rack Number	1771-SN Rack Number	PLC-2 Rack Number	PLC-5 Rack Number	PLC-5/250 Rack Number	PLC-3 Rack Number	SW1 Switch Position					
						8	7	6	5	4	3
					Rack 51	1	0	1	0	0	1
					Rack 52	1	0	1	0	1	0
					Rack 53	1	0	1	0	1	1
					Rack 54	1	0	1	1	0	0
					Rack 55	1	0	1	1	0	1
					Rack 56	1	0	1	1	1	0
					Rack 57	1	0	1	1	1	1
					Rack 60	1	1	0	0	0	0
					Rack 61	1	1	0	0	0	1
					Rack 62	1	1	0	0	1	0
					Rack 63	1	1	0	0	1	1
					Rack 64	1	1	0	1	0	0
					Rack 65	1	1	0	1	0	1
					Rack 66	1	1	0	1	1	0
					Rack 67	1	1	0	1	1	1
					Rack 70	1	1	1	0	0	0
					Rack 71	1	1	1	0	0	1
					Rack 72	1	1	1	0	1	0
					Rack 73	1	1	1	0	1	1
					Rack 74	1	1	1	1	0	0
					Rack 75	1	1	1	1	0	1
					Rack 76	1	1	1	1	1	0
					Not Valid	1	1	1	1	1	1

Rack address 77 is an illegal configuration.
 PLC-5/11 processors can scan rack 03.
 PLC-5/15 and PLC-5/20 processors can scan racks 01-03.
 PLC-5/25 and PLC-5/30 processors can scan racks 01-07.
 PLC-5/40 and PLC-5/40L processors can scan racks 01-17.
 PLC-5/60 and PLC-5/60L processors can scan racks 01-27.
 PLC-5/250 processors can scan racks 00-37.

Table C
PLC-2 and PLC-5 With Complementary I/O

PLC-2 Rack Number	PLC-5 Rack Number	SW1 Switch Position					
		8	7	6	5	4	3
Rack 1	Not Valid	0	0	1	0	0	0
Rack 2	Rack 1	0	0	1	0	0	1
Rack 3	Rack 2	0	0	1	0	1	0
Rack 4	Rack 3	0	0	1	0	1	1
Rack 5	Rack 4	0	0	1	1	0	0
Rack 6	Rack 5	0	0	1	1	0	1
Rack 7	Rack 6	0	0	1	1	1	0
	Rack 7	0	0	1	1	1	1

When configured as complementary I/O:
 PLC-2 can scan racks 01-07
 PLC-5/11 can scan rack 03
 PLC-5/20, PLC-5/30, PLC-5/40, PLC-5/60
 can scan racks 01-07

NOTE: Remote rack numbers which can
 have a complementary rack are rack
 numbers 01 thru 07 only.

The SLC 500 controllers communicate with the block I/O using an I/O Scanner module (cat. no. 1747-SN series A). Refer to the user manual for the 1747-SN/A Scanner module for more information.

Note: This block I/O module is **not** compatible with the **1747-DSN** Distributed I/O Scanner module.

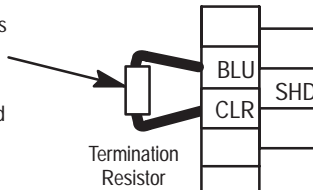
Termination Resistor

A termination resistor must be installed on the last block in a series. Connect the resistor as shown in Figure 7.

Figure 7
Installing the Termination Resistor

Connect termination resistor across terminals 6 (BLU) and 8 (CLR).

150 ohm – 57.6K and 115.2K baud
82 ohm – 230.4K baud

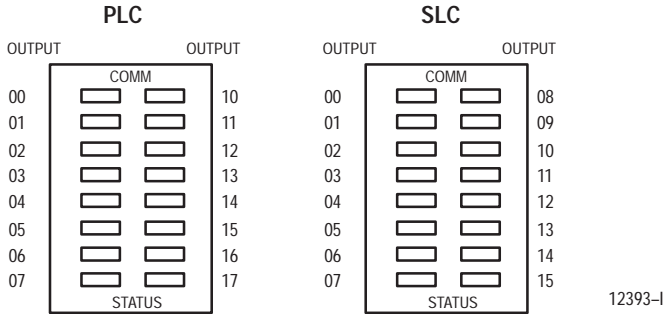


12392-I



ATTENTION: Devices that are operating at 230.4K baud must have 82 ohm terminators in place for proper operation.

Indicators



12393-I

Indicator		Description
COMM	OFF	Communications not established
	ON	Communication established
	Flashing	Processor in Program mode
STATUS	OFF	Normal
	ON	Error (hardware or software), block power low
	Flashing	COMM FAIL – Communication cable off, 100ms between valid frames, no more than 255 valid frames between valid frames addressed to block, 20ms idle time exceeded.

COMM and STATUS will alternately flash when processor restart lockout is selected, a fault has occurred and the processor is communicating with the block.

Fusing

The block I/O module is internally fused to protect the module. No external power fusing is required.

The outputs of the block I/O modules are not fused. Fusing of outputs is recommended. If desired to fuse an output, you must provide external fusing.

Table D
Recommended Fuses

Type of Circuit	Part Number ¹	Size	Rating in Amps	Maximum Surge Current ² (repeatable every 2s)
ac	SAN-O SS2-1.0	0.25 in. x 1.25 in.	1.0A	3.0A for 50ms
	SAN-O MQ2-1.0	5mm x 20mm	1.0A	2.5A for 50ms

¹ Note: Do not substitute another fuse for those listed.

² The recommended fuses will withstand surges of the above listed currents for the time specified.

Block I/O modules are derated linearly above 30°C up to and including 60°C.

Table E
Output Ratings and Non-fused Surge Currents

Catalog Number	Voltage	Mounting	Max. Output Rating at:		Maximum Surge Current ¹ (repeatable every 2s)
			30°C	60°C	
1791-0A16/B	120V ac	Vertical	600mA	300mA	10A for 50ms
		Horizontal	300mA	150mA	

¹ These surge ratings are for non-fused outputs only.

1791-0A16 Series B Specifications

Output Specifications	
Outputs per Block	16 (2 groups of 8)
Output Voltage Range	20–132V ac, 47–63Hz
Output Current Rating Vertical Mtg. Horizontal Mtg.	300mA @ 60°C, 600mA @ 30°C 150mA @ 60°C, 300mA @ 30°C
Surge Current	10A for 50ms each, repeatable every 2 sec.
Minimum On-state Current	50mA per output
Maximum On-state Voltage Drop	1.5V peak @ 300mA
Off-state Leakage Current (maximum)	3mA
Output Signal Delay Off to on On to off	1.0ms @ 60Hz; 1.0ms @ 50Hz 8.3ms @ 60Hz; 10.0ms @ 50Hz

Specifications continued on next page

Installation Instructions

Block I/O

Cat. No. 1791-0A16 Series B

General Specifications		
External Power (Internally protected - no external fuse required)	Voltage	85–132V ac, 47–63Hz
	Current	150mA
Dimensions	Inches	6.95H X 2.7W X 3.85D
	Millimeters	176.5H X 68.8W X 98D
Isolation	Power supply to RIO	500V ac
	I/O Group-to-Group	1250V ac
	I/O Group-to-Logic	1250V ac
Power Dissipation	Maximum	16.9 Watts
Thermal Dissipation	Maximum	57.63 BTU/hr
Environmental Conditions	Operational Temperature	0 to 60°C (32 to 140°F)
	Storage Temperature	–40 to 85°C (–40 to 185°F)
	Relative Humidity	5 to 95% noncondensing
Conductors	Wire Size	14 gauge (2mm ²) stranded maximum 3/64 inch insulation maximum
	Category	1 ¹

¹ You use this conductor category information for planning conductor routing as described in the system level installation manual.



ALLEN-BRADLEY
A ROCKWELL INTERNATIONAL COMPANY

WORLD HEADQUARTERS
Allen-Bradley
1201 South Second Street
Milwaukee, WI 53204 USA
Tel: (414) 382-2000
Telex: 43 11 016
FAX: (414) 382-4444

With offices in major cities worldwide _____