



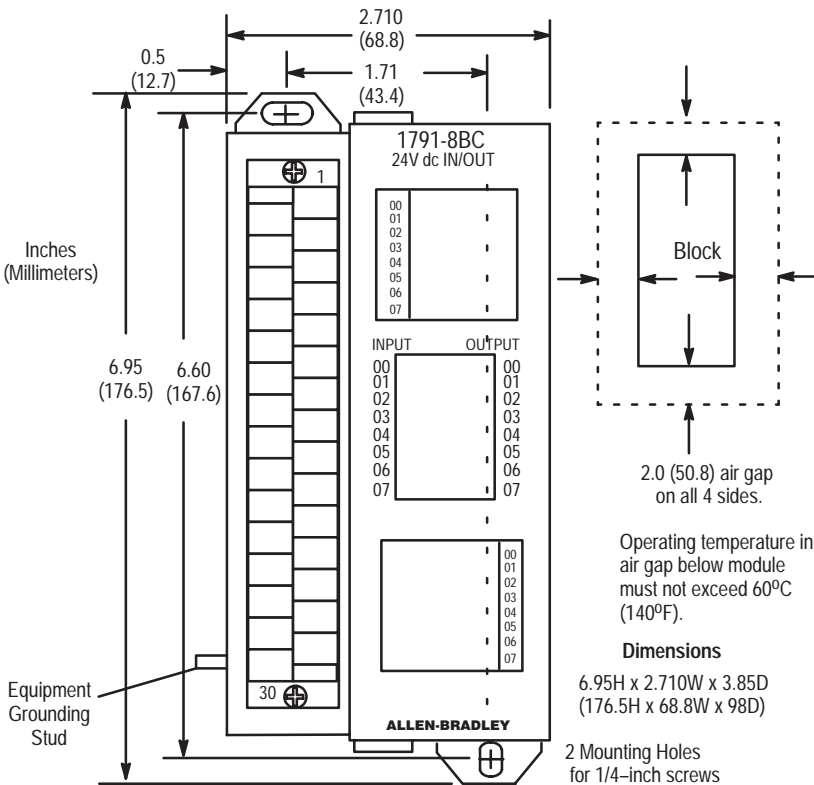
# 8 Input/8 Output DC Block I/O Module

Cat. No. 1791-8BC Series B

## Installation

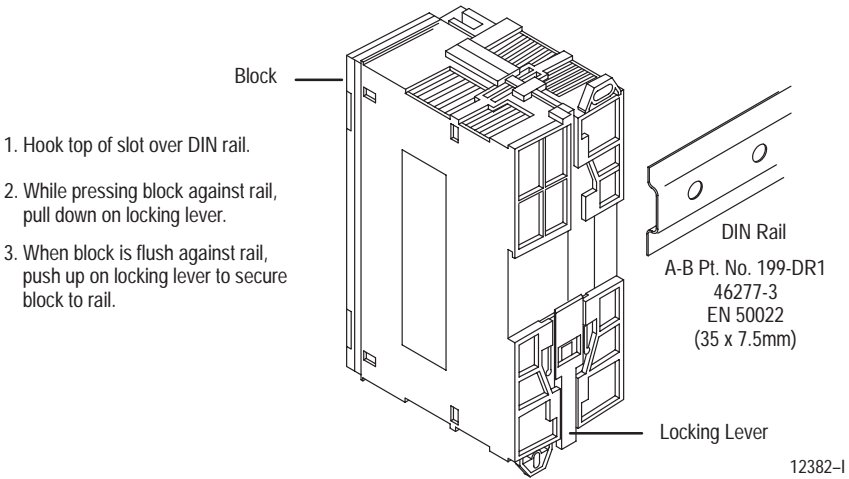
Mount the block I/O module in a vertical (recommended) or horizontal position. Allow sufficient room around the block for cooling air flow through the block module. Refer to Figure 1.

**Figure 1**  
**Mounting Dimensions for the Block I/O Module**  
**Cat. No. 1791-8BC Series B**

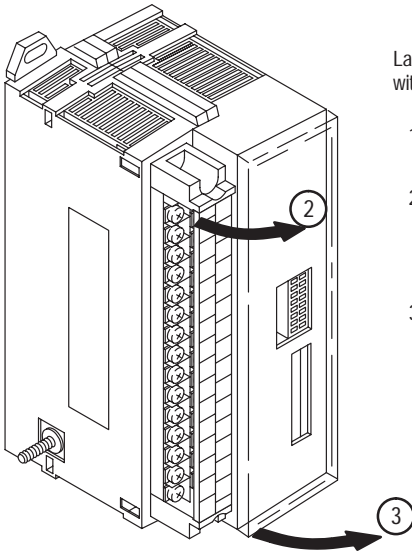


**CAUTION:** When tightening grounding stud nut, do not exceed 15 in-lbs.

**Figure 2**  
**Mounting on a DIN Rail**



**Figure 3**  
**Inserting Labels**



Labels for the front door and terminal strip are supplied with your module.

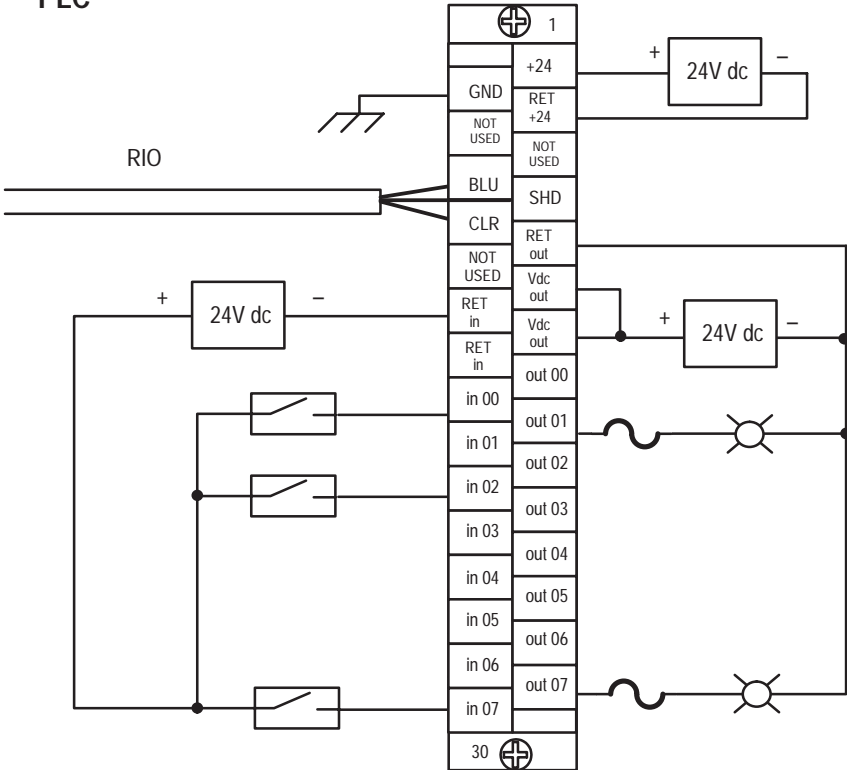
1. Remove die-cut labels from package.
2. Remove plastic cover on terminal strip by flexing in middle. Slip the terminal designation label into built-in holders in terminal strip cover. Flex cover slightly to install.
3. Open clear front door. Slip module designation label into slots that secure it to the door.

12383-I

Connect wiring as shown in Figure 4 or Figure 5.

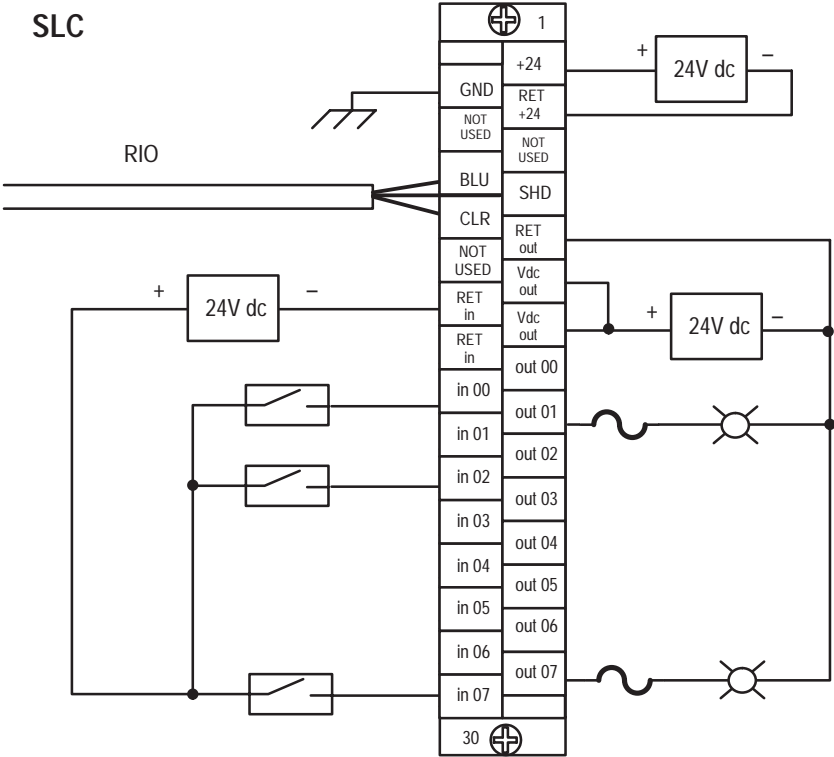
**Figure 4**  
**Wiring Connections for the Block I/O Module with PLC Family**  
**Programmable Controllers (refer to Table A)**

**PLC**



NOTE: RET in connections are internally connected together.  
 Vdc out connections must be externally connected together.  
 Output fusing is recommended. Refer to Table C.

**Figure 5**  
**Wiring Connections for the Block I/O Module with SLC Family**  
**Controllers (refer to Table A)**



NOTE: RET in connections are internally connected together.  
 Vdc out connections must be externally connected together.  
 Output fusing is recommended. Refer to Table C.

12402-I

The block I/O module has an equipment grounding stud on the lower left side of the module. Connect this grounding stud to your equipment ground. Torque the nut to 15 in-lbs maximum when connecting to your equipment ground.



**ATTENTION:** Do not overtighten the nut on the grounding stud when connecting the wire. Damage to the module could result.

Refer to “Programmable Controller Wiring and Grounding Guidelines” (1770-4.1) for further information.

**Table A**  
**Wiring Block Designations**

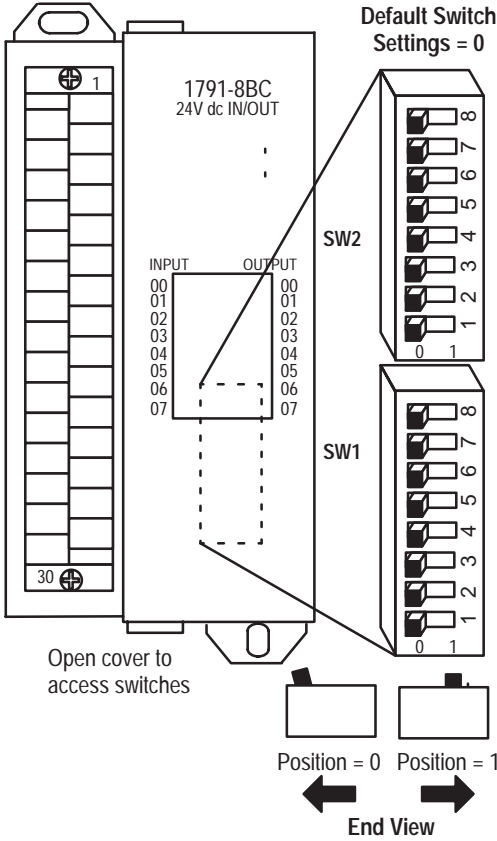
Connections	1791-8BC Series B		
	Designation	Description	Terminal No.
Power Connections	+24	+24V dc Power	1
	RET +24	dc Return	3
	GND	Chassis ground	2 <sup>1</sup>
Remote I/O Connections	BLU	Blue wire – RIO	6
	CLR	Clear wire – RIO	8
	SHD	Shield – RIO	7
I/O Connections			
Input	in 00 thru in 07	Input 00 thru 07	16, 18, 20, 22, 24, 26, 28, 30
	RET in	dc input Return	12, 14 <sup>2</sup>
Output	Vdc out	dc output Supply	11, 13 <sup>3</sup>
	RET out	dc output Return	9
	out 00 thru out 07	Output 00 thru 07	15, 17, 19, 21, 23, 25, 27, 29
	Not used	For internal test only; not for customer use.	4, 5, 10

<sup>1</sup> Connect chassis ground to equipment grounding stud. These are not internally connected.  
<sup>2</sup> Terminals 12 and 14 are internally connected.  
<sup>3</sup> Terminals 11 and 13 must be externally connected by customer.

**Table B**  
**Acceptable Wiring Cables for Block I/O Connection**

Use	Cable Type
Remote I/O link or Distributed I/O link	Belden 9463
Input and output wiring	Up to 14AWG (2mm <sup>2</sup> ) stranded with 3/64 inch insulation

**Figure 6**  
**Switch Settings**



**ATTENTION:** Cycle power to the module after setting the switches.

SW2-8	
Not used	

SW2-7	Filter Speed Select
0	Slow
1	Fast
Note: For inputs only	

SW2-6	Last I/O Group
0	Not last rack
1	Last rack

SW2-5		Processor Restart/Lockout (PRL)
0	Processor Restart	
1	Processor Lockout	

SW2-4		Hold Last State
0	Reset Outputs	
1	Hold Last State	

SW2-3	
Set to 0	

Communication Rate		
SW2-2	SW2-1	Bits/s
0	0	57.6 K
0	1	115.2 K
1	0	230.4 K
1	1	230.4 K

Starting Quarter		
SW1-2	SW1-1	Module Group
0	0	0 (1st)
0	1	2 (2nd)
1	0	4 (3rd)
1	1	6 (4th)

**Installation Instructions**  
**Block I/O**  
**Cat. No. 1791-8BC Series B**

1747-SN Rack Number	1771-SN Rack Number	PLC-2 Rack Number	PLC-5 Rack Number	PLC-5/250 Rack Number	PLC-3 Rack Number	SW1 Switch Position					
						8	7	6	5	4	3
Rack 0	Rack 1	Rack 1	Not Valid	Rack 0	Rack 0	0	0	0	0	0	0
Rack 1	Rack 2	Rack 2	Rack 1	Rack 1	Rack 1	0	0	0	0	0	1
Rack 2	Rack 3	Rack 3	Rack 2	Rack 2	Rack 2	0	0	0	0	1	0
Rack 3	Rack 4	Rack 4	Rack 3	Rack 3	Rack 3	0	0	0	0	1	1
	Rack 5	Rack 5	Rack 4	Rack 4	Rack 4	0	0	0	1	0	0
	Rack 6	Rack 6	Rack 5	Rack 5	Rack 5	0	0	0	1	0	1
	Rack 7	Rack 7	Rack 6	Rack 6	Rack 6	0	0	0	1	1	0
	Rack 7		Rack 7	Rack 7	Rack 7	0	0	0	1	1	1
	Rack 10		Rack 10	Rack 10	Rack 10	0	0	1	0	0	0
	Rack 11		Rack 11	Rack 11	Rack 11	0	0	1	0	0	1
	Rack 12		Rack 12	Rack 12	Rack 12	0	0	1	0	1	0
	Rack 13		Rack 13	Rack 13	Rack 13	0	0	1	0	1	1
	Rack 14		Rack 14	Rack 14	Rack 14	0	0	1	1	0	0
	Rack 15		Rack 15	Rack 15	Rack 15	0	0	1	1	0	1
	Rack 16		Rack 16	Rack 16	Rack 16	0	0	1	1	1	0
	Rack 17		Rack 17	Rack 17	Rack 17	0	0	1	1	1	1
	Rack 20		Rack 20	Rack 20	Rack 20	0	1	0	0	0	0
	Rack 21		Rack 21	Rack 21	Rack 21	0	1	0	0	0	1
	Rack 22		Rack 22	Rack 22	Rack 22	0	1	0	0	1	0
	Rack 23		Rack 23	Rack 23	Rack 23	0	1	0	0	1	1
	Rack 24		Rack 24	Rack 24	Rack 24	0	1	0	1	0	0
	Rack 25		Rack 25	Rack 25	Rack 25	0	1	0	1	0	1
	Rack 26		Rack 26	Rack 26	Rack 26	0	1	0	1	1	0
	Rack 27		Rack 27	Rack 27	Rack 27	0	1	0	1	1	1
	Rack 30			Rack 30	Rack 30	0	1	1	0	0	0
	Rack 31			Rack 31	Rack 31	0	1	1	0	0	1
	Rack 32			Rack 32	Rack 32	0	1	1	0	1	0
	Rack 33			Rack 33	Rack 33	0	1	1	0	1	1
	Rack 34			Rack 34	Rack 34	0	1	1	1	0	0
	Rack 35			Rack 35	Rack 35	0	1	1	1	0	1
	Rack 36			Rack 36	Rack 36	0	1	1	1	1	0
	Rack 37			Rack 37	Rack 37	0	1	1	1	1	1
	Rack 40				Rack 40	1	0	0	0	0	0
	Rack 41				Rack 41	1	0	0	0	0	1
Rack 42				Rack 42	1	0	0	0	1	0	
Rack 43				Rack 43	1	0	0	0	1	1	
Rack 44				Rack 44	1	0	0	1	0	0	
Rack 45				Rack 45	1	0	0	1	0	1	
Rack 46				Rack 46	1	0	0	1	1	0	
Rack 47				Rack 47	1	0	0	1	1	1	
Rack 50				Rack 50	1	0	1	0	0	0	

# Installation Instructions

Block I/O

Cat. No. 1791-8BC Series B

1747-SN Rack Number	1771-SN Rack Number	PLC-2 Rack Number	PLC-5 Rack Number	PLC-5/250 Rack Number	PLC-3 Rack Number	SW1 Switch Position					
						8	7	6	5	4	3
					Rack 51	1	0	1	0	0	1
					Rack 52	1	0	1	0	1	0
					Rack 53	1	0	1	0	1	1
					Rack 54	1	0	1	1	0	0
					Rack 55	1	0	1	1	0	1
					Rack 56	1	0	1	1	1	0
					Rack 57	1	0	1	1	1	1
					Rack 60	1	1	0	0	0	0
					Rack 61	1	1	0	0	0	1
					Rack 62	1	1	0	0	1	0
					Rack 63	1	1	0	0	1	1
					Rack 64	1	1	0	1	0	0
					Rack 65	1	1	0	1	0	1
					Rack 66	1	1	0	1	1	0
					Rack 67	1	1	0	1	1	1
					Rack 70	1	1	1	0	0	0
					Rack 71	1	1	1	0	0	1
					Rack 72	1	1	1	0	1	0
					Rack 73	1	1	1	0	1	1
					Rack 74	1	1	1	1	0	0
					Rack 75	1	1	1	1	0	1
					Rack 76	1	1	1	1	1	0
					Not Valid	1	1	1	1	1	1

Rack address 77 is an illegal configuration.

PLC-5/11 processors can scan rack 03.

PLC-5/15 and PLC-5/20 processors can scan racks 01–03.

PLC-5/25 and PLC-5/30 processors can scan racks 01–07.

PLC-5/40 and PLC-5/40L processors can scan racks 01–17.

PLC-5/60 and PLC-5/60L processors can scan racks 01–27.

PLC-5/250 processors can scan racks 00–37.

The SLC 500 controllers communicate with the block I/O using an I/O Scanner module (cat. no. 1747-SN series A). Refer to the user manual for the 1747-SN/A Scanner module for more information.

**Note:** This block I/O module is **not** compatible with the **1747-DSN** Distributed I/O Scanner module.



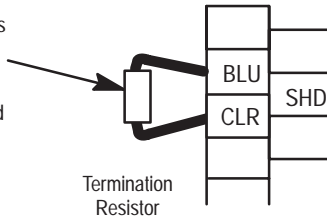
## Termination Resistor

A termination resistor must be installed on the last block in a series. Connect the resistor as shown in Figure 7.

**Figure 7**  
**Installing the Termination Resistor**

Connect termination resistor across terminals 6 (BLU) and 8 (CLR).

150 ohm – 57.6K and 115.2K baud  
82 ohm – 230.4K baud

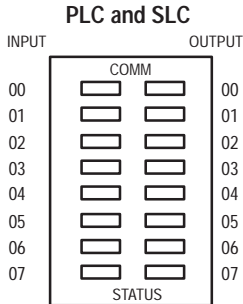


10835-I



**ATTENTION:** Devices that are operating at 230.4K baud must have 82 ohm terminators in place for proper operation.

## Indicators



12406-I

Indicator		Description
COMM	OFF	Communication not established
	ON	Communication established
	Flashing	Processor in Program mode
STATUS	OFF	Normal
	ON	Error (hardware or software), block power low
	Flashing	COMM FAIL – communication cable disconnected, 100ms between valid frames, no more than 255 valid frames between valid frames addressed to block, 20ms idle time exceeded.

COMM and STATUS will alternately flash when processor restart lockout is selected, a fault has occurred and the processor is communicating with the block.

## Installation Instructions

Block I/O

Cat. No. 1791-8BC Series B

## Fusing

The block I/O module is internally fused to protect the module. No external power fusing is required.

The outputs of the block I/O modules are not fused. Fusing of outputs is recommended. If desired to fuse an output, you must provide external fusing.

**Table C**  
**Recommended Fuses**

Type of Circuit	Part Number <sup>1</sup>	Size	Rating in Amps	Maximum Surge Current <sup>2</sup> (repeatable every 2s)
dc	Littelfuse 322 1.25	0.25 in. x 1.25 in.	1.25A	2.25A for 50ms
	SAN-O MQ4-800	5mm x 20mm	800mA <sup>3</sup>	2.0A for 50ms

<sup>1</sup> Note: Do not substitute another fuse for those listed.

<sup>2</sup> The recommended fuses will withstand surges of the above listed currents for the time specified.

<sup>3</sup> Current must be limited to 650mA when using this fuse.

Block I/O modules are derated linearly above 30°C up to and including 60°C.

**Table D**  
**Output Ratings and Non-fused Surge Currents**

Catalog Number	Voltage	Mounting	Max. Output Rating:		Maximum Surge Current <sup>1</sup> (repeatable every 2s)
			@ 30°C	@ 60°C	
1791-8BC/B	24V dc	Vertical	1A	500mA	3A for 50ms
		Horizontal	500mA	250mA	

<sup>1</sup> These surge ratings are for non-fused outputs only.

## 1791-8BC Series B Specifications

Input Specifications		
Inputs per Block		8 – 1 group of 8
On-state Voltage Range		10–30V dc
On-state Current	Maximum Minimum	11.0mA @ 30V 2.5mA @ 10V
Off-state Voltage	Maximum	5V dc
Off-state Current	Minimum	1.5mA
Input Impedance	Maximum	3.4K ohms
Input Signal Delay	Fast Slow	1.0ms on; 5.0ms off (maximum) 1.0ms on; 18.0ms off (maximum)
Output Specifications		
Outputs per Block		8 – 1 group of 8
Output Voltage Range		10–30V dc
Output Current Rating	Vertical Mtg. Horizontal Mtg.	500mA @ 60°C, 1A @ 30°C 250mA @ 60°C, 500mA @ 30°C
Surge Current		3A for 50ms each, repeatable every 2 sec.
Minimum On-state Current		1mA per output
Maximum On-state Voltage Drop		1.0V @ rated current
Off-state Leakage Current (maximum)		0.5mA
Output Signal Delay		0.5ms on; 1.0ms off (maximum)
<b>Specifications continued on next page.</b>		

## Installation Instructions

Block I/O

Cat. No. 1791-8BC Series B

General Specifications		
External Power (internally protected - no external fuse required)	Voltage	19.2–30V dc
	Current	300mA
Dimensions	Inches	6.95H X 2.7W X 3.85D
	Millimeters	176.5H X 68.8W X 98D
Isolation	Power supply to RIO	500V ac
	I/O Group-to-Group	500V ac
	I/O Group-to-Logic	500V ac
Power Dissipation	Maximum	11.8 Watts
Thermal Dissipation	Maximum	41.0 BTU/hr
Environmental Conditions	Operational Temperature	0 to 60°C (32 to 140°F)
	Storage Temperature	–40 to 85°C (–40 to 185°F)
	Relative Humidity	5 to 95% noncondensing
Conductors	Wire Size	14 gauge (2mm <sup>2</sup> ) stranded maximum 3/64 inch insulation maximum
	Category	2 <sup>1</sup>

<sup>1</sup> You use this conductor category information for planning conductor routing as described in the system level installation manual.



**ALLEN-BRADLEY**  
A ROCKWELL INTERNATIONAL COMPANY

**WORLD HEADQUARTERS**  
Allen-Bradley  
1201 South Second Street  
Milwaukee, WI 53204 USA  
Tel: (414) 382-2000  
Telex: 43 11 016  
FAX: (414) 382-4444

With offices in major cities worldwide \_\_\_\_\_