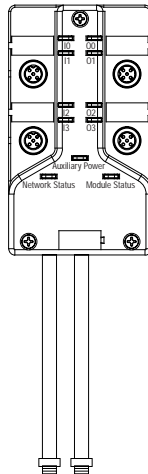




Installation Instructions

ArmorBlock LP2 4 Sinking Input / 4 Output Module

(Cat. No. 1792D-4BT4LP)



41622

This ArmorBlock LP2™ I/O module (Cat. No. 1792D-4BT4LP) is a stand-alone 24V dc I/O product which communicates via a DeviceNet network. The sealed housing of this module requires no enclosure.

This module has 4 sinking inputs and 4 sourcing outputs accessed through Y splitter cables. Four self-protected 24V dc outputs can provide up to 300mA each.

Package Contents

Your package contains:

- 1 ArmorBlock LP2 Module
- Installation Instructions

European Union Directive Compliance

If this product has the CE mark it is approved for installation within the European Union and EEA regions. It has been designed and tested to meet the following directives.

EMC Directive

This product is tested to meet Council Directive 89/336/EEC Electromagnetic Compatibility (EMC) and the following standards, in whole or in part, documented in a technical construction file:

- EN 50081-2 EMC - Generic Emission Standard, Part 2 - Industrial Environment
- EN 50082-2 EMC - Generic Immunity Standard, Part 2 - Industrial Environment

This product is intended for use in an industrial environment.

Low Voltage Directive

This product is tested to meet Council Directive 73/23/EEC Low Voltage, by applying the safety requirements of EN 61131-2 Programmable Controllers, Part 2 - Equipment Requirements and Tests.

For specific information required by EN 61131-2, see the appropriate sections in this publication, as well as the following Allen-Bradley publications:

- Industrial Automation Wiring and Grounding Guidelines For Noise Immunity, publication 1770-4.1
- Automation Systems Catalog, publication B111

Install Your ArmorBlock LP2 I/O Module

To install the module:

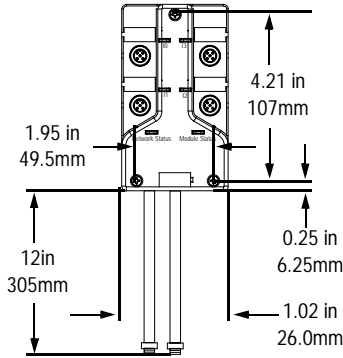
- Set the node address and baud rate.
- Mount the module.
- Connect the unit to the DeviceNet trunk and the auxiliary power source.
- Connect the cord sets.

Set the Node Address

Set the node address using RSNetwork for DeviceNet software, DeviceNetManager™ software, or another software configuration tool. The module is equipped with AutoBaud detect. AutoBaud lets the module read the settings already in use on your DeviceNet network and automatically adjusts to follow those settings.

Install the Module

1. Attach the module using the dimensions shown below.



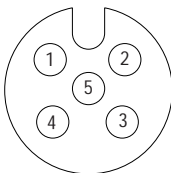
2. Connect the grey DeviceNet cable to the DeviceNet trunk. Use the 1485P-PIR5-MN5R1 T-Part tap to connect to round media. Use the 1485P-PIE4-R5 to connect to the Kwik Link flat media system.

Connect the Input / Output Cord Sets to the LP2 Module

This module uses 5 pin micro (12mm) style PCB mounted connectors.

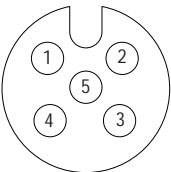
Four micro caps cover the connectors on your module. Remove the caps and connect your cord sets to the appropriate ports. This product has two inputs or outputs per I/O connector. Use a “Y” splitter cable for access to all I/O connections. For more information on these cables, see the Product Data guide publication 1792-2.1.

Use the micro caps to cover and seal unused ports. Pinout diagrams for the connectors are shown next.



Input Micro-Connector (View into Sockets)

- Pin 1 Sensor Source Voltage
- Pin 2 Input B
- Pin 3 Return Logic Ground¹
- Pin 4 Input A
- Pin 5 Not Used



Output Micro-Connector (View into Sockets)

- Pin 1 Not Used
- Pin 2 Output B
- Pin 3 Auxiliary Power Ground
- Pin 4 Output A
- Pin 5 Not Used

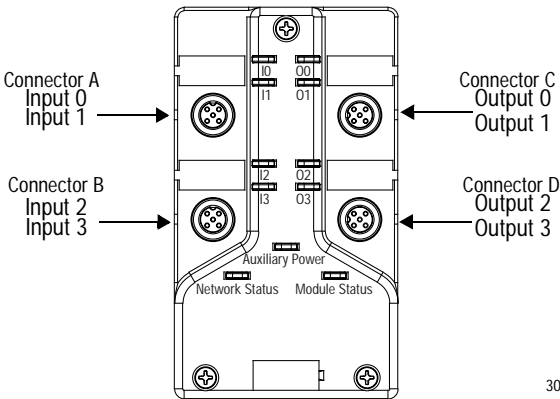
41452

¹ Logic Ground is approximately 0.4V above DeviceNet V-measured at the module.

**ATTENTION:**

- Make sure to connect the proper color coded cables together. DeviceNet cable should connect to DeviceNet cables and auxillary outputs should match auxillary outputs.
- Make sure all connectors and caps are securely tightened to properly seal the connections against leaks and maintain IP67 requirements
- For maximum noise immunity, input and output cable return wires must be properly terminated. When inputs and outputs are connected in loopback, return wires should be connected together.
- I/O cable length should be less than 30 meters.

I/O connectors for this module are shown below.



30706-M

Output Power and DeviceNet Cables

Refer to the DeviceNet Cable Planning and Installation Manual for more information on output power and DeviceNet cables for your application.

Communicate With Your ArmorBlock LP2 I/O Module

This ArmorBlock module's I/O is exchanged with the master through a polled, change of state, or cyclic connection.

The module consumes and produces I/O data as follows:

Type of I/O Connections	Consumes	Produces
Cyclic	1 Byte	1 Byte
Polled	1 Byte	1 Byte
Change of State	1 Byte	1 Byte

Cyclic - allows configuration of the block as an I/O client. The block will produce and consume its I/O cyclically at the rate configured.

Polled - a master initiates communication by sending its polled I/O message to the module. The 4 input / 4 output module consumes the message, updates outputs, and produces a response. The response has input data, and the status of the Auxiliary power.

Change of state - productions occur when an input changes. If no input change occurs within the expected packet rate, a heartbeat production occurs. This heartbeat production tells the scanner module that the I/O module is alive and ready to communicate. Consumption occurs when data changes and the master produces new output data to the I/O module.

Refer to the table below for the word/bit definitions.

Bit	07	06	05	04	03	02	01	00
Produces 0	RSVD	OPWR	RSVD	RSVD	I3	I2	I1	I0
Consumes 0	RSVD	RSVD	RSVD	RSVD	O3	O2	O1	O0

Where: RSVD= Reserved

I = Input

O = Output

OPWR= Output Power (Auxiliary Power)

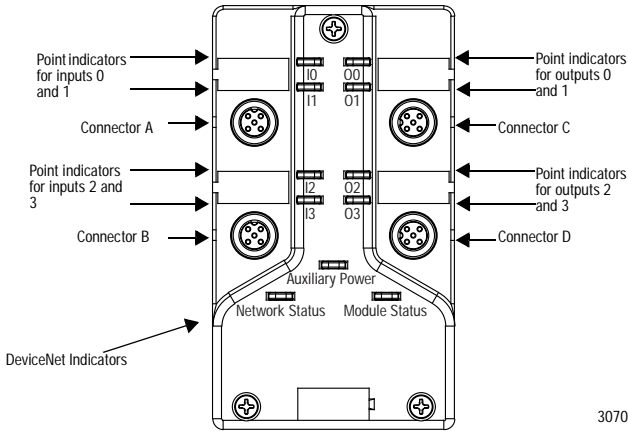
Byte	Bit	Description
Produces 0	00-03	Input status bits: When the bit is set (1), the input is on. Bit 00 corresponds to input 0, bit 01 corresponds to input 1, bit 02 corresponds to input 2, bit 03 corresponds to input 3.
	04	Reserved
	05	Reserved
	06	Output Powr Fault (OPWR): When the bit is set (1) auxilary power is not present.
	07	Reserved
Consumes 0	00-03	Output bits: When the bit is set (1), the output will be turned on. Bit 00 corresponds to output 0, bit 01 corresponds to output 1, bit 02 to output 2, bit 03 to output 3.
	04-07	Reserved

The DeviceNet Network uses advanced network technology, producer/consumer communication, to increase network functionality and throughput. Visit our web site at <http://www.ab.com/networks> for producer/consumer technology information and updates.

Troubleshoot with the Indicators

This module has the following indicators:

- Network status indicator
- Module status indicator
- Auxiliary Power indicator
- Individual point status indicators for inputs 0, 1, 2, and 3 and outputs 0, 1, 2, and 3.



30706-M

Module Status Indicator	
Indication	Status
None	No Power
Green	Needs Commissioning Operating Normal
Blinking	
Solid	
Red	Recoverable Fault Unrecoverable Fault
Blinking	
Solid	

Network Status Indicator	
Indication	Status
None	Not On-line
Green Blinking Solid	On-line/No Connections On-line/Connected
Red Blink Solid	Connection Timed Out Failed Communication: A duplicate node address exists or module is at the wrong baud rate.

Auxiliary Power

Indication	Status
None	No Auxiliary Power
Green Solid	Auxiliary Power Present

I/O Status Indicators

Function	Module Status Indicator	Point Indicator	Condition
Outputs	Green Green	None Yellow	Output not energized Output energized
Inputs	Green Green	None Yellow	No valid input Valid input

For more information on indications see the Product Data publication 1792-2.1.

Specifications

4 Input / 4 Output Module - Cat. No. 1792D-4BT4LP

Sinking Input Specifications	Max	Min
Inputs per block	4 - 3 wire or dry contact PNP devices or 2 - 4 wire PNP devices	
Sensor Source Current (per input)	50mA	-
On-state Voltage	25V dc	10V dc
On-state Current	10mA	2mA
Off-state Voltage	5V dc	
Off-state Current		1.5mA
Sourcing Output Specifications	Max	Min
Outputs per block	4 sourcing outputs labeled O0, O1, O2, and O3	
Output Auxiliary Voltage	30V	10V
On-state Voltage Drop	1V	-
On-state Current	0.3A	-
Off-state Leakage	1.5mA	-
Module Current (all outputs)	1.2A	-
Surge Current - for 10ms, repeatable every 2s	0.6A	-
No Load Sense Current (On-state)	0.18A	-

General Specifications

Indicators	Network Status - red/green Module Status - red/green Auxiliary Power - green Point LED - yellow	
Communication Rate	<ul style="list-style-type: none"> • 125Kbps @ 500 meters(1600 feet) for thick cable, flat media length 375 meters • 250Kbps @ 200 meters(600 feet) for thick cable, flat media length 150 meters • 500Kbps @ 100 meters (330 feet) for thick cable, flat media length 75 meters 	
DeviceNet Power Voltage Current	25V dc 125mA (no sensors) 300mA (full load)	11V dc
Auxiliary Power Voltage Current	30V dc 1.2A max	10V dc 1.2A max
Dimensions (assembled to base) inches - (Millimeters)	1.023H x 2.7w x 4.72D (26)H x (68.5)W x (120)D	

4 Input / 4 Output Module - Cat. No. 1792D-4BT4LP

General Specifications Cont.	Max	Min
Environmental Conditions Operational Temperature Storage Temperature Relative Humidity Shock Operating Non-operating Vibration	-25 to 60 ^o (-13 to 140 ^o F) -25 to 80 ^o C (-13 to 176 ^o F) Up to 100% 30g peak acceleration, 11 (+1) ms pulse width 50g peak acceleration, 11(+1)ms pulse width Tested 10g @ 10-500Hz per IEC 68-2-6	
Conductors	Publication DN-6.7.2	
Enclosure	Meets or exceeds IP67	
Agency Certification (when product is marked)	<ul style="list-style-type: none"> • CE marked for all applicable directives 	

This product has been tested at an Open DeviceNet Vendor Association, Inc. (ODVA) authorized independent test laboratory and found to comply with ODVA Conformance Test Software Composite Test Version 11.

ArmorBlock, ArmorBlock LP2 and DeviceNetManager are trademarks of Rockwell Automation.



Rockwell Automation helps its customers receive a superior return on their investment by bringing together leading brands in industrial automation, creating a broad spectrum of easy-to-integrate products. These are supported by local technical resources available worldwide, a global network of system solutions providers, and the advanced technology resources of Rockwell.

Worldwide representation.



Argentina • Australia • Austria • Bahrain • Belgium • Bolivia • Brazil • Bulgaria • Canada • Chile • China, People's Republic of • Colombia • Costa Rica • Croatia • Cyprus • Czech Republic • Denmark • Dominican Republic • Ecuador • Egypt • El Salvador • Finland • France • Germany • Ghana • Greece • Guatemala • Honduras • Hong Kong • Hungary • Iceland • India • Indonesia • Iran • Ireland • Israel • Italy • Jamaica • Japan • Jordan • Korea • Kuwait • Lebanon • Macau • Malaysia • Malta • Mexico • Morocco • The Netherlands • New Zealand • Nigeria • Norway • Oman • Pakistan • Panama • Peru • Philippines • Poland • Portugal • Puerto Rico • Qatar • Romania • Russia • Saudi Arabia • Singapore • Slovakia • Slovenia • South Africa, Republic of • Spain • Sweden • Switzerland • Taiwan • Thailand • Trinidad • Tunisia • Turkey • United Arab Emirates • United Kingdom • United States • Uruguay • Venezuela

Rockwell Automation Headquarters, 1201 South Second Street, Milwaukee, WI 53204 USA, Tel: (1) 414 382-2000, Fax: (1) 414 382-4444

Rockwell Automation European Headquarters SANV, avenue Hermann Debrouxaan, 46, 1160 Brussels, Belgium, Tel: (32) 2 883 06 00, Fax: (32) 2 883 06 40

Rockwell Automation Asia Pacific Headquarters, 27/F Citicorp Centre, 18 Whitfield Road, Causeway Bay, Hong Kong, Tel: (852) 2887 4788, Fax: (852) 2508 1848