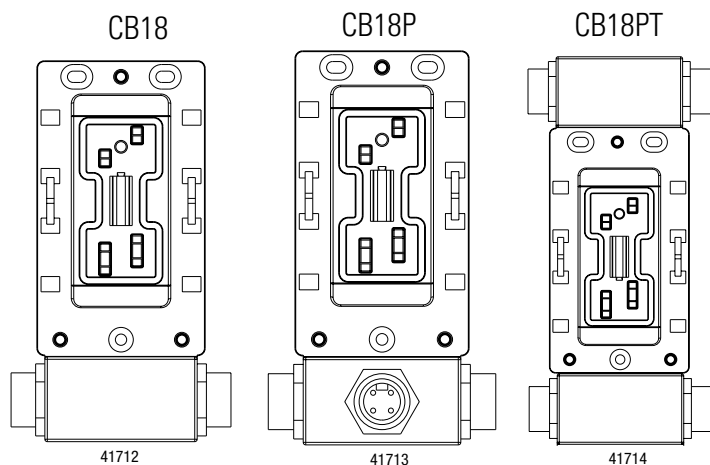




Installation Instructions

ArmorBlock MaXum I/O Cable Bases Series B

(Cat. No. 1792D-CB18, -CB18P, -CB18PT)



The 18mm ArmorBlock MaXum™ I/O Cable Bases mate with 4 or 8 point modules depending on your installation requirements. No modification is required. Modules are interchangeable whether flat or round media cable bases are used. This interchangeability provides plug and play block upgrade capability and easy field replacement. The completely assembled ArmorBlock module and base requires no enclosure.

These instructions describe the installation of each cable base. The catalog numbers for the cable bases are:

- 1792D-CB18 for 18mm trunk or drop cable installation
- 1792D-CB18P, -CB18PT for 18mm trunk or drop cable installation when an auxiliary output power connection is necessary

IMPORTANT

ArmorBlock MaXum modules and media cables are ordered and shipped separately.

Install Your ArmorBlock Cable Base

To install the cable base:

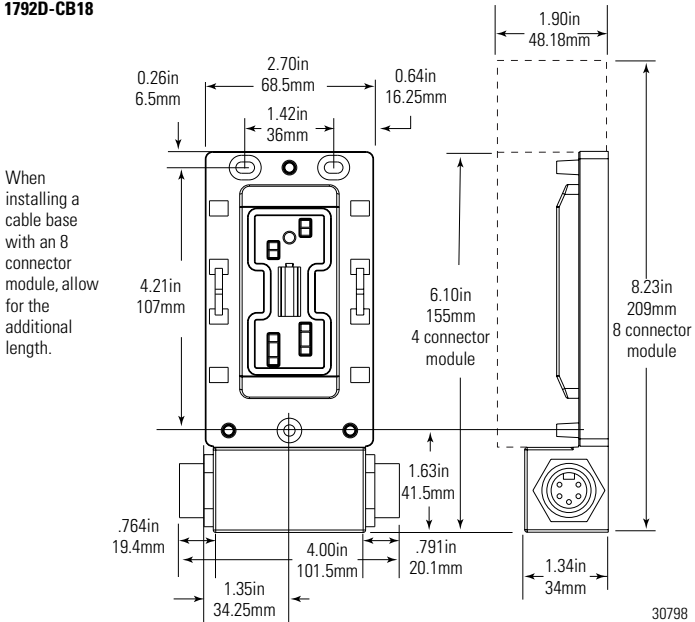
- Mount the cable base
- Attach the module to the base
- Attach the cables

These procedures are explained in detail in the following sections.

Mount the Cable Base

The cable base can be mounted either vertically or horizontally, using 3 screws. Cable bases accommodate 4 or 8 point ArmorBlock MaXum modules. You must allow additional space for installation of 8 point ArmorBlock MaXum modules. They are longer than the 4 point modules.

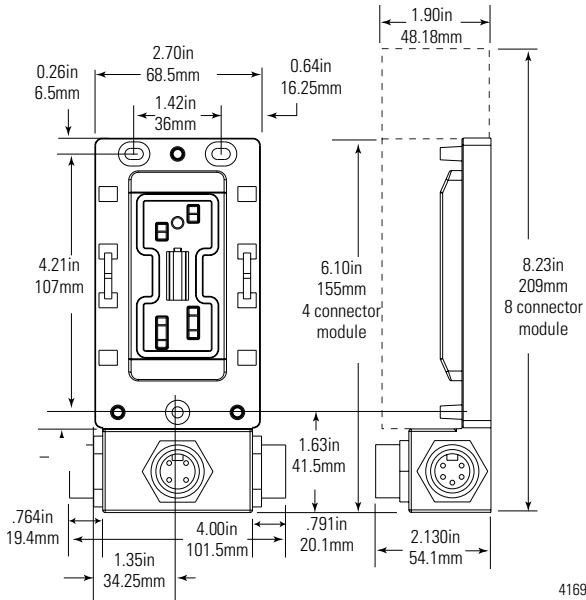
1792D-CB18



4 ArmorBlock MaXum I/O Cable Bases Series B

1792D-CB18P

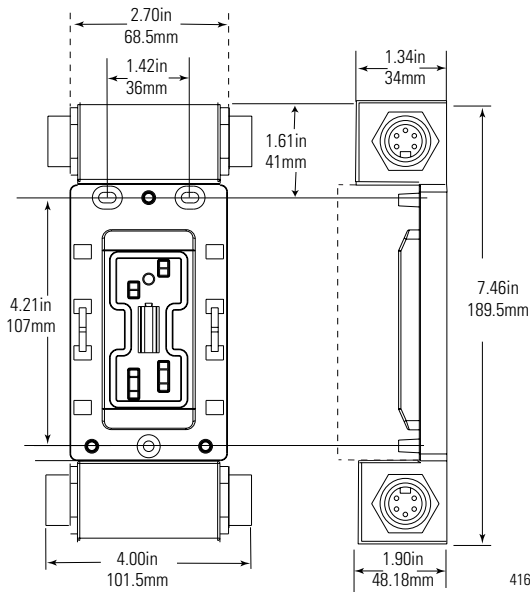
When installing a cable base with an 8 connector module, allow for the additional length.



41696

1792D-CB18PT

This base accommodates only 4 connector modules.

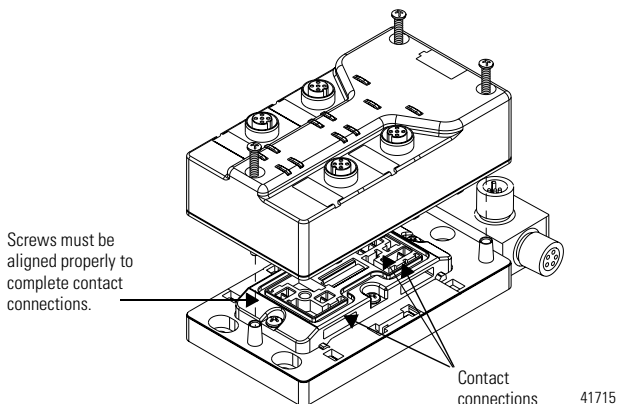


41623

Attach the Module

IMPORTANT Make sure you properly align the screws to complete the connections between the module contacts and the cable contacts.

1. Position the module over the mounted cable base. Align the three captive screws in the module with the accepting receptacles in the base.
2. Tighten the screws with a torque of 8 inch-pounds to secure the module to the base.



ArmorBlock MaXum I/O modules are described in the following publications:

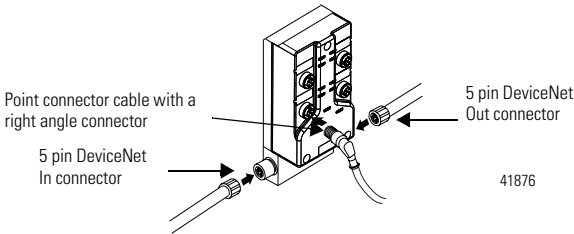
- 1792D series of ArmorBlock MaXum Installation Instructions
- 1792-TD001B-EN-P ArmorBlock Technical Data

The DeviceNet Network uses advanced network technology, producer/consumer communication, to increase network functionality and throughput. Visit our web site at <http://www.ab.com/networks> for producer/consumer technology information and updates.

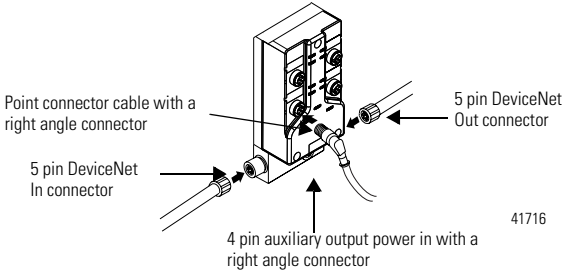
Attach the Cables

1. Attach your network cable and power cable (if used) to the connectors.
2. Cover the power connector with a cap if it is not used.
3. Attach your point connector cables.

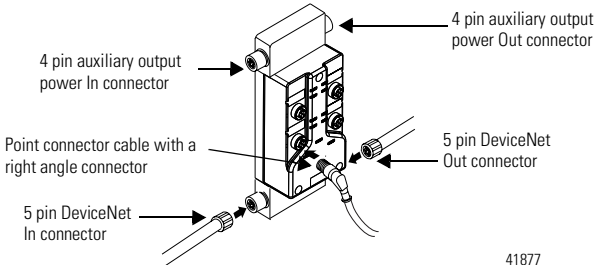
1792D-CB18



1792D-CB18P

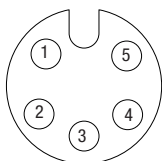


1792D-CB18PT



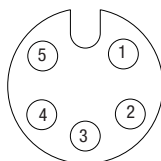
Use the graphics below to connect DeviceNet cable to your module.

DeviceNet In Connector (looking into pins)

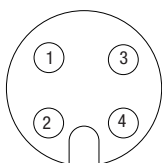


Pin 1 Drain
Pin 2 V+
Pin 3 V-
Pin 4 CAN_H
Pin 5 CAN_L

DeviceNet Out Connector (looking into sockets)

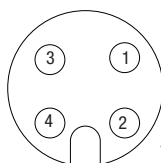


Auxiliary Output Power In Connector (looking into pins)



Pin 1 24Vdc
Pin 2 Not Used
Pin 3 Not Used
Pin 4 Return

Auxiliary Output Power In Connector (looking into sockets)



41878

Specifications

I/O Cable Bases - Cat. No. 1792D-CB18, -18P, -18PT

General Specifications

For general specifications, see the ArmorBlock MaXum module's documentation or the Technical Data, publication number 1792-TD001B-EN-P. The specifications listed in these publications are for the assembled module and cable base.

Hazardous Location Approval

The following information applies only to products marked with Hazardous Location Approval, when operating in hazardous locations:

Products marked “CL I, DIV 2, GP A, B, C, D” are suitable for use in Class I Division 2 Groups A, B, C, D, Hazardous Locations and nonhazardous locations only. Each product is supplied with markings on the rating nameplate indicating the hazardous location temperature code. When combining products within a system, the most adverse temperature code (lowest “T” number) may be used to help determine the overall temperature code of the system. Combinations of equipment in your system are subject to investigation by the local Authority Having Jurisdiction at the time of installation.

WARNING



EXPLOSION HAZARD -

- Do not disconnect equipment unless power has been removed or the area is known to be nonhazardous.
 - Do not disconnect connections to this equipment unless power has been removed or the area is known to be nonhazardous. Secure any external connections that mate to this equipment by using screws, sliding latches, threaded connectors, or other means provided with this product.
 - Substitution of components may impair suitability for Class I, Division 2.
 - If this product contains batteries, they must only be changed in an area known to be nonhazardous.
-

WARNING



Use supply wires suitable for 30°C above surrounding ambient.

WARNING

When used in a Class I, Division 2, hazardous location, this equipment must be mounted in a suitable enclosure with proper wiring method that complies with the governing electrical codes.

Les informations suivantes ne concernent que les produits marqués pour une utilisation en environnements dangereux :

Les produits marqués « CL I, DIV 2, GP A, B, C, D » ne conviennent qu'à une utilisation en environnements de Classe I Division 2 Groupes A, B, C, D dangereux et non dangereux. Chaque produit est livré avec des marquages sur sa plaque d'identification qui indiquent le code de température pour les environnements dangereux. Lorsque plusieurs produits sont combinés dans un système, le code de température le plus défavorable (code de température le plus faible) peut être utilisé pour déterminer le code de température global du système. Les combinaisons d'équipements dans le système sont sujettes à inspection par les autorités locales qualifiées au moment de l'installation.

AVERTISSEMENT**RISQUE D'EXPLOSION -**

- Couper le courant ou s'assurer que l'environnement est classé non dangereux avant de débrancher l'équipement.
- Couper le courant ou s'assurer que l'environnement est classé non dangereux avant de débrancher les connecteurs. Fixer tous les connecteurs externes reliés à cet équipement à l'aide de vis, loquets coulissants, connecteurs filetés ou autres moyens fournis avec ce produit.
- La substitution de composants peut rendre cet équipement inadapté à une utilisation en environnement de Classe I, Division 2.
- S'assurer que l'environnement est classé non dangereux avant de changer les piles.

AVERTISSEMENT



Utiliser des fils d'alimentation qui conviennent à une température de 30°C au-dessus de la température ambiante.

AVERTISSEMENT



Pour une utilisation en environnement de classe i, division 2 dangereux, cet équipement doit être monté dans un boîtier avec un câblage approprié conforme aux normes électriques en vigueur.

This product has been tested at an Open DeviceNet Vendor Association, Inc. (ODVA) authorized independent test laboratory and found to comply with ODVA Conformance Test. Please contact the ODVA website (<http://www.odva.org>) for listing of products tested by ODVA independent test labs for further details.

ArmorBlock and ArmorBlock MaXum are trademarks of Rockwell Automation.
DeviceNet is a trademark of Open DeviceNet Vendor Association (ODVA).

Reach us now at www.rockwellautomation.com

Wherever you need us, Rockwell Automation brings together leading brands in industrial automation including Allen-Bradley controls, Reliance Electric power transmission products, Dodge mechanical power transmission components, and Rockwell Software. Rockwell Automation's unique, flexible approach to helping customers achieve a competitive advantage is supported by thousands of authorized partners, distributors and system integrators around the world.

Americas Headquarters, 1201 South Second Street, Milwaukee, WI 53204, USA, Tel: (1) 414 382-2000, Fax: (1) 414 382-4444
European Headquarters SA/AV, avenue Hermann Dierbroux, 46, 1160 Brussels, Belgium, Tel: (32) 2 663 06 00, Fax: (32) 2 663 06 40
Asia Pacific Headquarters, 27/F Citicorp Centre, 18 Whitfield Road, Causeway Bay, Hong Kong, Tel: (852) 2387 4788, Fax: (852) 2508 1846



**Rockwell
Automation**

Publication 1792D-IN036B-EN-P - September 2000

Supersedes Publication 1792D-5.36 - April 1999

PN 957395-96

© 2000 Rockwell International Corporation. Printed in USA