

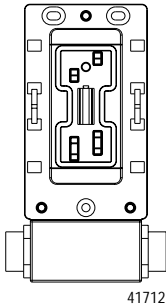


Installation Instructions

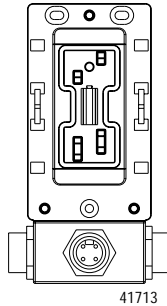
ArmorBlock MaXum I/O Cable Bases

(Cat. No. 1792D-CB18, -CB18P, -CB18PT)

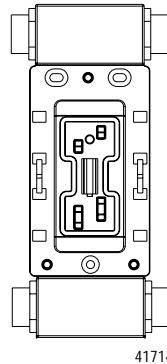
CB18



CB18P



CB18PT



The 18mm ArmorBlock MaXum™ I/O Cable Bases mate with 4 or 8 point modules depending on your installation requirements. No modification is required. Modules are interchangeable whether flat or round media cable bases are used. This interchangeability provides plug and play block upgrade capability and easy field replacement. The completely assembled ArmorBlock module and base requires no enclosure.

These instructions describe the installation of each cable base. The catalog numbers for the cable bases are:

- 1792D-CB18 for 18mm trunk or drop cable installation
- 1792D-CB18P, -CB18PT for 18mm trunk or drop cable installation when an auxiliary output power connection is necessary

Important: ArmorBlock MaXum modules and media cables are ordered and shipped separately.

ArmorBlock, ArmorBlock MaXum and KwikLink are trademarks of Rockwell Automation

Publication 1792D-5.36 - April 1999

European Union Directive Compliance

If this product has the CE mark it is approved for installation within the European Union and EEA regions. It has been designed and tested to meet the following directives.

EMC Directive

This product is tested to meet Council Directive 89/336/EEC Electromagnetic Compatibility (EMC) and the following standards, in whole or in part, documented in a technical construction file:

- EN 50081-2 EMC - Generic Emission Standard, Part 2 - Industrial Environment
- EN 50082-2 EMC - Generic Immunity Standard, Part 2 - Industrial Environment

This product is intended for use in an industrial environment.

Low Voltage Directive

This product is tested to meet Council Directive 73/23/EEC Low Voltage, by applying the safety requirements of EN 61131-2 Programmable Controllers, Part 2 - Equipment Requirements and Tests.

For specific information required by EN 61131-2, see the appropriate sections in this publication, as well as the following Allen-Bradley publications:

- Industrial Automation Wiring and Grounding Guidelines For Noise Immunity, publication 1770-4.1
- Automation Systems Catalog, publication B111

Package Contents for 1792D-CB18, -CB18P, -CB18PT Cable Bases

Your package contains:

- 1 ArmorBlock 18mm cable base
- 2, 3 or 4 - 18mm protective caps, depending on base used
- installation instructions

Install Your ArmorBlock Cable Base

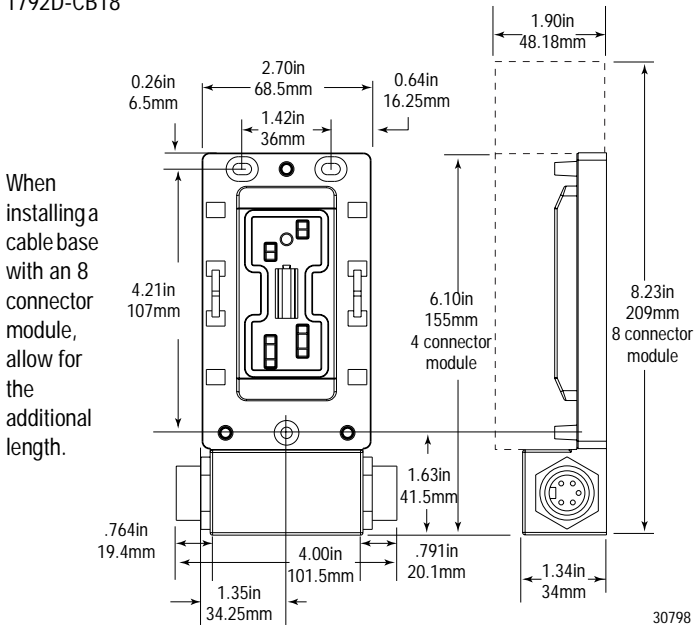
To install the cable base:

- Mount the cable base
- Attach the module to the base
- Attach the cables

Mount the Cable Base

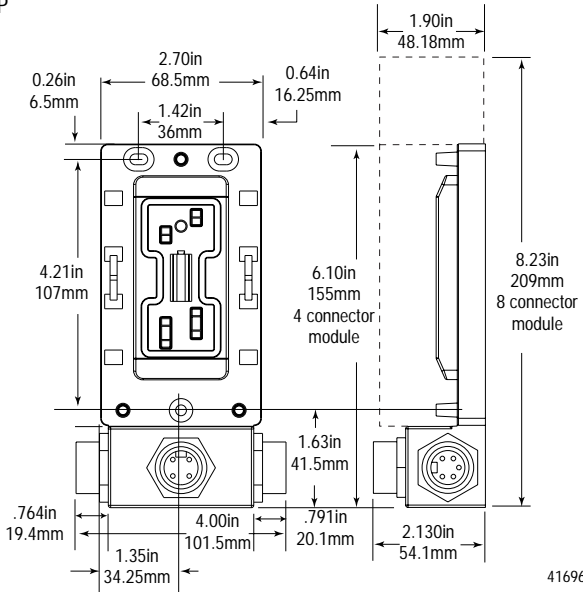
The cable base can be mounted either vertically or horizontally, using 3 screws. Cable bases accommodate 4 or 8 point ArmorBlock MaXum modules. You must allow additional space for installation of 8 point ArmorBlock MaXum modules. They are longer than the 4 point modules.

1792D-CB18



1792D-CB18P

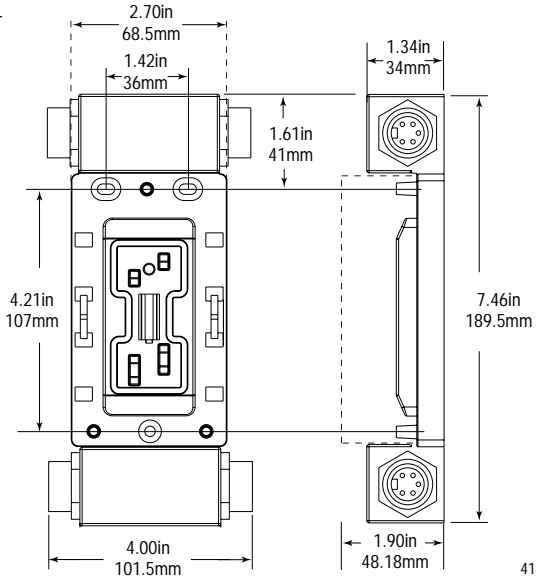
When installing a cable base with an 8 connector module, allow for the additional length.



41696

1792D-CB18PT

This base accommodates only 4 connector modules.

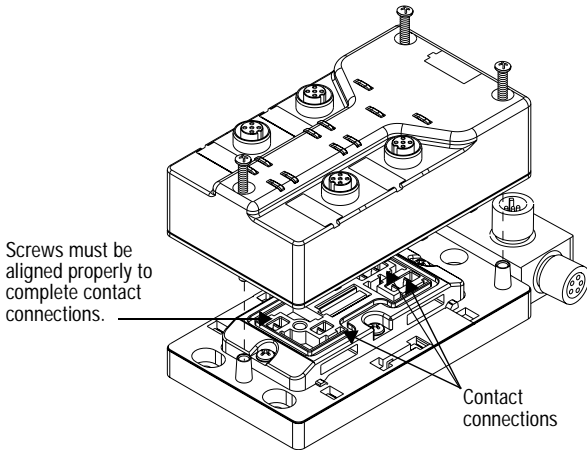


41623

Attach the Module

Important: Make sure you properly align the screws to complete the connections between the module contacts and the cable contacts.

1. Position the module over the mounted cable base. Align the three captive screws in the module with the accepting receptacles in the base.
2. Tighten the screws with a torque of 8 inch-pounds to secure the module to the base.



41715

ArmorBlock MaXum I/O modules are described in the following publications:

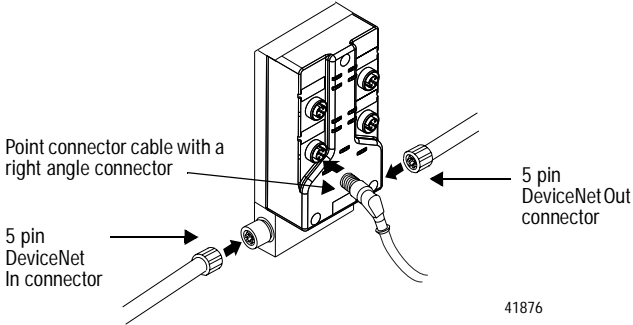
- 1792D-5.12 through 5.29 ArmorBlock MaXum Installation Instructions
- 1792-2.1 ArmorBlock Product Data

The DeviceNet Network uses advanced network technology, producer/consumer communication, to increase network functionality and throughput. Visit our web site at <http://www.ab.com/networks> for producer/consumer technology information and updates.

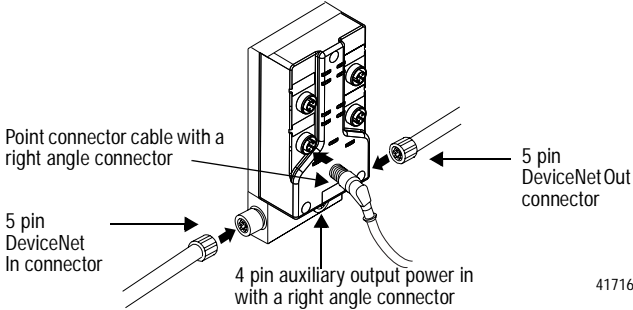
Attach the Cables

1. Attach your network cable and power cable (if used) to the connectors.
2. Cover the power connector with a cap if it is not used.
3. Attach your point connector cables.

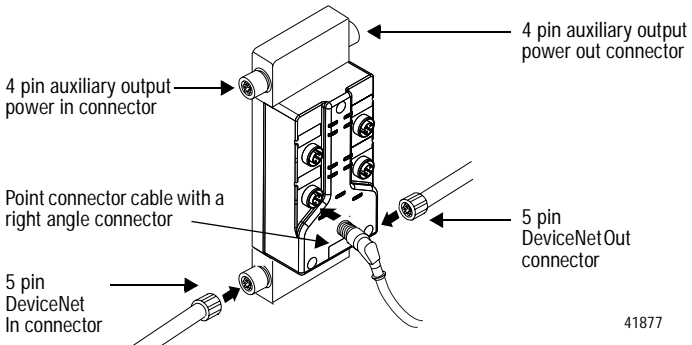
1792D-CB18



1792D-CB18P

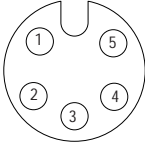


1792D-CB18PT



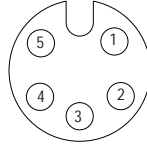
Use the graphics below to connect DeviceNet cable to your module.

DeviceNet In Connector
(looking into pins)

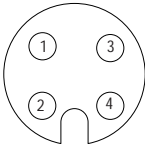


Pin 1 Drain
Pin 2 V+
Pin 3 V-
Pin 4 CAN_H
Pin 5 CAN_L

DeviceNet Out Connector
(looking into sockets)

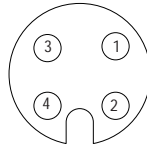


Auxiliary Output Power In
Connector (looking into pins)



Pin 1 24Vdc
Pin 2 Not Used
Pin 3 Not Used
Pin 4 Return

Auxiliary Output Power In
Connector (looking into sockets)



41878

Specifications

I/O Cable Bases - Cat. No. 1792D-CB18, -18P, -18PT

General Specifications

For general specifications, see the ArmorBlock MaXum module's documentation or the Product Data 1792-2.1. The specifications listed in these publications are for the assembled module and cable base.

Reach us now at www.rockwellautomation.com

Wherever you need us, Rockwell Automation brings together leading brands in industrial automation including Allen-Bradley controls, Reliance Electric power transmission products, Dodge mechanical power transmission components, and Rockwell Software. Rockwell Automation's unique, flexible approach to helping customers achieve a competitive advantage is supported by thousands of authorized partners, distributors and system integrators around the world.

Americas Headquarters, 1201 South Second Street, Milwaukee, WI 53204, USA, Tel: (1) 414 382-2000, Fax: (1) 414 382-4444
European Headquarters SA/NV, avenue Herrmann Debroux, 46, 1160 Brussels, Belgium, Tel: (32) 2 663 06 00, Fax: (32) 2 663 06 40
Asia Pacific Headquarters, 27/F Citicorp Centre, 18 Whitfield Road, Causeway Bay, Hong Kong, Tel: (852) 2887 4788, Fax: (852) 2508 1846

Publication 1792D-5.36 - April 1999



**Rockwell
Automation**

PN 955138-05

© (1999) Rockwell International Corporation. Printed in USA