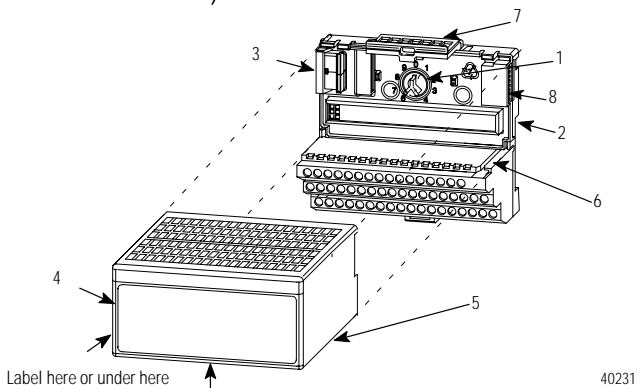




FLEX Ex 8 Input Analog Module with Noise Filter

(Cat. No. 1797-IE8NF)



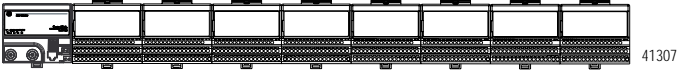
40231

Module Installation

This module must be used with a 1797-TB3 or -TB3S intrinsically safe terminal base unit.

1. Rotate keyswitch (1) on terminal base unit (2) clockwise to position 3 as required for this type of module. **Do not change the position of the keyswitch after wiring the terminal base unit**
2. Make certain the flexbus connector (3) is pushed all the way to the left to connect with the neighboring terminal base/ adapter. You cannot install the module unless the connector is fully extended.
3. Make sure the pins on the bottom of the module are straight so they will align properly with the connector in the terminal base unit.
4. Position the module (4) with its alignment bar (5) aligned with the groove (6) on the terminal base.

5. Press firmly and evenly to seat the module in the terminal base unit. The module is seated when the latching mechanism (7) is locked into the module.
6. Make certain that you only connect terminal base units to other intrinsically safe system modules or adapters to maintain the integrity of the intrinsically-safe backplane.



7. Remove cap plug (8) and attach another intrinsically safe terminal base unit to the right of this terminal base unit if required.

Installation in Zone 1

This module must not be exposed to the environment. Provide a suitable metal enclosure. This module has a protection factor of IP20.

ATTENTION



This module cannot be used in an intrinsically safe environment after it has been exposed to non-intrinsically safe signals.

Electrostatic Charge

Protect the system against electrostatic charge. Post a sign near this module: **Attention! Avoid electrostatic charge.** For your convenience, a sign which can be cut out and posted is included in this installation instruction.

Removal and Insertion Under Power

ATTENTION

This module is designed so you can **remove and insert it under power**. However, take special care when removing or inserting this module in an active process. I/O attached to any module being removed or inserted can change states due to its input/output signal changing conditions.

European Communities (EC) Directive Compliance

If this product has the CE mark it is approved for installation within the European Union and EEA regions. It has been designed and tested to meet the following directives.

EMC Directive

This product is tested to meet the Council Directive 89/336/EC Electromagnetic Compatibility (EMC) by applying the following standards, in whole or in part, documented in a technical construction file:

- EN 50081-2 EMC - Generic Emission Standard, Part 2 - Industrial Environment
- EN 50082-2 EMC - Generic Immunity Standard, Part 2 - Industrial Environment

This product is intended for use in an industrial environment.

Ex Directive

This product is tested to meet the Council Directive 94/9/EC (ATEX 100a) Equipment and Protective systems Intended for Use in Potentially Explosive Atmospheres by applying the following standards:

- EN50014:1992, Electrical Apparatus for Potentially Explosive Atmospheres
- EN50020:1994, Electrical Apparatus for Potentially Explosive Atmospheres - Intrinsic Safety "i"
- prEN50284:1997, Special requirements for construction, test and marking of electrical apparatus of equipment group II, category 1G

Inputs

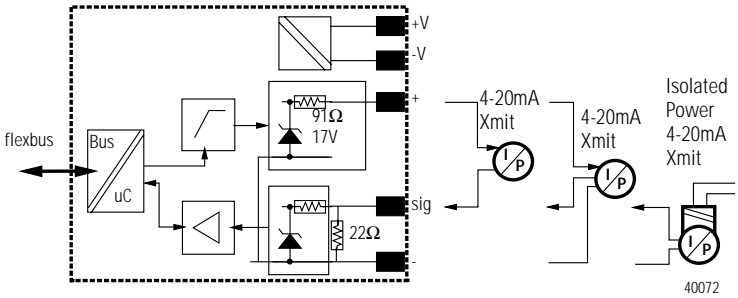
Each input can be operated from an analog field device signal. **Do not apply any non-intrinsically safe signals to this module.**

When using an intrinsically safe electrical apparatus according to EN50020, the European Community directives and regulations must be followed.

The channels in this module are electrically connected to each other and have a common plus-line.

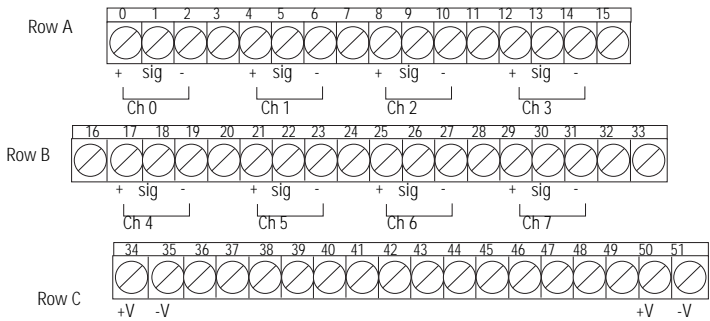
IMPORTANT

When interconnecting several lines, you must consider the total accumulated power and check for intrinsic safety.



Wiring to a 1797-TB3 or -TB3S Terminal Base Unit

Connect wiring for two-wire transmitter devices to the terminal base as shown below.



No connections allowed to terminals 36 and 49

40071

For Two-Wire Transmitter Devices

1. Connect the individual input wiring to (+) terminals (0, 4, 8, 12) on the 0-15 row (A) and on the 16-33 row (B) (terminals 17, 21, 25, 29) as indicated in the table below.
2. Connect the associated input to the corresponding (sig) terminal (1, 5, 9, 13) on the 0-15 row (A), and on the 16-33 row (B) (terminals 18, 22, 26, 30) for each input as indicated in the following table.
3. Refer to the illustration on Page -4 for other configurations.
4. Connect +V dc power to terminal 34 on the 34-51 row (C).
5. Connect -V to terminal 35 on the 34-51 row (C).

ATTENTION

Make certain that you power this module with an intrinsically safe power supply. Do not exceed the values listed in the specifications for this module.

-
6. If continuing power to the next terminal base unit, connect a jumper from terminal 50 (+V) on this base unit to terminal 34 on the next base unit.
 7. If continuing common to the next terminal base unit, connect a jumper from terminal 51 (-V) on this base unit to terminal 35 on the next base unit.

Wiring

Input	Input Source	Input Signal	Input Return	Input	Input Source	Input Signal	Input Return
Input 0	A-0	A-1	A-2	Input 4	B-17	B-18	B-19
Input 1	A-4	A-5	A-6	Input 5	B-21	B-20	B-23
Input 2	A-8	A-9	A-10	Input 6	B-25	B-26	B-27
Input 3	A-12	A-13	A-14	Input 7	B-29	B-30	B-31
+V	Terminals 34 and 50						
-V	Terminals 35 and 51						

Terminals 16, 33, 40, 41, 42, 43, 44 and 45 are connected to chassis ground.

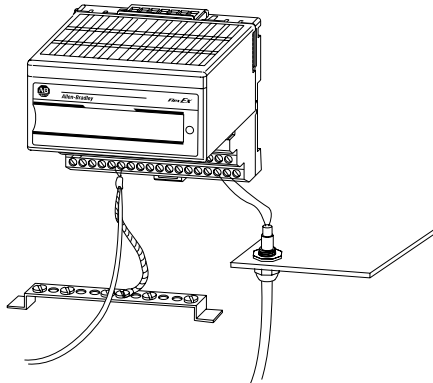
ATTENTION



Do not use the unused terminals on this terminal base unit. Using these terminals as supporting terminals can result in damage to the module and/or unintended operation of your system.

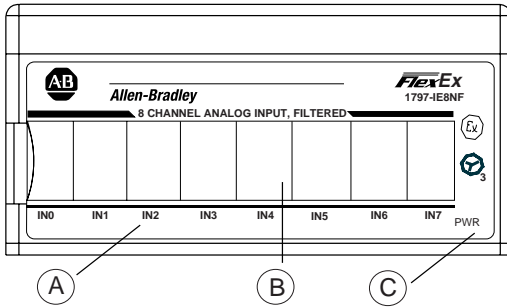
Grounding

All I/O wiring must use shielded wire. Shields must be terminated external to the module, such as bus bars and shield-terminating feed throughs.



30820-M

Indicators



42054A

A = Status Indicators - flashing red - channel fault - Channel 0 indicator will turn red while power-up check is running

B = Insertable labels for writing individual input designations

C = Power Indicator - green indicates power applied to module

Input Map (Read Words)

Bit⇒	15	14	13	12	11	10	09	08	07	06	05	04	03	02	01	00
Word ↓	Read															
0	Channel 0 Input Data															
1	Channel 1 Input Data															
2	Channel 2 Input Data															
3	Channel 3 Input Data															
4	Channel 4 Input Data															
5	Channel 5 Input Data															
6	Channel 6 Input Data															
7	Channel 7 Input Data															
8	Ovr Alm ch 7	Ovr Alm ch 6	Ovr Alm ch 5	Ovr Alm ch 4	Ovr Alm ch 3	Ovr Alm ch 2	Ovr Alm ch 1	Ovr Alm ch 0	Und Alm ch 7	Und Alm ch 6	Und Alm ch 5	Und Alm ch 4	Und Alm ch 3	Und Alm ch 2	Und Alm ch 1	Und Alm ch 0
9	Rm Flt ch 7	Rm Flt ch 6	Rm Flt ch 5	Rm Flt ch 4	Rm Flt ch 3	Rm Flt ch 2	Rm Flt ch 1	Rm Flt ch 0	Lo Flt ch 7	Lo Flt ch 6	Lo Flt ch 5	Lo Flt ch 4	Lo Flt ch 3	Lo Flt ch 2	Lo Flt ch 1	Lo Flt ch 0
10													Diagnostic Status			
11	Res Flg	Module command response						Module response data								
Where: ch = channel Ovr Alm = Over Alarm Und Alm = Under Alarm Rm Flt = Remote Fault Lo Flt = Local Fault Res Flg = Response Flag																

Output Map (Write Words)

Bit⇒	15	14	13	12	11	10	09	08	07	06	05	04	03	02	01	00
Word ↓	Write															
0			High and Low Error Level				u/d 0-3	Filter Cutoff 0-3				Data Format		Flt Md		
1			High and Low Error Level				u/d 0-3	Filter Cutoff 0-3				Data Format		Flt Md		
2	cd flg	Module command						Module command data								
Where: u/d = up/down Flt Md = Fault Module Cd Flg = Command Flag																

Fault Mode - Write Words 0 and 1

Word 0	Bit 00	Fault enable for channels 0-3
Word 1	Bit 00	Fault enable for channels 4-7

Where: 0 = disabled
 1 = enable with wire-off overload

"Add-On" Filter Selections - Write Words 0 and 1

Word	Bits			Description
0	07	06	05	Channels 0-3
1	07	06	05	Channels 4-7
	0	0	0	Reserved
	0	0	1	Reserved
	0	1	0	Reserved
	0	1	1	10Hz (100ms)
	1	0	0	4Hz (250ms)
	1	0	1	2Hz (500ms)
	1	1	0	1Hz (1s)
	1	1	1	0.5Hz (2s)

Remote Transmitter Error Up/Down - Write Words 0 and 1

Word 0	Bit 08	Up/down channels 0-3
Word 1	Bit 08	Up/down channels 4-7

Where: 0 = up
 1 = down

Data Format - Write Words 0 and 1

	Bits				Description
Word 0	04	03	02	01	Data format for channels 0-3
Word 1	04	03	02	01	Data format for channels 4-7
	0	0	0	0	0-22mA, w/error steps (default)
	0	0	0	1	0-22mA = 0 to 110%, w/error steps
	0	0	1	0	0-22mA = 0 to 104.8%, square root, w/error steps
	0	0	1	1	0-22mA = 0 to 65,535, unsigned integer, w/error steps
	0	1	0	0	2-22mA, w/error steps
	0	1	0	1	2-22mA = -12.5% to 112.5%, w/error steps
	0	1	1	0	4-22mA = 0 to 106%, square root, w/error steps
	0	1	1	1	4-20mA = 0 to 65,535, unsigned integer, w/error steps
	1	0	0	0	Not assigned
	1	0	0	1	Not assigned
	1	0	1	0	Not assigned
	1	0	1	1	0-22mA = A/D count, w/fixed error
	1	1	0	0	3.6-21mA = NAMUR NE 43, w/fixed error
	1	1	0	1	3-21mA = -6.25 to 106.28% w/fixed error
	1	1	1	0	2-22mA = -12.5 to 112.5% w/fixed error
	1	1	1	1	Not assigned

Error Level 0.1mA Steps




	Bits					Description
Word 0	13	12	11	10	9	Error level channels 0-3
Word 1	13	12	11	10	9	Error level channels 4-7
	0	0	0	0	0	Disabled
						0.1mA * binary valve = remote fault alarm
						Examples
Data Format 2-22mA -12.5 to 112.5%	0	0	1	1	1	Binary value = 7, 0.1mA * 7 = 0.7mA Remote fault alarm at -4.38% or +104.38%
	0	1	1	1	1	Binary value = 15, 0.1mA * 15 = 1.5mA Remote fault alarm at -9.38% or + 109.38%

Repair

This module is not field-repairable. Any attempt to open this module will void the warranty and IS certification. If repair is necessary, return this module to the factory.

Specifications - 1797-IE8NF	
Number of Inputs	8 single-ended, non-isolated
IS Input Type	EEx ia IIB/IIC T4, AEx ia IIC T4, Class I, II, III Division 1 & 2 Groups A-G T4
IS Module Type	EEx ib IIB/IIC T4, AEx ib IIC T4, Class I Division 1 & 2 Groups A-D T4
Resolution	16 bits
Transfer Characteristics	
Accuracy at 20°C (68°F)	0.1% of output signal range
Temperature Drift	0.005%/C of output signal range
Functional Data Range	>15V @22mA >21.5V @ 0mA
Data Format	Configurable
Step Response to 99% of FS	4ms
Module from Adapter Best/ Worst Update Time	50/1450µs
Indicators	8 red fault indicators 1 green power
Output (Intrinsically Safe) (16 pin male and female flexbus connector)	$U_i \leq 5.8V$ dc $I_i \leq 400mA$ $L_i =$ Negligible $C_i \leq 1.35\mu F$
Isolation Path	Isolation Type
Input to Power Supply	Galvanic to DIN EN50020
Input to Flexbus	Galvanic to DIN EN50020
Input to Input	None
Power Supply to Flexbus	Galvanic to DIN EN50020
Power Supply (+V, -V intrinsically safe)	$U_i \leq 9.5V$ dc $I_i \leq 1A$ $L_i =$ Negligible $C_i =$ Negligible
Module Field-side Power Consumption	7.5W
Power Dissipation	5.2W
Thermal Dissipation	17.75 BTU/hr
Module Location	Cat. No. 1797-TB3 or -TB3S
Conductor Wire Size	12 gauge (4mm ²) stranded maximum 3/64in (1.2mm) insulation maximum

Specification 1797-IE8NF (Continued)

Dimensions	46mm x 94mm x 75mm (1.8in x 3.7in x 2.95in)
Weight	200g (approximately)
Keyswitch Position	3
Environmental Conditions	
Operational Temperature	-20 to +70°C (-4 to +158°F)
Storage Temperature	-40 to +85°C (-40 to +185°F)
Relative Humidity	5 to 95% noncondensing
Shock Operating	Tested to 15g peak acceleration, 11(+1)ms pulse width
Nonoperating	Tested to 15g peak acceleration, 11(+1)ms pulse width
Vibration	Tested 2g @ 10-500Hz per IEC68-2-6
Agency Certification	
CENELEC	II (1) 2G EEx ia/ib IIB/IIC T4
UL, C-UL	Class I Division 1 & 2 Groups A-D T4 Class I Zone 1 & 2 AEx ib/[ia] IIC T4
FM	Class I Division 1 Groups A-D T4 Class I Zone 1 AEx ib/[ia] IIC T4
Certificates	
CENELEC	DMT 98 ATEX E 020 X 
UL, C-UL	UL Certificate Number 99.19699  Class I Division 1 Hazardous
FM	FM Certificate Number 3009806 

CE, CENELEC I/O Entity Parameters

Measurement input (sig to -) for ch 0 to ch 7 (terminals: 1-2; 5-6; 9-10; 13-14; 18-19; 22-23; 26-27; 30-31)

	Protection	Group	Allowed Capacitance	Allowed Inductance
$U_0 = 5V$ $I_0 = 1mA$ $P_0 = 1.3mW$ $U_i = 28V$ $I_i = 93mA$ C_i and L_i negligible	EEx ia	IIB	1000 μ F	1H
		IIC	100 μ F	1H

Source output (+ to sig) for ch 0 to ch 7
 (terminals: 0-1; 4-5; 8-9; 12-13; 17-18; 21-22; 25-26; 29-30)

	Protection	Group	Allowed Capacitance	Allowed Inductance
$U_o = 23.7V$ $I_o = 92.5mA$ $P_o = 548mW$	EEx ia	IIB	560nF	10mH
		IIC	66nF	2.5mH
If concentrated capacitance and/or inductance are available, use the following values.	EEx ia	IIB	320nF	10mH
		IIC	60nF	2mH

Source output plus measurement input (+ to -) for ch 0 to ch 7
 (terminals: 0-2; 4-6; 8-10; 12-14; 17-19; 21-23; 25-27; 29-31)

	Protection	Group	Allowed Capacitance	Allowed Inductance
$U_o = 23.7V$ $I_o = 93.5mA$ $P_o = 555mW$	EEx ia	IIB	560nF	10mH
		IIC	66nF	2.5mH
If concentrated capacitance and/or inductance are available, use the following values.	EEx ia	IIB	320nF	10mH
		IIC	60nF	2mH

UL, C-UL I/O Entity Parameters

If this product has the UL/C-UL mark, it has been designed, evaluated, tested, and certified to meet the following standards:

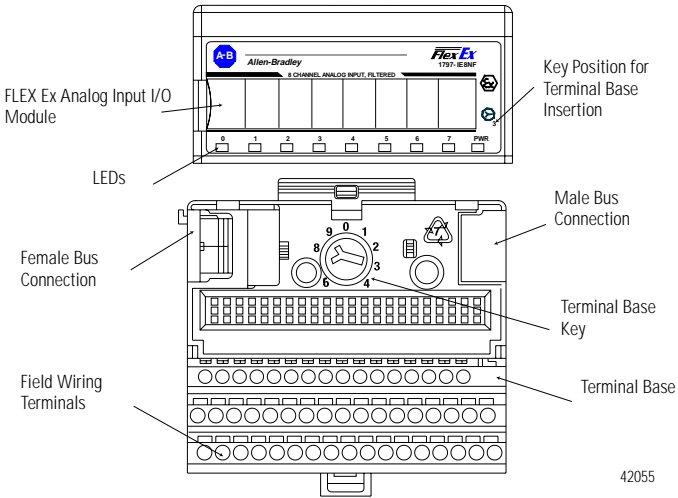
- UL 913, 1988, Intrinsically Safe Apparatus and Associated Apparatus for Use in Class I, II, and III Division 1, Hazardous (Classified) Locations
- UL 1203, Explosion-Proof and Dust-Ignition-Proof Electrical Equipment for Use in Hazardous (Classified) Locations
- UL 2279, Electrical Equipment for Use in Class I, Zone 0, 1, and 2 Hazardous (Classified) Locations
- UL 508, Industrial Control Equipment
- CSA C22.2 No. 157-92, Intrinsically Safe and Non-Incendive Equipment for Use in Hazardous Locations
- CSA C22.2 No. 30-M1986, Explosion-Proof Enclosures for Use in Class I Hazardous Locations
- CSA-E79-0-95, Electrical Apparatus for Explosive Gas Atmospheres, Part 0: General Requirements
- CSA-E79-11-95, Electrical Apparatus for Explosive Gas Atmospheres, Part 11: Intrinsic Safety “i”
- CSA C22.2 No. 14-95, Industrial Control Equipment

Wiring Methods

- Wiring method 1 - Each channel is wired separately.
- Wiring method 2 - Multiple channels in one cable, providing each channel is separated in accordance with the National Electric Code (NEC) or Canadian Electric Code (CEC).

Table 1

Wiring Method	Channel	Terminals	V _{DC} (V)	I _{SC} (mA)	V _t (V)	I _t (mA)	Group s	C _a (μF)	L _a (mH)
1 and 2	Any one channel e.g. ch0	0(+), 1(sig)	23.7	92.5	-	-	A, B	0.06	2.0
							C, E	0.18	8.0
							D, F, G	0.48	16.0
		1(sig), 2(-)	5	1.0	-	-	A, B	100	1000
							C, E	300	1000
							D, F, G	800	1000
		0(+), 1(sig), 2(-)	-	-	23.7	93.5	A, B	0.08	2.0
							C, E	0.24	8.0
							D, F, G	0.64	16.0

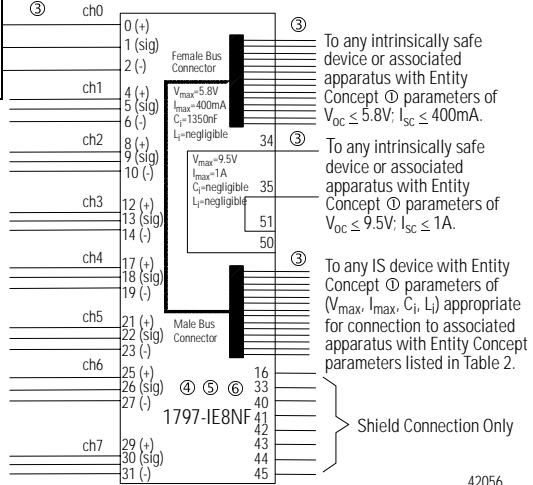


IMPORTANT A terminal base may or may not have an I/O module installed.

Hazardous (Classified) Location
 Class I, Zones 0, 1, & 2 Groups IIC, IIB, IIA
 Class I, Div. 1 & 2 Groups A, B, C, D
 Class II, Div. 1 & 2 Groups E, F, G
 Class III, Div. 1 & 2

Hazardous (Classified) Location
 Class I, Zones 1 & 2 Groups IIC, IIB, IIA
 Class I, Div. 1 & 2 Groups A, B, C, D

Any Simple Apparatus ② or I.S. device with Entity Concept parameters ① (V_{max} , I_{max} , C_i , L_i) appropriate for connection to associated apparatus with Entity Concept parameters listed in Table 1.



42056

Table 2

Terminals	V_i (V)	I_i (mA)	Groups	C_a (μ F)	L_a (μ H)
Male Bus Connector	5.8	400	A-G	3.0	3.0

① The entity concept allows interconnection of intrinsically safe apparatus with associated apparatus not specifically examined in combination as a system when the approved values of V_{oc} and I_{sc} or V_i and I_i of the associated apparatus are less than or equal to V_{max} and I_{max} of the intrinsically safe apparatus and the approved values of C_a and L_a of the associated apparatus are greater than $C_i + C_{cable}$ and $L_i + L_{cable}$ respectively for the intrinsically safe apparatus.

② Simple apparatus is defined as a device which neither generates nor stores more than 1.2V, 0.1A, 20 μ J, or 25mW.

- ③ Wiring methods must be in accordance with the National Electric Code, ANSI/NFPA 70, Article 504 and 505 or the Canadian Electric Code CSA C22.1, Part 1, Appendix F. For additional information refer to ANSI/ISA RP12.6.
- ④ This module, 1797-IE8, must be used with terminal base 1797-TB3 or 1797-TB3S.
- ⑤ Terminals 3, 7, 11, 15, 20, 24, 28, 32, 36-39, and 46-49 shall not be connected.
- ⑥ **WARNING:** Substitution of components may impair intrinsic safety. **AVERTISSEMENT:** La substitution de composant peut compromettre la securite intrinseque.

FM I/O Entity Parameters

If this product has the FM mark, it has been designed, evaluated, tested, and certified to meet the following standards:

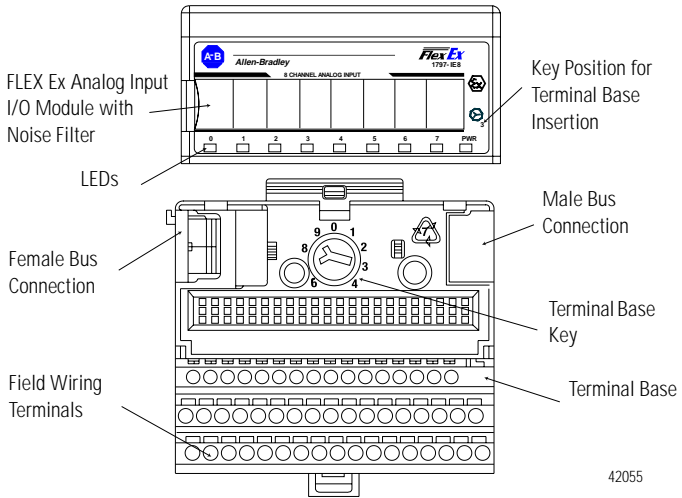
- FM C1. No.3600:1998, Electrical Equipment for Use in Hazardous (Classified) Locations General Requirements
- FM C1. No.3610:1999, Intrinsically Safe Apparatus and Associated Apparatus for Use in Class I, II, III Division 1 Hazardous (Classified) Locations
- FM C1. No.3615:1989, Explosionproof Electrical Equipment General Requirements
- FM C1. No.3810:1989, 1995, Electrical and Electronic Test, Measuring and Process Control Equipment
- ANSI/NEMA 250, 1991, Enclosures for Electrical Equipment

Wiring Methods

- Wiring method 1 - Each channel is wired separately.
- Wiring method 2 - Multiple channels in one cable, providing each channel is separated in accordance with the National Electric Code (NEC).

Table 1

Wiring Method	Channel	Terminals	V_{OC} (V)	I_{SC} (mA)	V_i (V)	I_i (mA)	Groups	C_a (μ F)	L_a (mH)
1 and 2	Any one channel e.g. ch0	0(+), 1(sig)	23.7	92.5	-	-	A, B	0.15	4.0
							C, E	0.45	12.0
							D, F, G	1.20	32.0
		1(sig), 2(-)	5	1.0	-	-	A, B	100	1000
							C, E	300	1000
							D, F, G	800	1000
		0(+), 1(sig), 2(-)	-	-	23.7	93.5	A, B	0.15	4.0
							C, E	0.45	12.0
							D, F, G	1.20	32.0



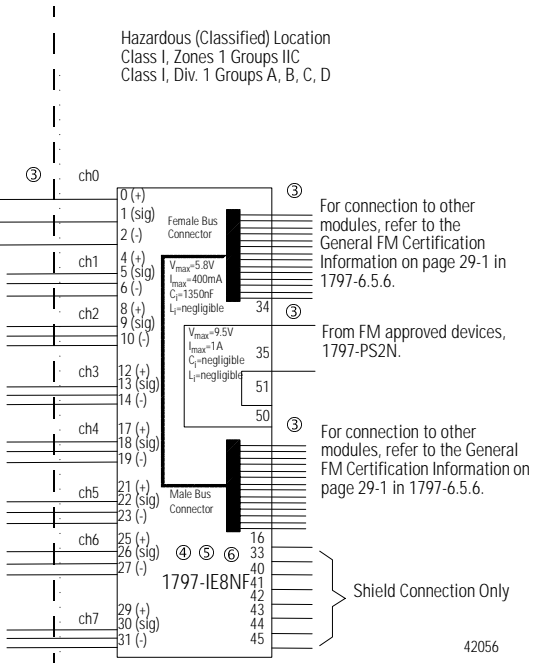
IMPORTANT

A terminal base may or may not have an I/O module installed.

Hazardous (Classified) Location
 Class I, Zones 0 Groups IIC
 Class I, Div. 1 Groups A, B, C, D
 Class II, Div. 1 Groups E, F, G
 Class III, Div. 1

Hazardous (Classified) Location
 Class I, Zones 1 Groups IIC
 Class I, Div. 1 Groups A, B, C, D

Any Simple Apparatus ② or FM approved device with Entity Concept parameters ① (V_{max} , I_{max} , C_p , L_p) appropriate for connection to associated apparatus with Entity Concept parameters listed in Table 1.



42056

Table 2

Terminals	V_t (V)	I_t (mA)	Groups	C_a (μF)	L_a (μH)
Male Bus Connector	5.8	400	A-G	3.0	3.0

-
- ① The entity concept allows interconnection of intrinsically safe apparatus with associated apparatus not specifically examined in combination as a system when the approved values of V_{oc} and I_{sc} or V_t and I_t of the associated apparatus are less than or equal to V_{max} and I_{max} of the intrinsically safe apparatus and the approved values of C_a and L_a of the associated apparatus are greater than $C_i + C_{cable}$ and $L_i + L_{cable}$ respectively for the intrinsically safe apparatus.
 - ② Simple apparatus is defined as a device which neither generates nor stores more than 1.2V, 0.1A, 20 μ J, or 25mW.
 - ③ Wiring methods must be in accordance with the National Electric Code, ANSI/NFPA 70, Article 504 and 505. For additional information refer to ANSI/ISA RP12.6.
 - ④ This module, 1797-IE8NF, must be used with terminal base 1797-TB3 or 1797-TB3S.
 - ⑤ Terminals 3, 7, 11, 15, 20, 24, 28, 32, 36-39, and 46-49 shall not be connected.
 - ⑥ **WARNING:** Substitution of components may impair intrinsic safety.
-

IMPORTANT

For detailed certification information, refer to the FLEX Ex System Certification Reference Manual, publication 1797-6.5.6.

Attention: Avoid electrostatic charge.

Notes:

Notes:

Notes:

Reach us now at www.rockwellautomation.com

Wherever you need us, Rockwell Automation brings together leading brands in industrial automation including Allen-Bradley controls, Reliance Electric power transmission products, Dodge mechanical power transmission components, and Rockwell Software. Rockwell Automation's unique, flexible approach to helping customers achieve a competitive advantage is supported by thousands of authorized partners, distributors and system integrators around the world.

Americas Headquarters, 1201 South Second Street, Milwaukee, WI 53204, USA, Tel: (1) 414 382-2000, Fax: (1) 414 382-4444
European Headquarters SA/IV, avenue Hermann Dieroux, 46, 1180 Brussels, Belgium, Tel: (32) 2 663 06 00, Fax: (32) 2 663 06 40
Asia Pacific Headquarters, 27/F Citicorp Centre, 16 Whitfield Road, Causeway Bay, Hong Kong, Tel: (852) 2987 4788, Fax: (852) 2508 1846

