



Interconnect Cable

(Cat. No. 1797-CE1S and -CE3S)

Installation Instructions

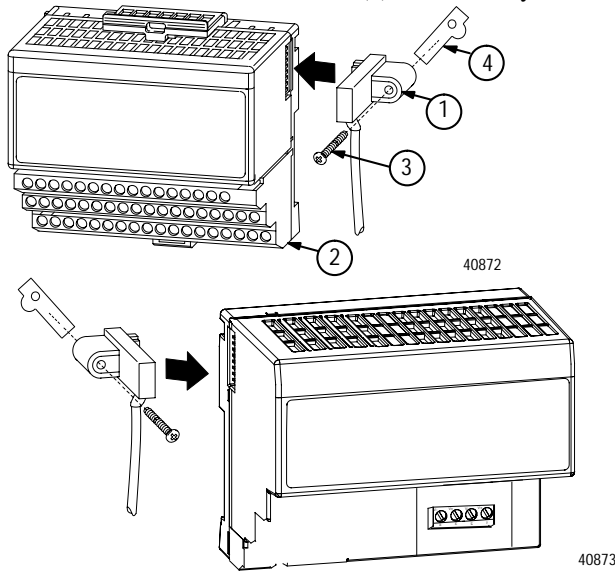
Installing the Cable for DIN Rail Mounting



ATTENTION: When using both a 1797-CE1S or 1797-CE3S and a 1794-CE1 or 1794-CE3, only one 0.9m (3ft) cable of either type may be used.

To install the cable on an existing DIN rail mounted system, proceed as follows:

1. Remove the plug from the male flexbus connector.
2. Insert cable connector (1) into mating connector on right side of the terminal base unit (2). Press firmly to seat.



3. Use a drill bit or awl small enough to go through the hole in the cable to mark the position of the hole on the mounting surface.

Important: Be careful of metal chips when drilling cable mounting holes. Do not drill holes above a system that has any modules installed.

4. Remove the cable by pulling straight out of the terminal base unit.
5. Using the mark made in step 3, drill and tap a hole for the 6-32 screw (3) supplied in your kit.
6. Reinstall the cable in the side of the terminal base unit.
7. Position the washer (4) between the cable and the panel/wall and secure with the 6-32 screw.
8. Repeat the above procedures for the other end of the cable.
9. Use the 1797-EXMK kit to mark cables as IS if so used.

Installing the Cable for Panel Mounting

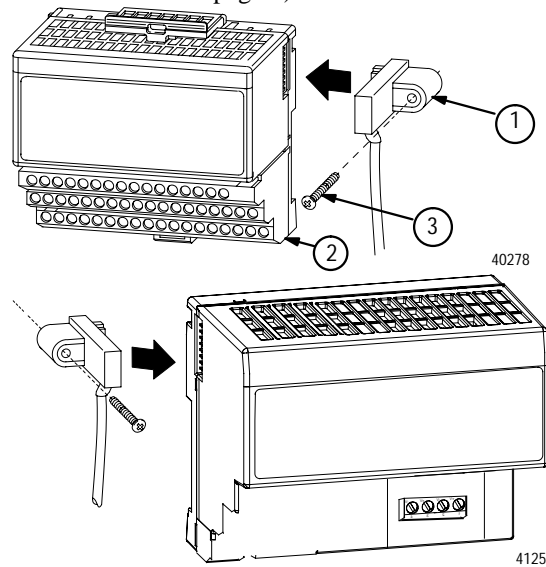


ATTENTION: When using both a 1797-CE1S or 1797-CE3S and a 1794-CE1 or 1794-CE3, only one 0.9m (3ft) cable of either type may be used.

To install the cable when the system is wall/panel mounted, proceed as follows:

1. Remove the plug from the male flexbus connector.
2. Insert cable connector (1) into mating connector on right side of the terminal base unit (2). Press firmly to seat.

Important: If you are initially laying out your system, refer to the mounting/drilling dimensions that are included with the mounting kit (also see page 3).



3. Use a drill bit or awl small enough to go through the hole in the cable to mark the position of the hole on the mounting surface.

Important: Be careful of metal chips when drilling cable mounting holes. Do not drill holes above a system that has any modules installed.

4. Remove the cable by pulling straight out of the terminal base unit.
5. Using the mark made in step 3, drill and tap a hole for the 6-32 screw (3) supplied in your kit.
6. Reinstall the cable in the side of the terminal base unit.
7. Secure with the 6-32 screw.
8. Repeat the above procedure for the other end of the cable.
9. Use the 1797-EXMK kit to mark cables as IS if so used.

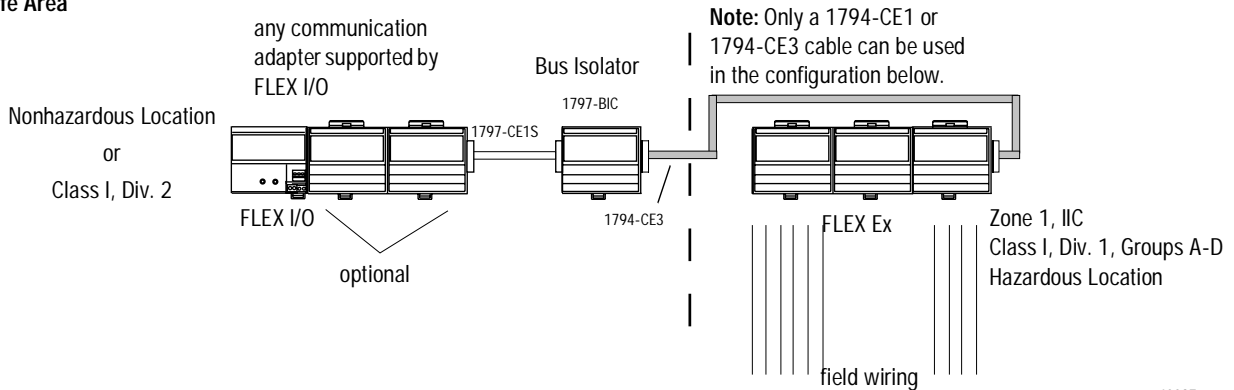
Intermixed Systems

You can use the 1797-CE1S and/or -CE3S cable to connect intermixed FLEX I/O™ systems and FLEX Ex™ systems in the safe or hazardous area.

Intermixed systems can be configured for use in the:

- safe area much like traditional IS and I/O systems
- hazardous area to control equipment which is not suitable for direct mounting in hazardous area. This equipment may, for instance, be installed in an explosion/flameproof enclosure with a standard FLEX I/O system

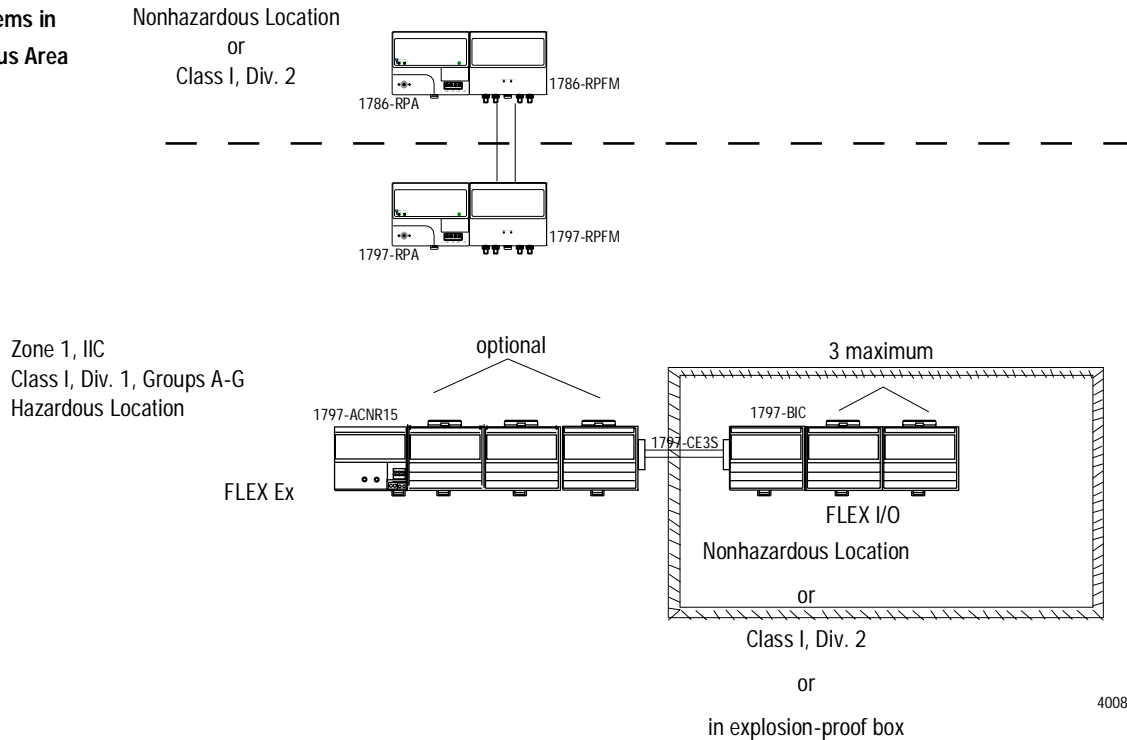
Mixing Systems in the Safe Area



If you use a 1794-CE3 cable, you can only use one 1797-CE1S cable.
 If you use a 1794-CE1 cable, you can use one 1797-CE1S or one 1797-CE3S cable.

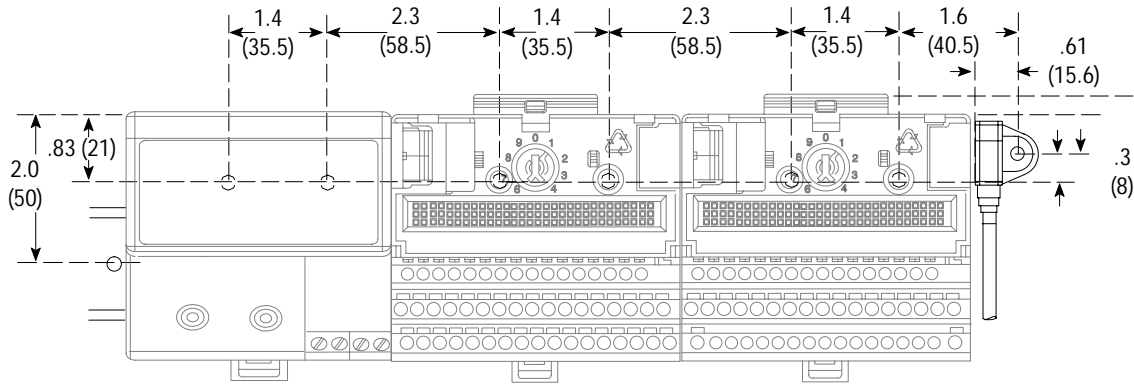
40087

Mixing Systems in the Hazardous Area



40088

Panel Mounting Dimensions

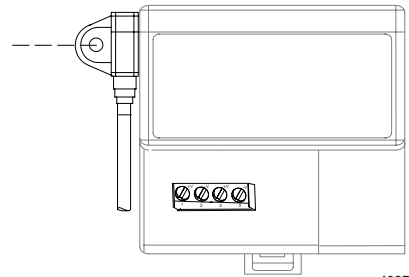


Inches
(Millimeters)



ATTENTION: Be careful of metal chips when drilling cable mounting holes. Do not drill holes above a system that has any modules installed.

Cable length approximately 11.5 (292.1) or 35.5 (901.0) from upper connector [length depends upon cable -1ft (0.3m) or 3ft (0.091m)]



40871

Allen-Bradley is a trademark of Rockwell Automation, a core business of Rockwell International Corporation.
The following are trademarks of Rockwell Automation: FLEX I/O and FLEX Ex.



Allen-Bradley, a Rockwell Automation Business, has been helping its customers improve productivity and quality for more than 90 years. We design, manufacture and support a broad range of automation products worldwide. They include logic processors, power and motion control devices, operator interfaces, sensors and a variety of software. Rockwell is one of the world's leading technology companies.

Worldwide representation.



Argentina • Australia • Austria • Bahrain • Belgium • Brazil • Bulgaria • Canada • Chile • China, PRC • Colombia • Costa Rica • Croatia • Cyprus • Czech Republic • Denmark • Ecuador • Egypt • El Salvador • Finland • France • Germany • Greece • Guatemala • Honduras • Hong Kong • Hungary • Iceland • India • Indonesia • Ireland • Israel • Italy • Jamaica • Japan • Jordan • Korea • Kuwait • Lebanon • Malaysia • Mexico • Netherlands • New Zealand • Norway • Pakistan • Peru • Philippines • Poland • Portugal • Puerto Rico • Qatar • Romania • Russia-CIS • Saudi Arabia • Singapore • Slovakia • Slovenia • South Africa, Republic • Spain • Sweden • Switzerland • Taiwan • Thailand • Turkey • United Arab Emirates • United Kingdom • United States • Uruguay • Venezuela • Yugoslavia

Allen-Bradley Headquarters, 1201 South Second Street, Milwaukee, WI 53204 USA, Tel: (1) 414 382-2000 Fax: (1) 414 382-4444