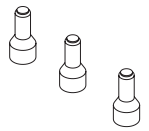




Overload Relay Replacement

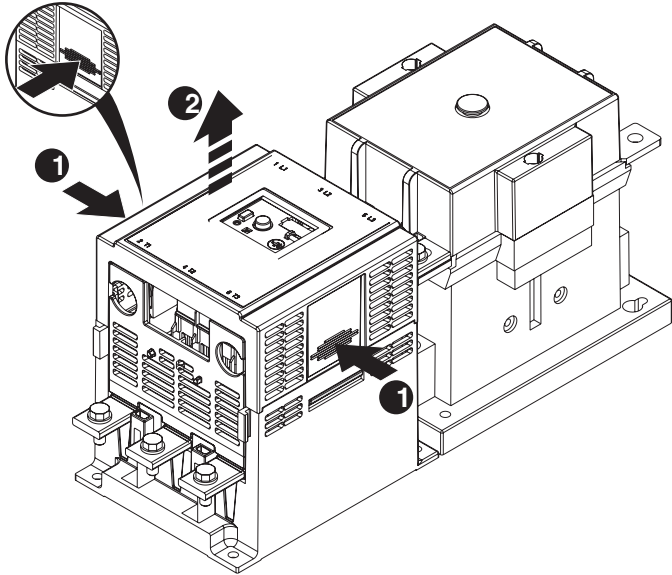
(W40751-468-27; W40751-468-28; W40751-468-29
W40751-468-30; W40751-468-31; W40751-468-32)



ATTENTION: To prevent electrical shock, disconnect from power source before installing or servicing.

Disassembly

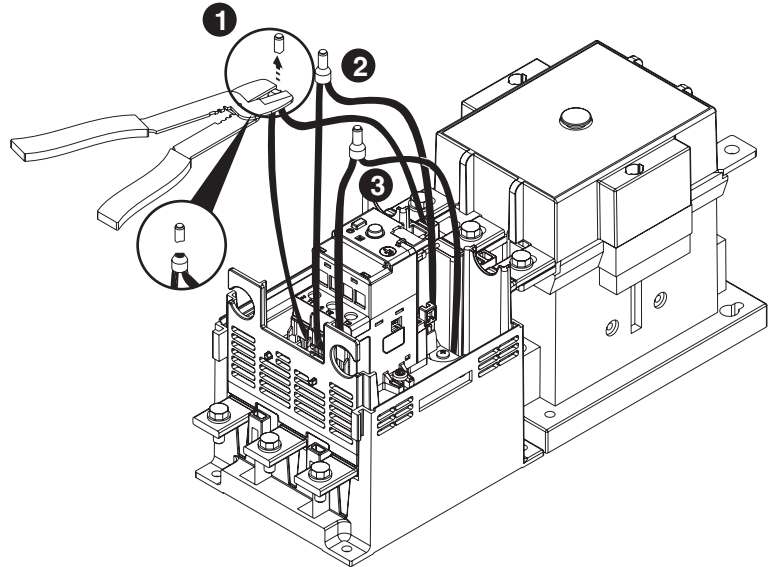
1



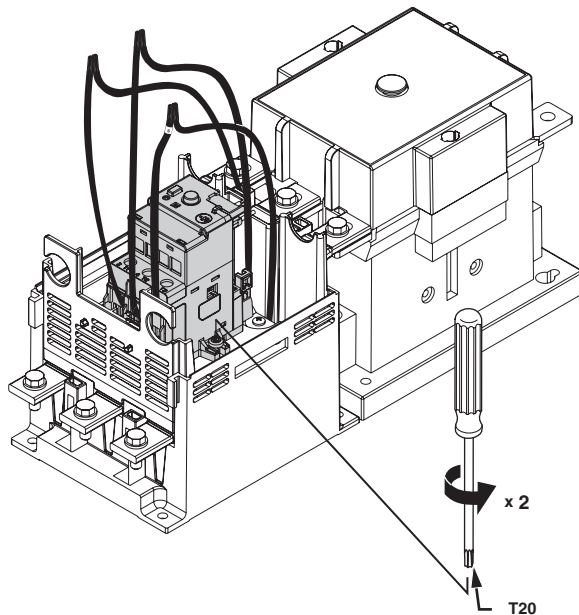
2



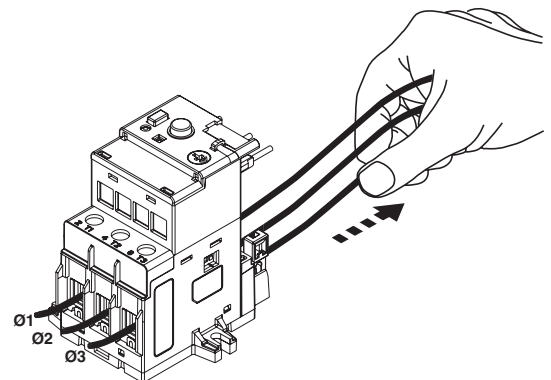
ATTENTION: Label or identify phase wires before cutting.



3



4

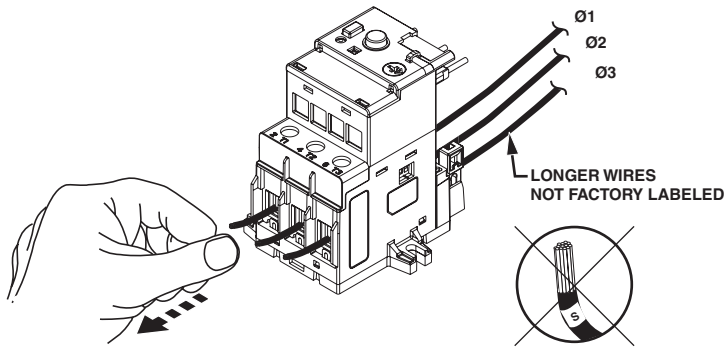


Reassembly

5



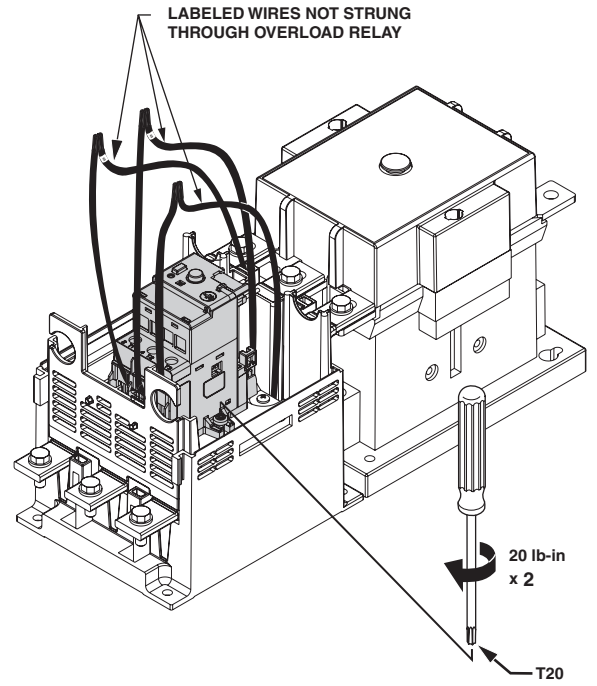
ATTENTION: Be sure to run Phase 1, 2 and 3 through Phase 1, 2 and 3 of overload, respectively. Must use the wires that are not factory labeled.



6



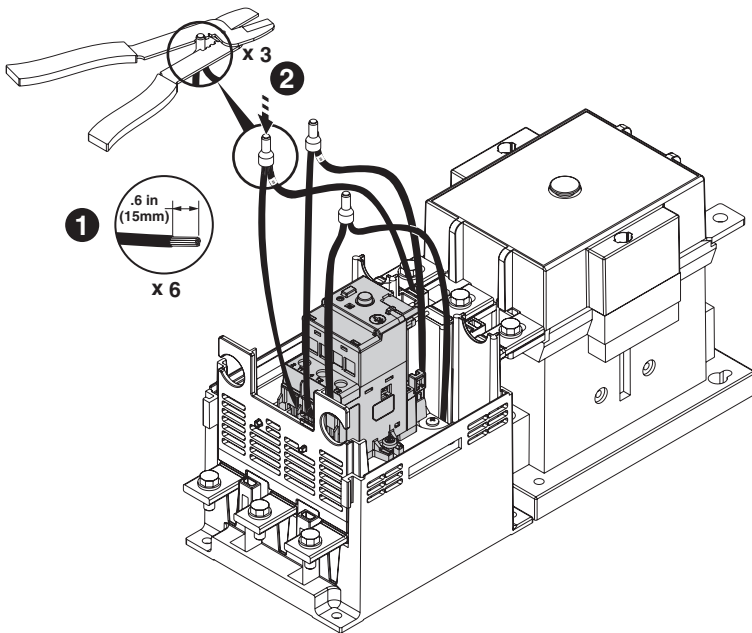
ATTENTION: Do not cross or mix-up phase wires while reconnecting.



7



ATTENTION: Check for wire secureness after crimping.



8

