

Installation instruction

Attention: To prevent electrical shock, disconnect from power source before installing or servicing.

Montageanleitung

Achtung: Vor Installations- oder Servicearbeiten Stromversorgung unterbrechen, um Unfälle zu vermeiden.

Instruction de montage

Attention: Avant le montage et la mise en service, couper l'alimentation secteur afin d'éviter tout accident.

Istruzione per il montaggio

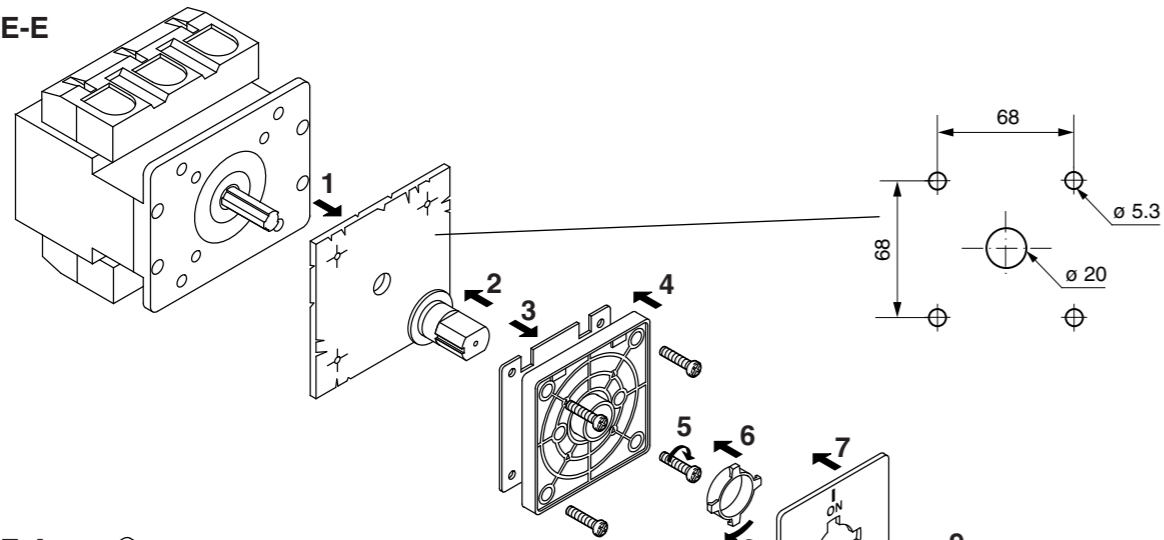
Attenzione: Per prevenire infortuni, togliere tensione prima dell'installazione o manutenzione.

Instrucción de montaje

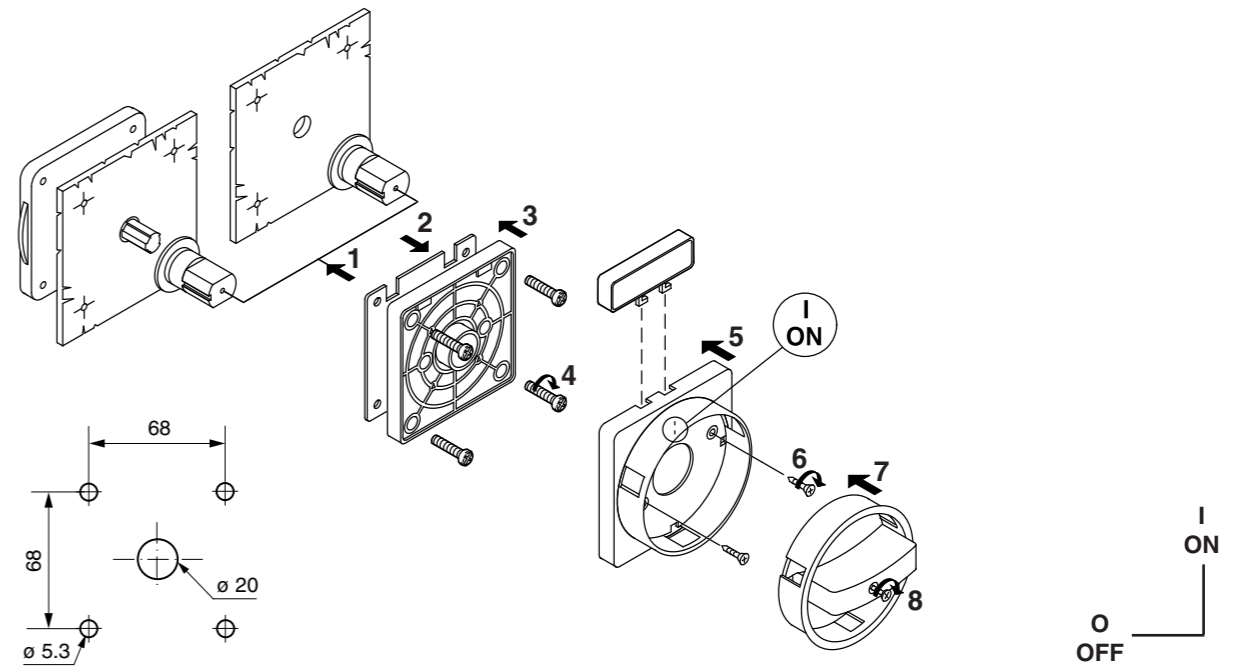
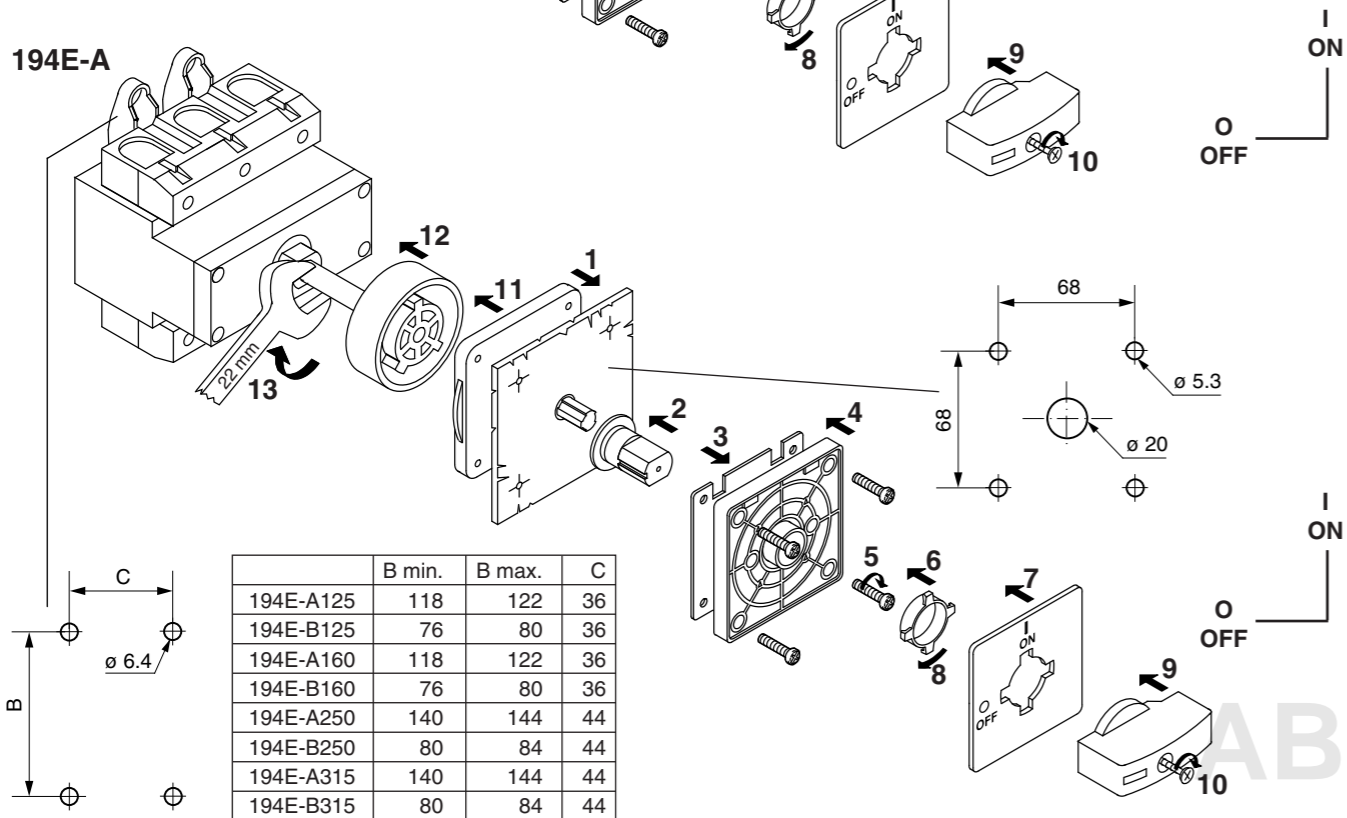
Atención: Desconectar la alimentación eléctrica antes de realizar el montaje y la puesta en servicio, con el objeto de evitar accidentes.



194E-E



194E-A



IEC Performance Data							
Type	AC1-AC21 [A]	AC23 [kW]			AC3 [kW]		
		230 V	400 V	690 V	230 V	400 V	690 V
194E-125	125	30	45	37	22	37	30
194E-160	160	30	55	37	30	45	37
194E-250	250	37	90	45	37	55	45
194E-315	315	55	110	45	45	75	45

UL CSA Performance Data						
Type	General use [A]	Motor rating 60Hz 3 phases [HP]				
		120 V	240 V	480 V	600 V	
194E-125	150	15	30	60	60	
194E-160	200	20	40	60	60	
194E-250	250	30	60	75	75	
194E-315	300	40	75	100	100	

"Suitable for use on a circuit capable of delivering not more than 10'000 rms symmetrical amperes 600 V max. When protected by class rk1 fuse."

"The operating handle and position indicating means to be used with these manual motor controllers should be provided from the manufacturer, or the operating handle and position indicating means to be used should have been previously evaluated in combination with the manual motor controllers."

