



Allen-Bradley

Installation instruction

Attention: To prevent electrical shock, disconnect from power source before installing or servicing.

Montageanleitung

Achtung: Vor Installations- oder Servicearbeiten Stromversorgung unterbrechen, um Unfälle zu vermeiden.

Instruction de montage

Attention: Avant le montage et la mise en service, couper l'alimentation secteur afin d'éviter tout accident.

Istruzione per il montaggio

Attenzione: Per prevenire infortuni, togliere tensione prima dell'installazione o manutenzione.

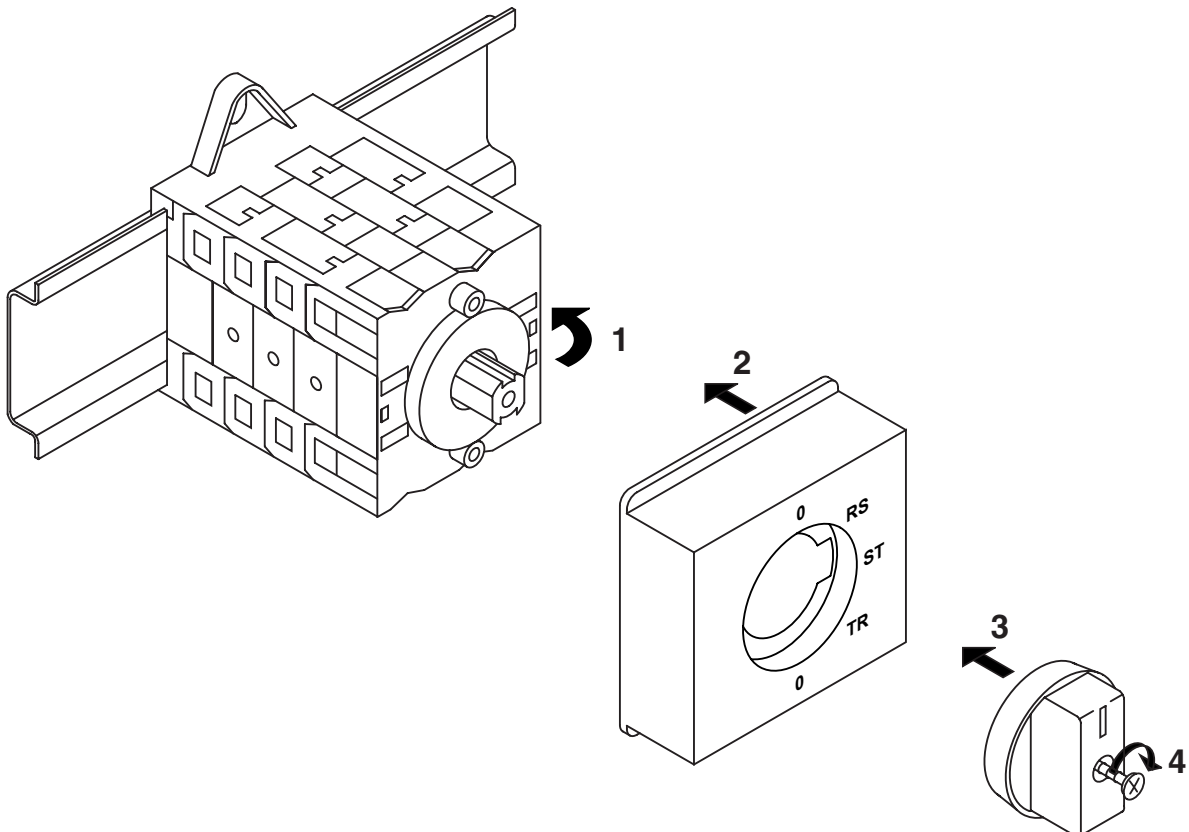
Instruccion de montaje

Atención: Desconectar la alimentación eléctrica antes de realizar el montaje y la puesta en servicio, con el objeto de evitar accidentes.

**Bulletin
194L**



194L-A12(16)-...-Q



Spare Allen-Bradley Parts



| IEC | | | | | | | |
|---------|----------------|--------------|------|-----|-----|-----|----------------------|
| Type | AC-2 AC-22A | IEC, VDE, BS | AC-3 | | | | CEE 24 |
| 194L-12 | 660 V 12 A | U_i 660 V | V~ | 220 | 380 | 500 | 12 (8) A 500 Vac |
| | | | kW | 2.2 | 4 | 5.5 | |
| 194L-16 | 660 V 16 A | U_i 660 V | V~ | 220 | 380 | 500 | 16 (10) A 500 Vac |
| | | | kW | 3 | 5.5 | 7.5 | |

| UL / CSA | | | | | | | | | | |
|----------|-----------------|----------------|-----|-----|-----|-----|-----------|---|-----------------|-----|
| Type | General Use | Motor starting | | | | | Max. fuse | Torque | | |
| 194L-12 | 12 A 600 Vac | V | 120 | 240 | 480 | 600 | * 25 A | These devices are suitable of delivering not more than 5000 rms symmetrical amperes.600 V max.when protected by a * K5 class fuse. Use Cu wire 60/75P C only | 9 lb-in 1 Nm | |
| | | kW | 1 | 2 | 5 | 5 | | | | 3ph |
| 194L-16 | 16 A 600 Vac | V | 120 | 240 | 480 | 600 | * 30 A | | | |
| | | kW | 1.5 | 3 | 7.5 | 7.5 | | | | 3ph |

Anschlussplan - Wiring diagrams - Schema des connexions - Schemi di collegamento - Esquema de conexiones

| | | |
|--|---|--|
| ON-OFF 0-1 OFF-ON | 90° 1751 1752 1753 1754 1755 1756 | |
| Changeover with 0 | 45° 3251 3252 3253 | |
| V-Meter-Switch 0-RS-ST-TR-0 | 45° 8271 | |
| 0-RS-ST-TR | 45° 8271 | |
| V-Meter-Switch 0-1-2-3 (3 Curr. Trans.) | 90° 8751 | |