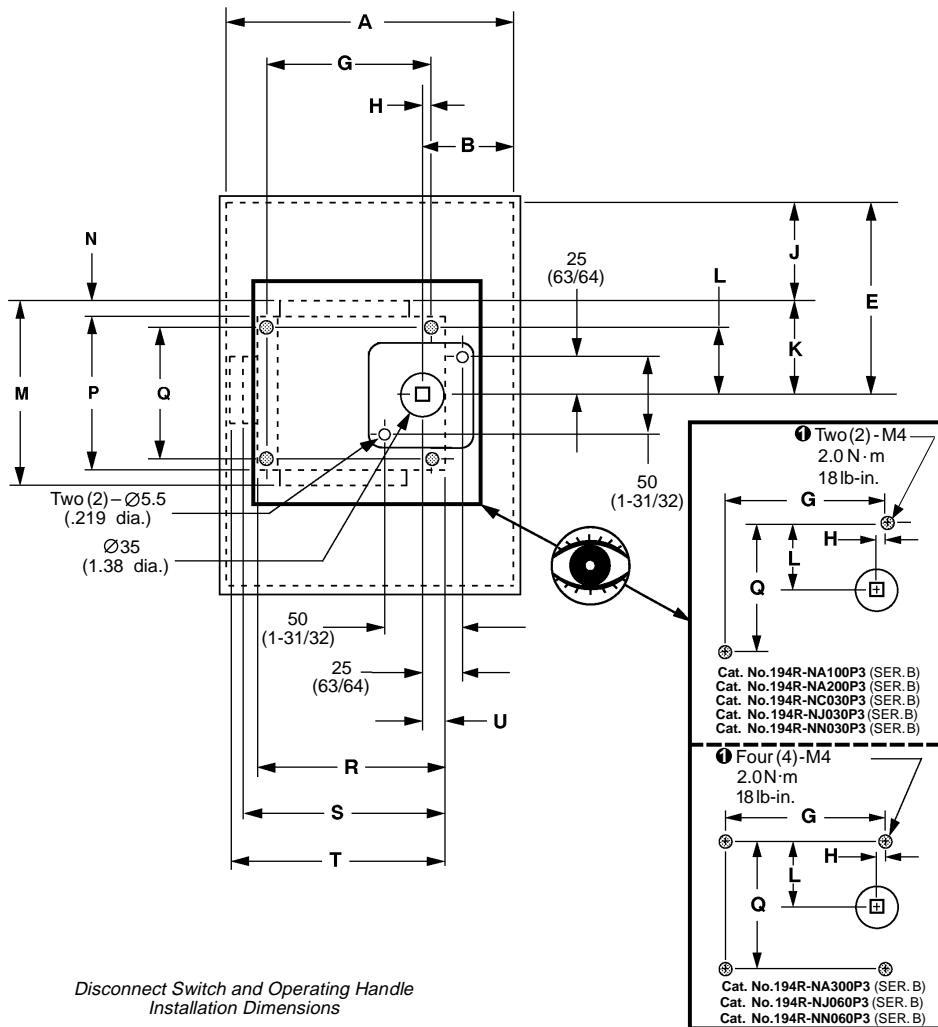


# IEC Fused and Non-Fused Disconnects

Approximate Dimensions, Continued

## Disconnect Switch Dim. Ref.: A1, A2, B1, B2 (30 A and 60 A)

Dimensions in millimeters (inches). Dimensions are not intended to be used for manufacturing purposes.



❶ The switch is capable of accepting #8 screws 34.9 (1-3/8) for mounting.

**Note:** Enclosure Installation Dimensions A through F are listed on page 40.

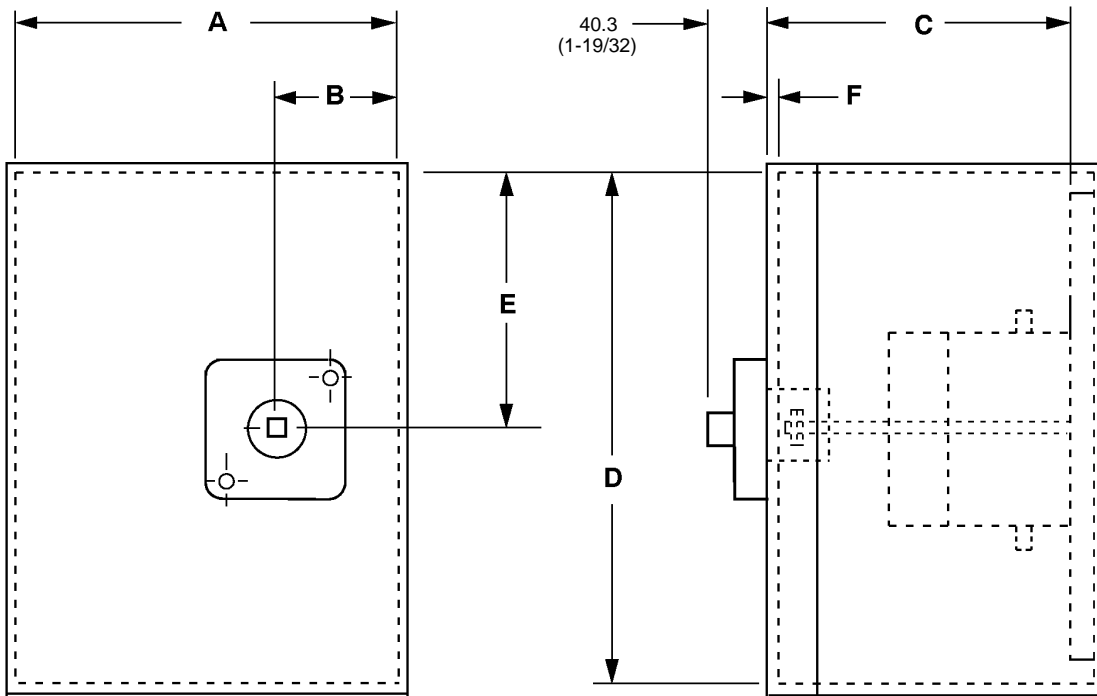
Cat. No. (SER. B)	Dim. Ref.	G	H	J	K	L	M	N	P	Q	R	S	T	U
194R-NA100P3 194R-NA200P3 194R-NC030P3 194R-NJ030P3 194R-NN030P3	A1, A2	85 (3-11/32)	7.5 (19/64)	24.2 (61/64)	64.8 (2-35/64)	41 (1-39/64)	129.6 (5-7/64)	11.8 (15/32)	106 (4-11/64)	82 (3-15/64)	102 (4-1/64)	114.1 (4-1/2)	126.2 (4-31/32)	12 (15/32)
194R-NA300P3 194R-NJ060P3 194R-NN060P3	B1, B2	120 (4-23/32)	10 (25/64)	28.5 (1-1/8)	76.5 (3-1/64)	50 (1-31/32)	153 (6-1/32)	17.5 (11/16)	118 (4-21/32)	100 (3-15/16)	134 (5-9/32)	146.1 (5-3/4)	158.2 (6-15/64)	16 (5/8)

# IEC Fused and Non-Fused Disconnects

## Approximate Dimensions, Continued

### Disconnect Switch Dim. Ref.: A1, A2, B1, B2 (30 A and 60 A) Enclosure and Operating Handle

Dimensions in millimeters (inches). Dimensions are not intended to be used for manufacturing purposes.



### Enclosure Installation Dimensions

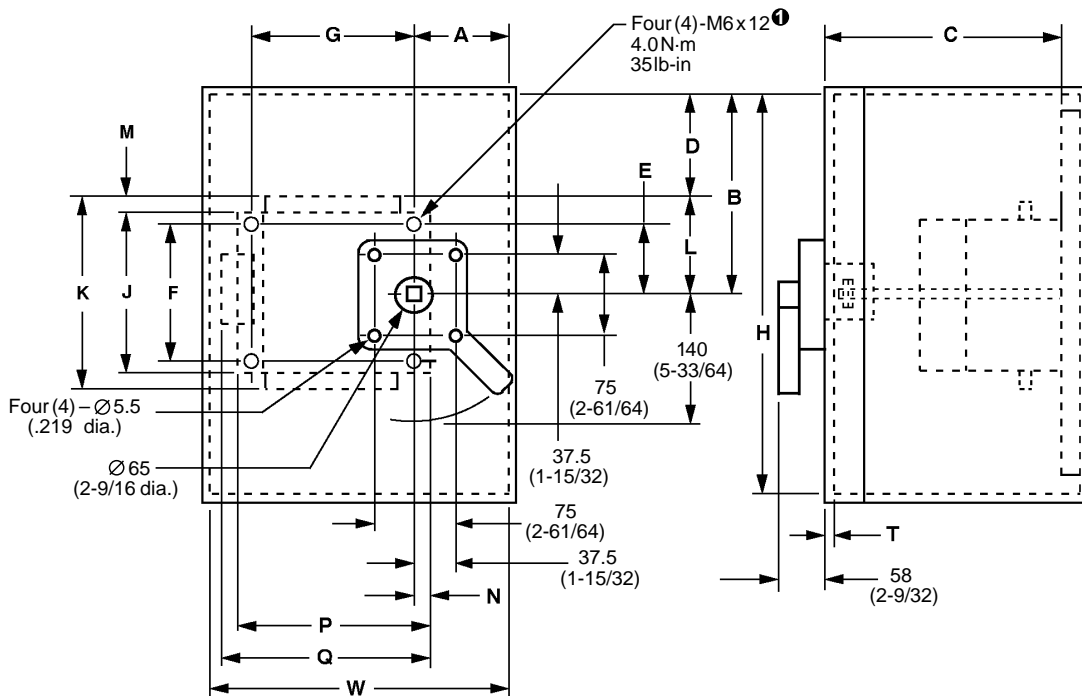
Cat. No.	Dim. Ref.	A	B	C		D	E	F	
		Maximum	Minimum	Minimum	Maximum	Minimum	Minimum	Minimum	Maximum
194R-NA100P3 (SER. B)	A1	171 (6-3/4)	45 (1-49/64)	147.6	454	248 (9-3/4)	89 (3-1/2)	1.4 (1/16)	4.78 (3/16)
194R-NA200P3 (SER. B)				(5-13/16)	(17-7/8)				
194R-NC030P3 (SER. B)									
194R-NJ030P3 (SER. B)									
194R-NN030P3 (SER. B)	A2			111 (4-3/8)	454 (17-7/8)				
194R-NA300P3 (SER. B)	B1	197 (7-3/4)	45 (1-49/64)	147.6	454	248 (9-3/4)	105	1.4 (1/16)	4.78 (3/16)
194R-NJ060P3 (SER. B)				(5-13/16)	(17-7/8)		(4-9/64)		
194R-NN060P3 (SER. B)									
194R-NN060P3 (SER. B)	B2			111 (4-3/8)	454 (17-7/8)		105 (4-9/64)		

## IEC Fused and Non-Fused Disconnects

### Approximate Dimensions, Continued

#### Disconnect Switch Dim. Ref.: C1, C2, D1, D2 (100 A and 200 A)

Dimensions in millimeters (inches). Dimensions are not intended to be used for manufacturing purposes.



① The switch is capable of accepting four (4) Ø6.4 (1/4 dia.) screws for mounting.

#### Enclosure Installation Dimensions

Dimension Reference	A	B	C		H	T		W	
	Minimum	Minimum	Minimum	Maximum	Minimum	Minimum	Maximum	Minimum	
								Single Pole Aux. Cont.	Two Pole Aux. Cont.
<b>C1</b>	108 (4-1/4)	162 (6-3/8)	162 (6-3/8)	457 (18)	330 (13)	1.6 (1/16)	4.8 (3/16)	301 (11-27/32)	313 (12-5/16)
<b>C2</b>	108 (4-1/4)	162 (6-3/8)	168 (6-5/8)	457 (18)	330 (13)	1.6 (1/16)	4.8 (3/16)	301 (11-27/32)	313 (12-5/16)
<b>D1</b>	108 (4-1/4)	280 (11)	178 (7)	457 (18)	560 (22)	1.6 (1/16)	4.8 (3/16)	344 (13-17/32)	356 (14)
<b>D2</b>	108 (4-1/4)	280 (11)	183 (7-7/32)	457 (18)	560 (22)	1.6 (1/16)	4.8 (3/16)	344 (13-17/32)	356 (14)

#### Disconnect Switch and Operating Handle Installation Dimensions

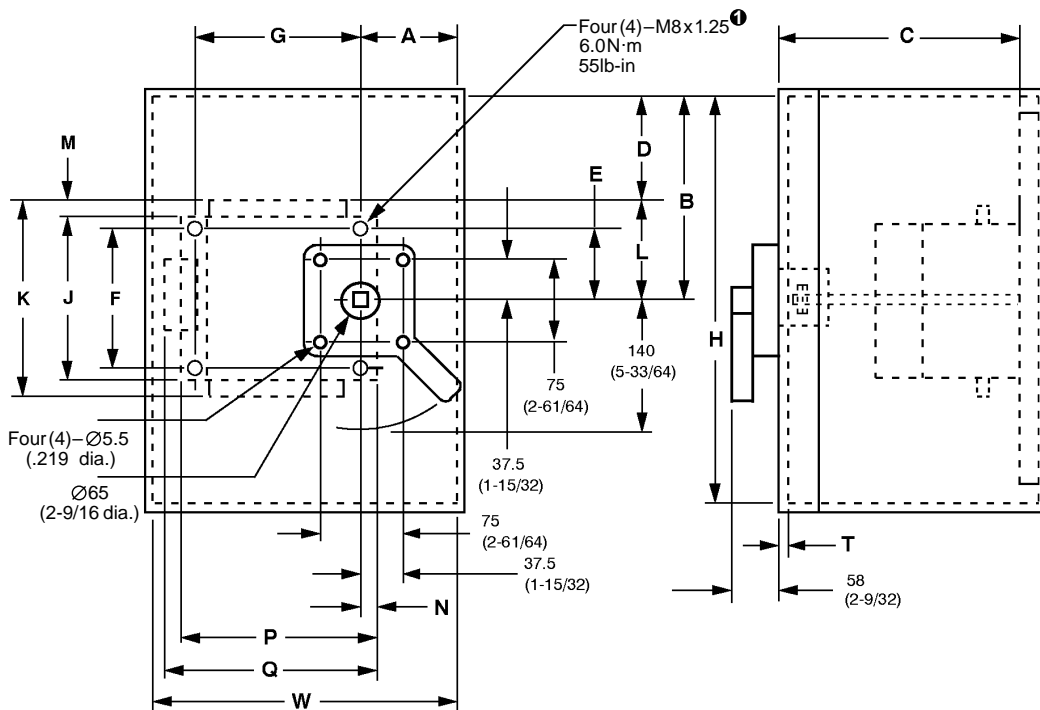
Dimension Reference	D	E	F	G	J	K	L	M	N	P	Q
<b>C1, C2</b>	74 (2-29/32)	53 (2-3/32)	106 (4-3/16)	170 (6-11/16)	148 (5-53/64)	176 (6-15/16)	88 (3-15/32)	13.5 (17/32)	12.7 (1/2)	194 (7-41/64)	206 (8-7/64)
<b>D1, D2</b>	162 (6-23/64)	53 (2-3/32)	106 (4-3/16)	212 (8-11/32)	184 (7-1/4)	236 (9-9/32)	118 (4-41/64)	26 (1-1/32)	12.7 (1/2)	236 (9-19/64)	248 (9-49/64)

# IEC Fused and Non-Fused Disconnects

## Approximate Dimensions, Continued

### Disconnect Switch Dim. Ref.: E1, E2, F1 (200 A and 400 A)

Dimensions in millimeters (inches). Dimensions are not intended to be used for manufacturing purposes.



① The switch is capable of accepting four (4) Ø 7.9 (5/16 dia.) screws for mounting.

### Enclosure Installation Dimensions

Dimension Reference	A		B		C		H		T		W	
	Minimum	Minimum	Minimum	Maximum	Minimum	Minimum	Minimum	Maximum	Minimum			
									Single Pole Aux. Cont.	Two Pole Aux. Cont.		
E1	108 (4-1/4)	305 (12)	227 (8-15/16)	610 (24)	610 (24)	1.6 (1/16)	4.8 (3/16)	394 (15-33/64)	406 (16)			
E2	108 (4-1/4)	356 (14)	227 (8-15/16)	610 (24)	712 (28)	1.6 (1/16)	4.8 (3/16)	394 (15-33/64)	406 (16)			
F1	108 (4-1/4)	381 (15)	243 (9-9/16)	610 (24)	762 (30)	1.6 (1/16)	4.8 (3/16)	606 (23-7/8)	606 (23-7/8)			

### Disconnect Switch and Operating Handle Installation Dimensions

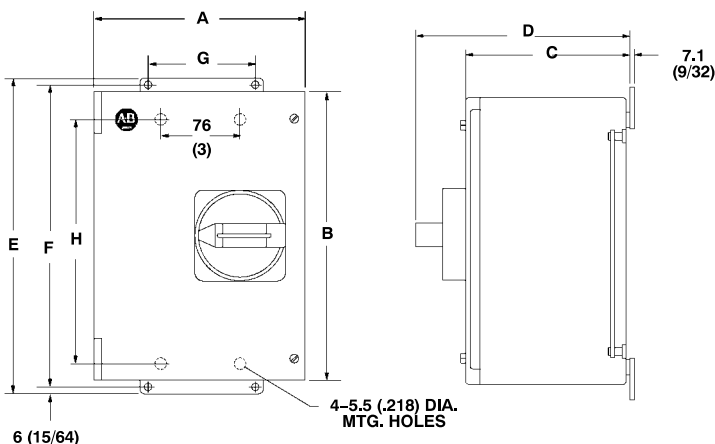
Dimension Reference	D	E	F	G	J	K	L	M	N	P	Q
E1	158 (6-7/32)	75 (2-61/64)	150 (5-29/32)	252 (9-59/64)	220 (8-21/32)	294 (11-37/64)	147 (5-25/32)	37 (1-29/64)	14 (35/64)	278 (10-15/16)	290 (11-13/32)
E2	209 (8-7/32)	75 (2-61/64)	150 (5-29/32)	252 (9-59/64)	220 (8-21/32)	294 (11-37/64)	147 (5-25/32)	37 (1-29/64)	14 (35/64)	278 (10-15/16)	290 (11-13/32)
F1	202 (7-61/64)	75 (2-61/64)	150 (5-29/32)	282 (11-7/64)	250 (9-27/32)	358 (14-3/32)	179 (7-3/64)	54 (2-1/8)	14 (35/64)	308 (12-1/8)	320 (12-19/32)

## IEC Fused and Non-Fused Disconnects

Approximate Dimensions, Continued

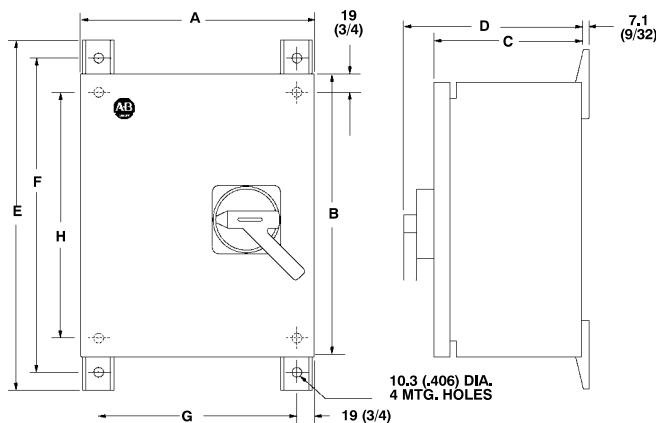
### IP66 (Type 3/4/12) Watertight, Dusttight Sheet Metal Enclosure

Dimensions in millimeters (inches). Dimensions are not intended to be used for manufacturing purposes.



External Mounting Feet Optional *Cat. No. 198-F1*

(A)	Type	Dim. Ref.	A	B	C	D	E	F	G	H
30	Non-Fused & Fused	A1 & A2	200 (7-7/8)	300 (11-13/16)	160 (6-19/64)	200 (7-7/8)	325 (12-51/64)	313 (12-21/64)	105 (4-1/8)	236 (9-9/32)
60	Non-Fused & Fused	B1 & B2	200 (7-7/8)	300 (11-13/16)	160 (6-19/64)	200 (7-7/8)	325 (12-51/64)	313 (12-21/64)	105 (4-1/8)	236 (9-9/32)
100	Non-Fused & Fused	C1	400 (15-3/4)	350 (13-25/32)	180 (7-3/32)	220 (8-21/32)	375 (14-3/4)	363 (14-19/64)	206 (8-1/8)	286 (11-1/4)



External Mounting Feet Optional *Cat. No. 198-F3*

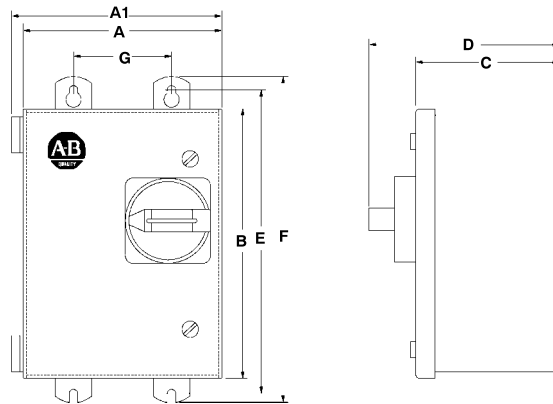
(A)	Type	Dim. Ref.	A	B	C	D	E	F	G	H
200	Non-Fused & Fused	D1	406 (16)	610 (24)	224 (8-51/64)	282 (11-5/64)	688 (27-5/64)	648 (25-1/2)	368 (14-1/2)	572 (22-1/2)
400	Non-Fused & Fused	F1	610 (24)	762 (30)	326 (12-51/64)	384 (15-5/64)	840 (33-5/64)	800 (31-1/2)	572 (22-1/2)	724 (28-1/2)

# IEC Fused and Non-Fused Disconnects

## Approximate Dimensions, Continued

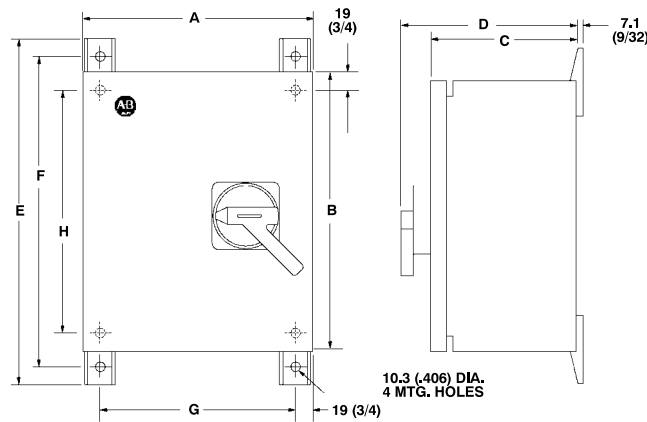
### Type 4/4X Watertight, Corrosion-Resistant Stainless Steel Enclosure

Dimensions in millimeters (inches). Dimensions are not intended to be used for manufacturing purposes.



External Mounting Feet Standard  
External Mounting Feet Optional **Cat. No. 198-F3**

(A)	Type	Dim. Ref.	A	A1	B	C	D	E	F	G	H
30	Non-Fused	A2	159 (6-1/4)	170 (6-11/16)	240 (9-7/16)	123 (4-27/32)	163 (6-7/16)	273 (10-3/4)	254 (10)	83 (3-1/4)	-
	Fused	A1	214 (8-7/16)	225 (8-7/8)	265 (10-7/16)	125 (4-29/32)	165 (6-1/2)	298 (11-23/32)	229 (11)	83 (3-1/4)	-
60	Non-Fused & Fused	B1 & B2	214 (8-7/16)	225 (8-7/8)	265 (10-7/16)	125 (4-29/32)	165 (6-1/2)	298 (11-23/32)	229 (11)	83 (3-1/4)	-



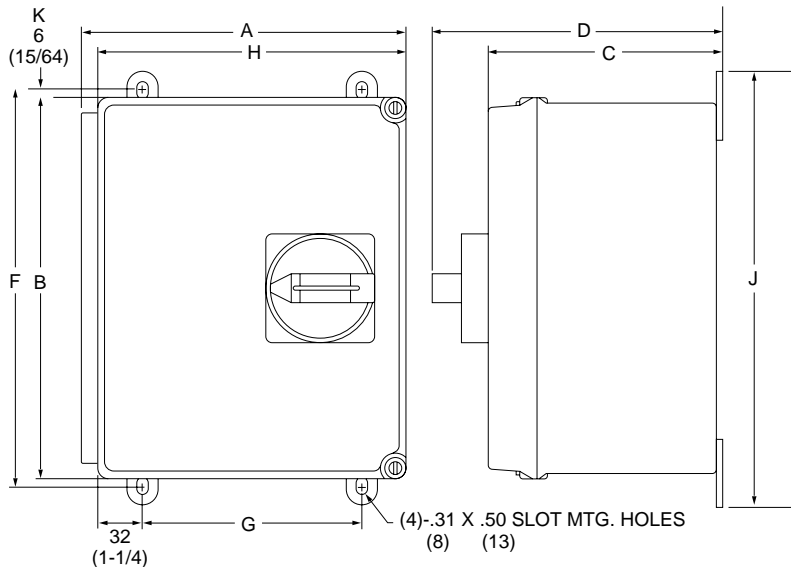
External Mounting Feet Optional **Cat. No. 198-F3**

(A)	Type	Dim. Ref.	A	A1	B	C	D	E	F	G	H
100	Non-Fused & Fused	C1	508 (20)	-	406 (16)	224 (8-51/64)	282 (11-7/64)	484 (19-5/64)	444 (17-1/2)	470 (18-1/2)	368 (14-1/2)
200	Non-Fused & Fused	D1	406 (16)	-	610 (24)	224 (8-51/64)	282 (11-5/64)	688 (27-5/64)	648 (25-1/2)	368 (14-1/2)	572 (22-1/2)
300	Non-Fused & Fused	F1	610 (24)	-	762 (30)	326 (12-51/64)	384 (15-5/64)	840 (33-5/64)	800 (31-1/2)	572 (22-1/2)	724 (28-1/2)

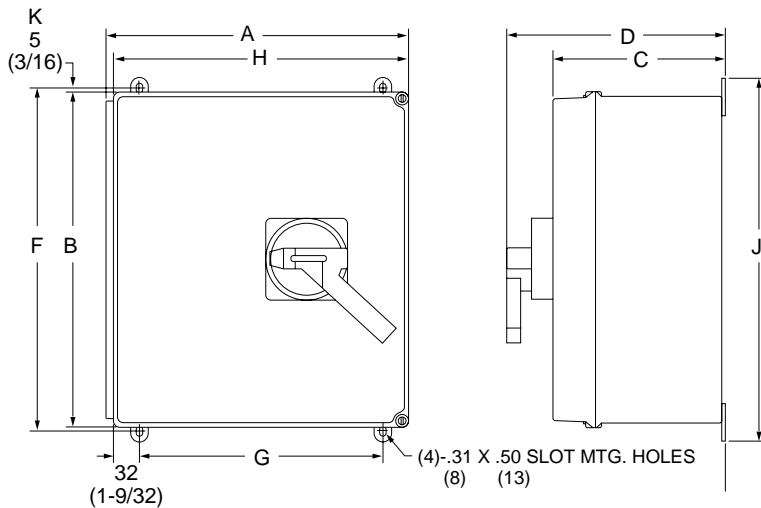
**IEC Fused and Non-Fused Disconnects**  
 Approximate Dimensions, Continued

**IP66 (Type 3/4/4X/12) Corrosion Resistant, Non-Metallic Enclosure**

Dimensions in millimeters (inches). Dimensions are not intended to be used for manufacturing purposes.



**Cat. No. 194R-K\_30P3, 194R-K\_60P3**  
 30 and 60 A Switch



**Cat. No. 194R-K\_100P3**  
 100 A Switch

Switch Size (A)	A	B	C	D	F	G	H	J	K
30/60	226 (8-59/64)	267 (10-1/2)	163 (6-27/64)	202 (7-61/64)	278 (10-61/64)	152 (6)	216 (8-1/2)	305 (12)	6 (15/64)
100	379 (14-15/16)	420 (16-1/4)	215 (8-31/64)	273 (10-49/64)	430 (16-61/64)	305 (12)	370 (14-9/16)	457 (18)	5 (13/64)