



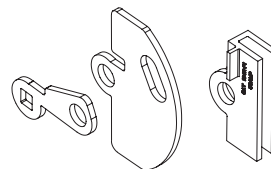
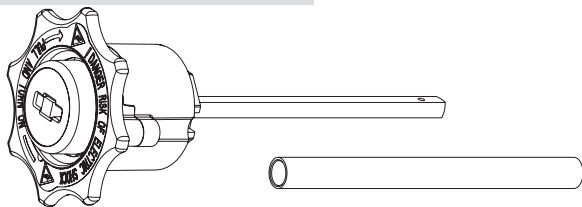
Installation Instructions for Bulletin 194R Operating Handle

(Cat 194R-NHR1, -NHR1M, -NHR2, -NHR2M, -NHR3, -NHR4, -NHR5, -NHR6)



ATTENTION: To prevent electrical shock, disconnect from power source before installing or servicing.

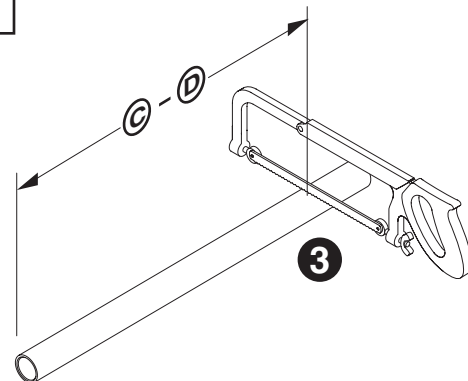
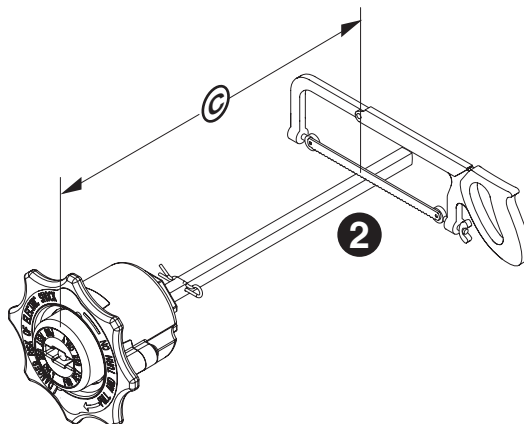
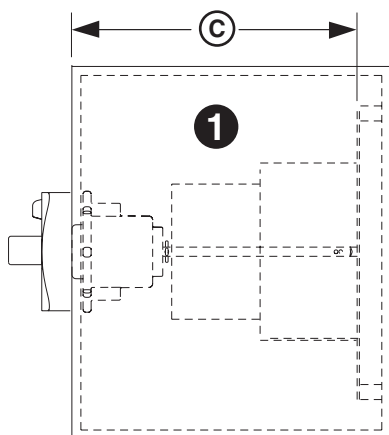
194R-NHR1, -NHR1M, -NHR2, -NHR2M



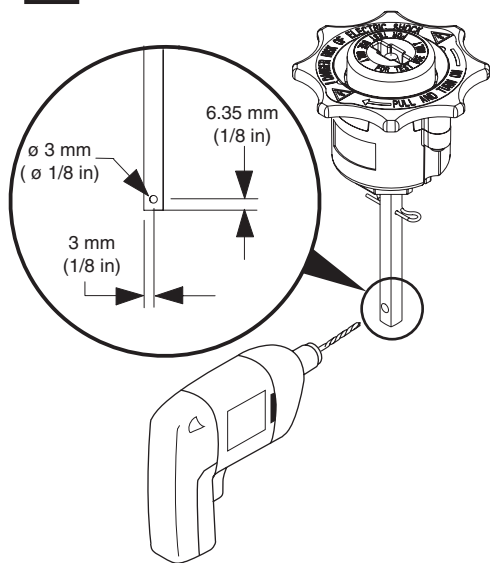
194R-P1

1

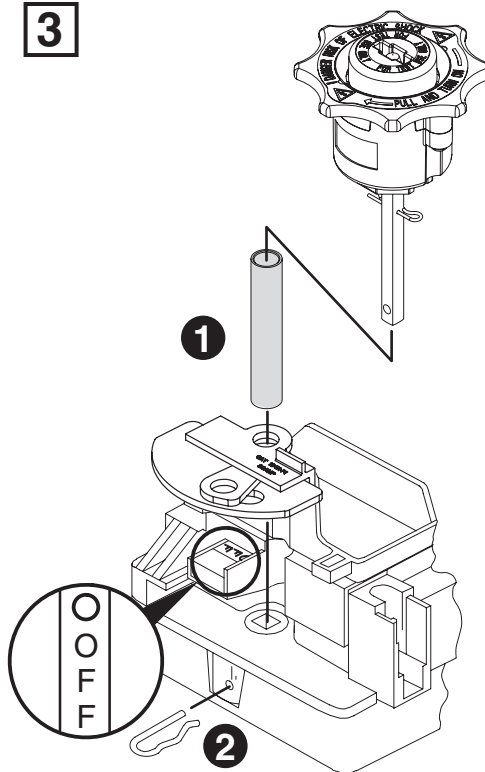
Disconnect	Ⓒ	Ⓓ
194R-N_030_ _ 194R-NA100_ _ 194R-NA200_ _	≥ 177.8 mm 7.0 in	63.5 mm 2.5 in
194R-N_060_ _ 194R-NA300_ _	≥ 177.8 mm 7.0 in	31.75 mm 1.25 in



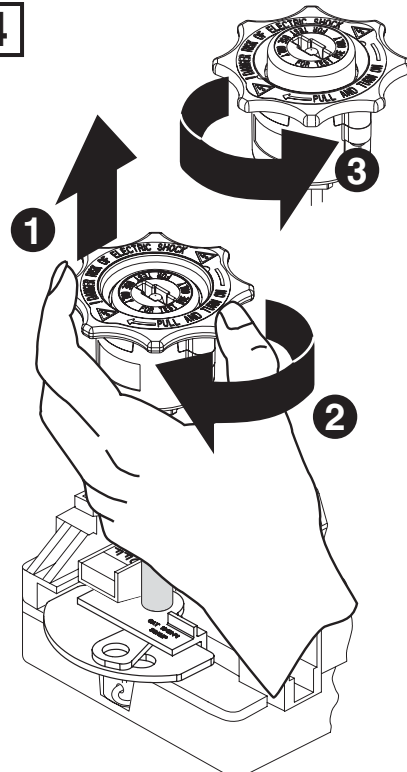
2



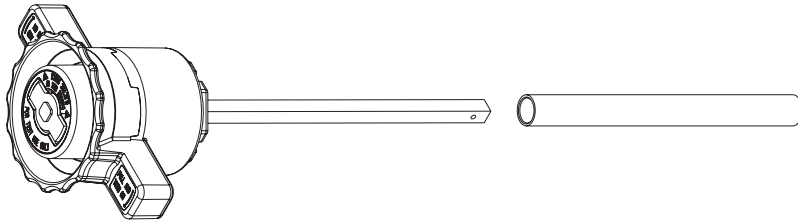
3



4

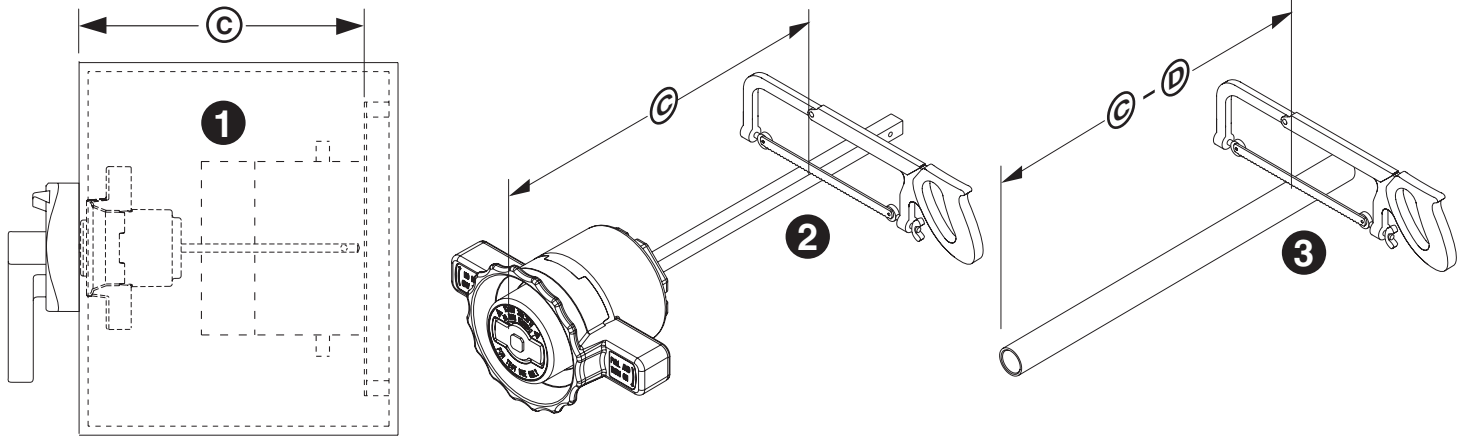


194R-NHR3, -NHR4, -NHR5, -NHR6

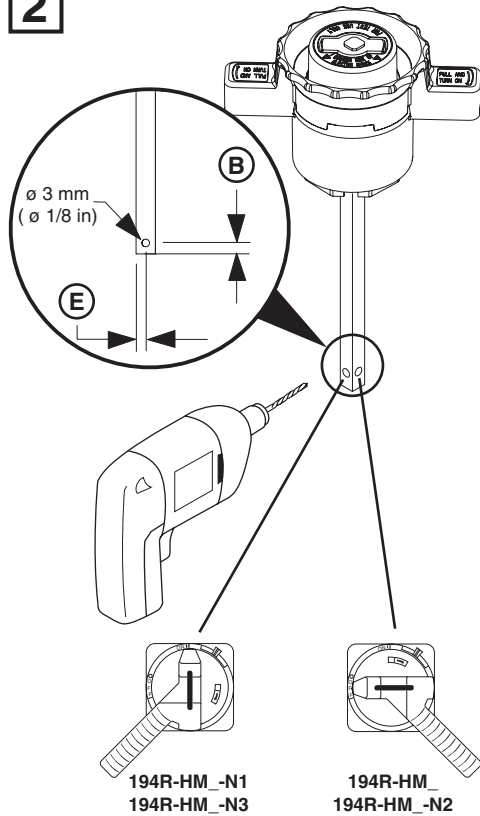


1

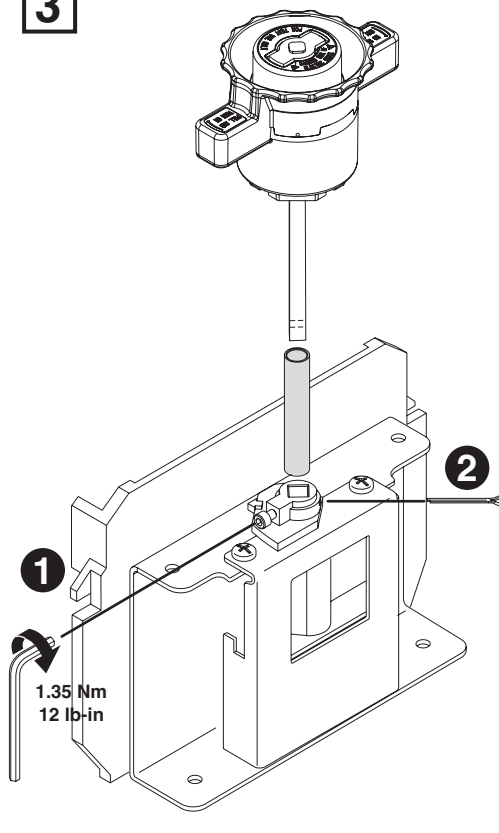
Disconnect			(B)	(C)	(D)	(E)
194R-NH100	194R-NJ200	194R-NA380	54 mm	≥ 216 mm	114 mm	4 mm
194R-NJ100	194R-NN200	194R-ND072	2.13 in	≥ 8.5 in	4.5 in	.156 in
194R-NN100	194R-NA400	194R-ND138				
194R-NB200	194R-ND300	194R-NJ400	68 mm	≥ 305 mm	152 mm	4.8 mm
194R-NB300	194R-NH200	194R-NN400	2.68 in	≥ 12.0 in	6.0 in	.188 in
194R-ND250	194R-NH400					



2



3



4

