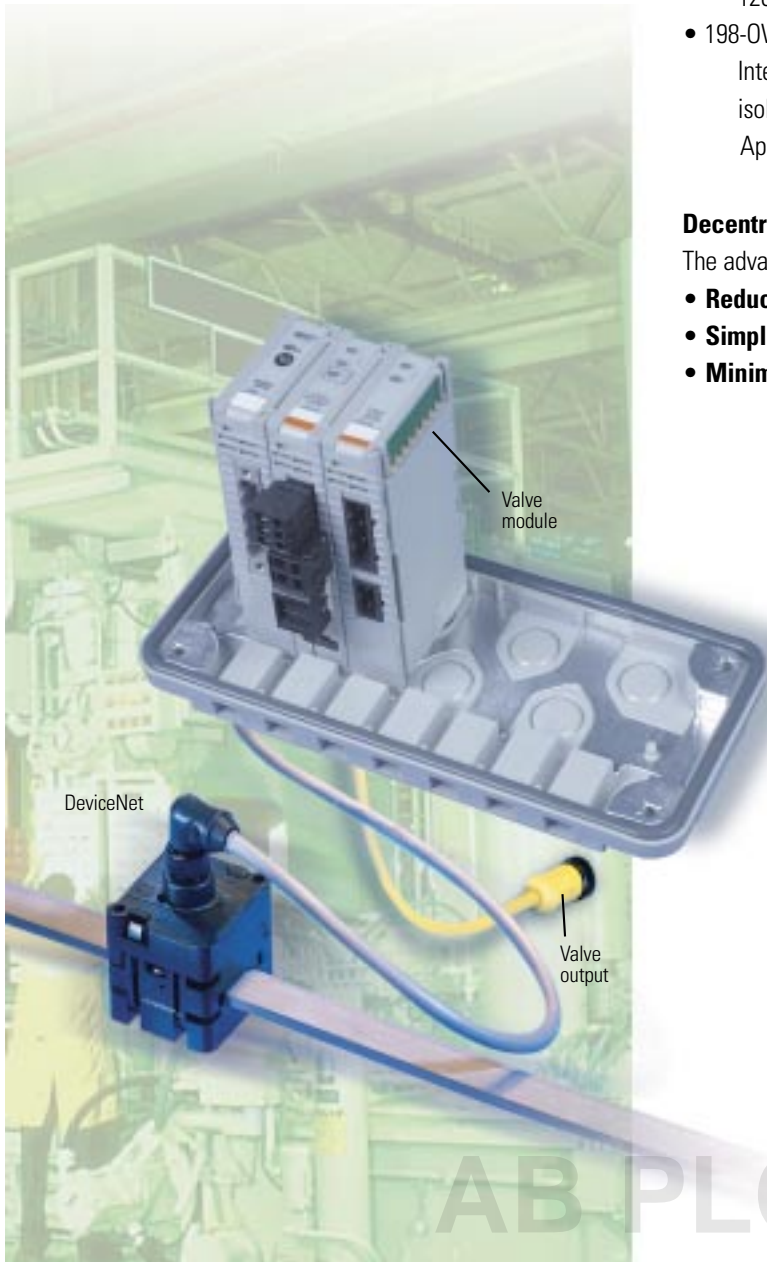


# Efficient Valve Control Opens Up New Applications

## Bulletin 198 Modular DSA I/O for distributed Starters Pneumatic Valve Modules

The Relay Valve Module 198-OW2-G4 and the DeviceNet Valve Module 198-OW2S-Q5 are designed to provide pneumatic valve control with the Modular DSA I/O system when used in connection with the DeviceNet Module 198-DN or 198-DNG. The module 198-OW2-G4 provides two relay outputs while the module 198-OW2S-Q5 has two DeviceNet powered 24 VDC outputs.



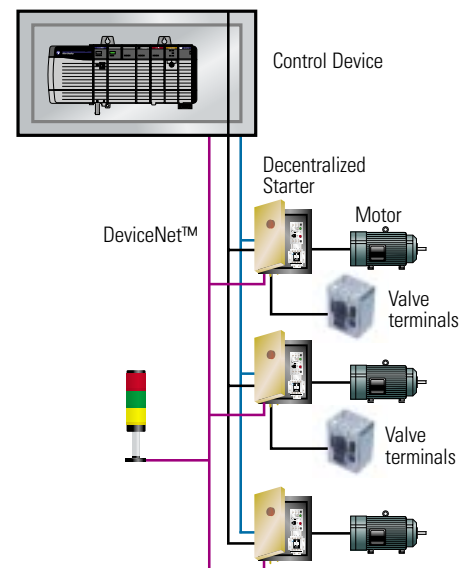
### Valve Modules Characteristics

- Gland plate mounting
- Stackable up to 16 modules with one MDSA DeviceNet module (1 node)
- M12 connector
- LED output indicators
- Removable terminal blocks
- 198-OW2-G4
  - 120 VAC or 24 VDC
- 198-OW2S-Q5
  - Internally sourced 24 VDC outputs, isolated from DeviceNet power
  - Approvals: UL, cUL, CE

### Decentralised Architecture

The advantages of Decentralised architecture:

- **Reduced wiring**
- **Simplified connectivity**
- **Minimised space requirements**

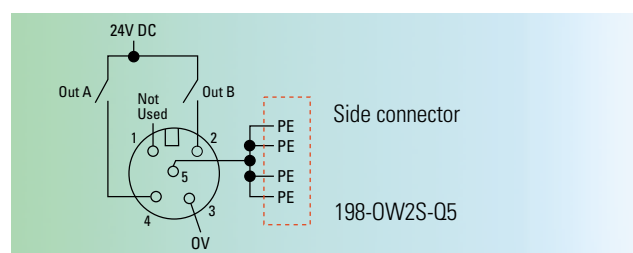
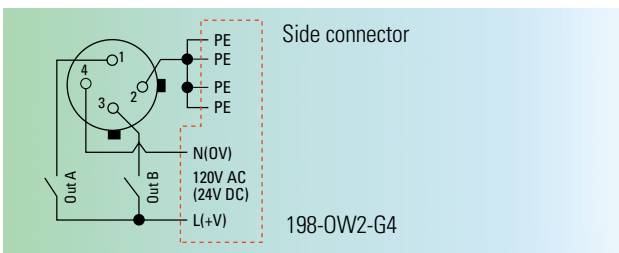


## Specifications

Electrical	198-OW2-G4	198-OW2S-Q5
Module Operating Voltage Range	11...25 VDC	11...25 VDC
Module Voltage Rating	24 VDC	24 VDC
Module Current Draw	49 mA @ 24 VDC	39 mA @ 24 VDC
Output Voltage Rating	120 VAC or 24 VDC	24 VDC
Output Load Current	4 A total (Out A + Out B)	0,5 A total (Out A + Out B)
Switching Device	Relay- B300, AC15, DC13	Relay- B300, AC15, DC13
Module Isolation	132 VAC working voltage 1500 VAC for 1s	132 VAC working voltage 1500 VAC for 1s

Environmental			
Ambient Temperature	Operating	-25...60°C (-4...140°F)	-25...60° (-4...140°F)
	Storage	-40...85°C (-40...185°)	-40...85°C (-40...185°F)
Relative Humidity		0...95% non-condensing	0...95% non-condensing
Shock	Operating	30 g peak acceleration	30 g peak acceleration
	Non-Operating	50 g peak acceleration	50 g peak acceleration
Operating Vibration		10 g @ 58...2000 Hz 0.060 in peak-to-peak displacement 2...57 Hz Per IEC 68-2-6	10 g @ 58...2000 Hz 0.060 in peak-to-peak displacement 2...57 Hz Per IEC 68-2-6

## Wiring



## Product Selection

Description	Input	Output	Cat. No.
Gland plate-mounted relay output <ul style="list-style-type: none"> <li>2-key, 4-pin, 1/2 thread connection</li> </ul>	0	2 Relay 120 VAC or 24 VDC	<b>198-OW2-G4</b>
Gland plate-mounted DC output <ul style="list-style-type: none"> <li>1-key, 5-pin, M12 thread</li> <li>DeviceNet-powered output</li> </ul>	0	2 24 VDC	<b>198-OW2S-Q5</b>
DC Micro tee <ul style="list-style-type: none"> <li>Use with 198-OW2S-Q5</li> </ul>			<b>898D-53PY-D5</b>
AC Micro tee <ul style="list-style-type: none"> <li>Use with 198-OW2-G4</li> </ul>			<b>898R-33PYX-R3</b>
AC Micro cordset <ul style="list-style-type: none"> <li>Use with 3-pin AC module</li> </ul>	2 m		<b>889R-M3AEA-2</b>
	5 m		<b>889R-M3AEA-5</b>
	10 m		<b>889R-M3AEA-10</b>
DC Micro cordset <ul style="list-style-type: none"> <li>Use with 5-pin DC module</li> </ul>	2 m		<b>889D-MSAC-2</b>
	5 m		<b>889D-MSAC-5</b>
	10 m		<b>889D-MSAC-10</b>

Reach us now at [www.rockwellautomation.com](http://www.rockwellautomation.com)

Americas Headquarters, 1201 South Second Street, Milwaukee, WI 53204, USA, Tel: (1) 414 382-2000, Fax: (1) 414 382-4444

European Headquarters SA/NV, Boulevard du Souverain 36, 1170 Brussels, Belgium, Tel: (32) 2 663 06 00, Fax: (32) 2 663 06 40

Asia Pacific Headquarters, 27/F Citicorp Centre, 18 Whitfield Road, Causeway Bay, Hong Kong, Tel: (852) 2887 4788, Fax: (852) 2508 4646

