

Bulletin 198

Modular DSA I/O for distributed Starters

Drive Modules

The Drive Modules 198-IB2XOB5S and 198-IB2XOB2S-Q5 are specifically designed to integrate the Bulletin 160 Drive into the Modular DSA I/O system when used in connection with the DeviceNet Module 198-DN or 198-DNG.

The module 198-IB2XOB5S provides control to the Preset Speed Drive while the module 198-IB2XOB2S-Q5 is designed to interface the Analog Voltage Follower Drive.



Drive Modules Characteristics

198-IB2XOB5S

- Two DC inputs internally powered from DeviceNet
- Five open collector outputs

198-IB2XOB2S-Q5

- Gland plate mounting
- Two DC inputs internally powered
- Two open collector outputs
- Analog voltage or current speed command using the through panel M12 connector or the side terminal block

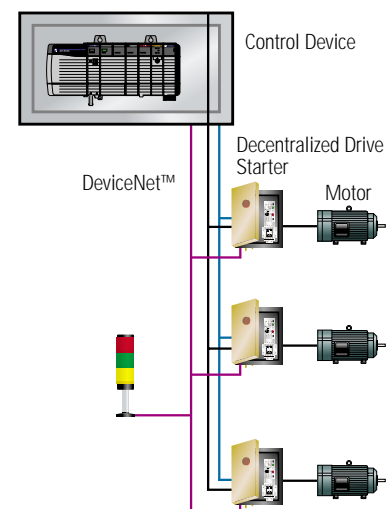
All modules

- Removable terminal block
- LED output indicator
- Can be combined with up to 16 modules on the same MDSA DeviceNet module (1 node)
- Approvals: UL, cUL, CE

Decentralised Architecture

The advantages of Decentralised architecture:

- **Reduced wiring**
- **Simplified connectivity**
- **Minimised space requirements**



AB Drives



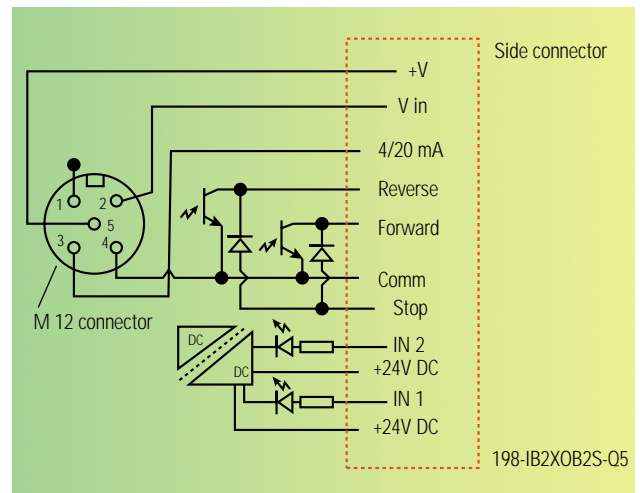
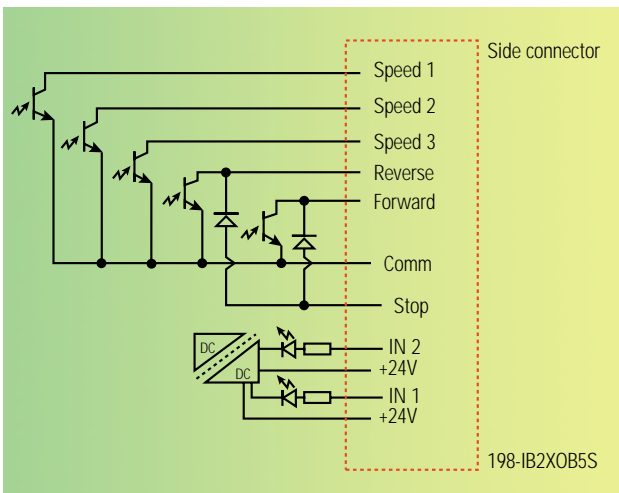
Bringing Together Leading Brands in Industrial Automation

Specifications

Electrical	198-IB2XOB5S	198-IB2XOB2S-Q5
Input Voltage Rating	24 VDC (sourced from module)	24 VDC (sourced from module)
Module Voltage Rating	24 VDC	24 VDC
Module Current Draw	100 mA @ 24 VDC	70 mA @ 24 VDC
Output Voltage Rating	24 VDC	24 VDC
Output Load Current	5 mA per output	5 mA per output
Switching Device	Solid State	Solid State
Module Isolation	132 VAC working voltage 1500 VAC for 1min.	132 VAC working voltage 1500 VAC for 1min.

Environmental		
Ambient Temperature	Operating	-25...60°C (-4...140°F)
	Storage	-40...85°C (-40...185°)
Relative Humidity		0...95% non-condensing
Shock	Operating	30 g peak acceleration
	Non-Operating	50 g peak acceleration
Operating Vibration		10 g @ 58...2000 Hz 0.060 in peak-to-peak displacement 2...57 Hz Per IEC 68-2-6

Wiring



Product Selection

Description	Input	Output	Cat. No.
Drive Preset Speed Module	2 (24 VDC)	5 open collector	198-IB2XOB5S
Gland plate-mounted Drive Voltage Follower Module • 1-key, 5-pin, M12 thread	2 (24 VDC)	2 open collector	198-IB2XOB2S-Q5

www.rockwellautomation.com

Corporate Headquarters

Rockwell Automation, 777 East Wisconsin Avenue, Suite 1400, Milwaukee, WI, 53202-5302 USA, Tel: (1) 414.212.5200, Fax: (1) 414.212.5201

Headquarters for Allen-Bradley Products, Rockwell Software Products and Global Manufacturing Solutions

Americas: Rockwell Automation, 1201 South Second Street, Milwaukee, WI 53204-2496 USA, Tel: (1) 414.382.2000, Fax: (1) 414.382.4444

Europe: Rockwell Automation SA/NV, Vorstlaan/Boulevard du Souverain 36-BP 3A/B, 1170 Brussels, Belgium, Tel: (32) 2 663 0600, Fax: (32) 2 663 0640

Asia Pacific: Rockwell Automation, 27/F Citicorp Centre, 18 Whitfield Road, Causeway Bay, Hong Kong, Tel: (852) 2887 4788, Fax: (852) 2508 1846

Headquarters for Dodge and Reliance Electric Products

Americas: Rockwell Automation, 6040 Ponders Court, Greenville, SC 29615-4617 USA, Tel: (1) 864.297.4800, Fax: (1) 864.281.2433

Europe: Rockwell Automation, Brühlstraße 22, D-74834 Elztal-Dallau, Germany, Tel: (49) 6261 9410, Fax: (49) 6261 17741

Asia Pacific: Rockwell Automation, 55 Newton Road, #11-01/02 Revenue House, Singapore 307987, Tel: (65) 351 6723, Fax: (65) 355 1733