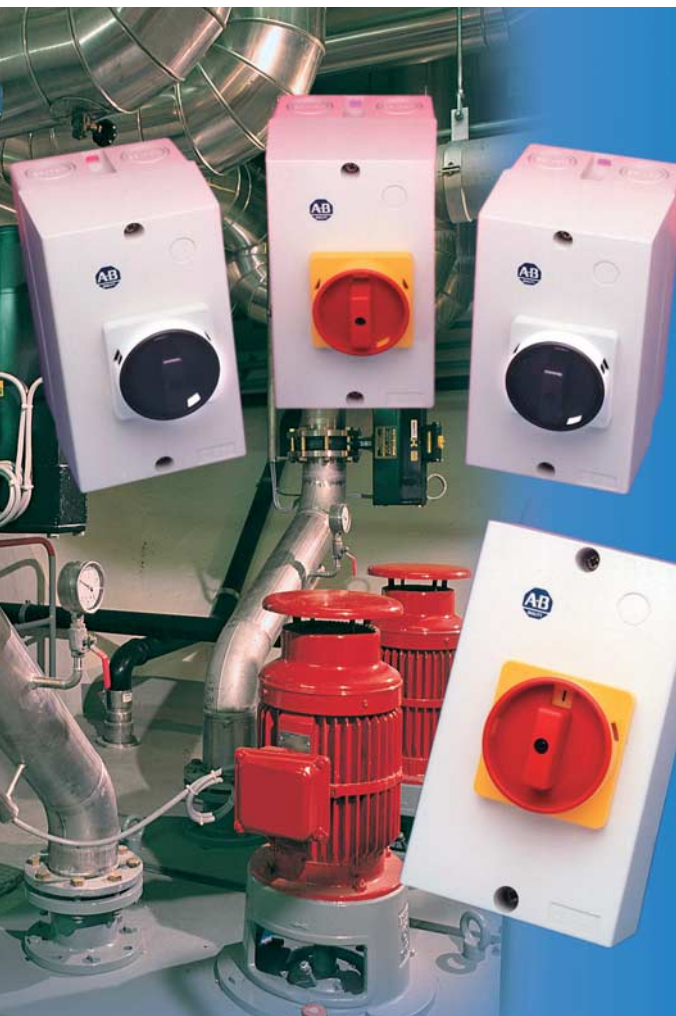


Enclosures 198E

Your Turn for Cost Effective Motor Starting



Suitable for fixed speed direct-on-line (DOL) motor starting up to 25 A (11 kW) for the use in:

- Material handling
- Small workshops for drills, lathes, etc.
- Small single drive OEM machinery
- Refrigeration
- Conveyor systems
- Air handling units
- Fans
- Industrial lighting

Compact IP 65 enclosure suitable for fitting the current limiting 140M-C range of motor protective circuit breakers which incorporate:

- Adjustable thermal release
- Ambient temperature compensation
- Magnetic release $13 \times I_e$ max.
- Self protected starter up to 10 A (4 kW); no back up fuse required
- Main Switch/Emergency Off approval to IEC 204-1
- Covering the range from 0.1 A to 25 A (11 kW) AC-3
- 140M-C can be fitted with front and one side mounted Auxiliary Contact(s) (right hand side) plus a Undervoltage Trip Unit (left hand side)
- Transformer (for high inrush currents) and Starter versions of the 140M-C can be fitted
- Starter can be used in single phase (neutral terminal included) and three phase motor applications
- Facility for the fitting of indicating light within the enclosure cover
- Phase loss protection
- Trip class 10
- Disconnecter approval to IEC 947-2

Facilitates starter component reduction by replacing fuses or MCCB's, enclosed switch disconnecter and enclosed contactor/overload relay with start/stop pushbuttons.

Cost effective motor protection

- Compact design, shock-resistant, made of high-grade ABS
- Fast and easy installation, facilitates top and/or bottom cable entry with 2 off M20/25 knockouts
- «ON», «OFF», «TRIPPED» positions incorporated into the handle. Lockable in the «OFF» position
- Provision for three padlocks
- IP 65, conceived for heavy-duty applications
- Extensive status indication available
- Can be used with Undervoltage Trip in emergency stop circuit (where appropriate)
- Common accessories throughout the range

Enclosures



Main Switch
Grey legend plate,
black knob
Cat. No.

198E-AYTG2



Main Switch / Emergency Off
Yellow legend plate,
red knob
Cat. No.

198E-AYTJ2

Enclosures are delivered without Circuit Breaker

AB Drives



Bringing Together Leading Brands in Industrial Automation

Selection of Circuit Breakers 140M for installation into Enclosures 198E

Rated operational current I_e [A]	Thermal release adjustment range [A]	Magnetic release operating current [A]	Motor rating		I_{cu} 400 V [kA]	I_{cs} [kA]	Back-up fuses gG, gL only if $I_{cc} > I_{cu}$ 230 V 400 V [A]		Motor protection version Cat. No.	Starter version (short-circuit protection) Thermal release adjustment range [A] Cat. No.		Transformer version (high inrush current) Magnetic release operating current [A] Cat. No.	
			AC-2, AC-3 230 V [kW]	400 V [kW]									
0.16	0.1 ... 0.16	2.1	-	0.02	100	100	◇	◇	140M-C2E-A16	none	140M-C2N-A16	3.2	140M-C2T-A16
0.25	0.16 ... 0.25	3.3	-	0.04	100	100	◇	◇	140M-C2E-A25	none	140M-C2N-A25	5.2	140M-C2T-A25
0.4	0.25 ... 0.4	5.2	-	0.09	100	100	◇	◇	140M-C2E-A40	none	140M-C2N-A40	8.2	140M-C2T-A40
0.63	0.4 ... 0.63	8.2	0.09	0.18	100	100	◇	◇	140M-C2E-A63	none	140M-C2N-A63	13	140M-C2T-A63
1.0	0.63 ... 1.0	13	0.12	0.25	100	100	◇	◇	140M-C2E-B10	none	140M-C2N-B10	21	140M-C2T-B10
1.6	1.0 ... 1.6	21	0.25	0.55	100	100	◇	◇	140M-C2E-B16	none	140M-C2N-B16	32	140M-C2T-B16
2.5	1.6 ... 2.5	33	0.37	0.75	100	100	◇	◇	140M-C2E-B25	none	140M-C2N-B25	52	140M-C2T-B25
4.0	2.5 ... 4.0	52	0.75	1.5	100	100	◇	◇	140M-C2E-B40	-	-	82	140M-C2T-B40
6.3	4.0 ... 6.3	82	1.5	2.2	100	100	◇	◇	140M-C2E-B63	-	-	130	140M-C2T-B63
10	6.3 ... 10	130	2.2	4.0	100	100	◇	◇	140M-C2E-C10	-	-	208	140M-C2T-C10
16	10 ... 16	208	4.0	7.5	50	50	◇	80	140M-C2E-C16	-	-	260	140M-C2T-C16
20	14.5 ... 20	260	5.5	10	15	15	100	100	140M-C2E-C20	-	-	-	-
25	18 ... 25	325	-	11	15	15	100	100	140M-C2E-C25	-	-	-	-

◇ No back-up fuse required

ⓘ For motor currents > 19 A, only the device 140M-C2E-C25 has to be used in this enclosure

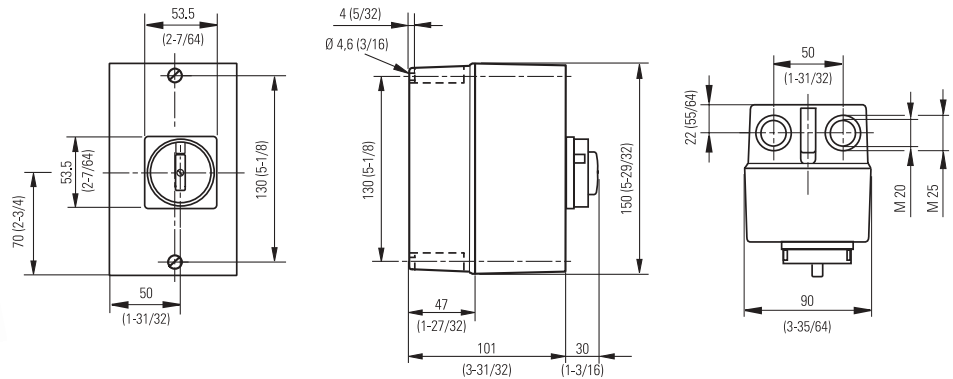
Accessories

Auxiliary Contact Blocks	N.O.	N.C.	Cat. No.
• Front mounted	1	0	140M-C-AFA10
• 1-pole or 2-pole	0	1	140M-C-AFA01
• No additional space required	1	1	140M-C-AFA11
	2	0	140M-C-AFA20
• Right hand side mounted	2	0	140M-C-ASA20
• 2-pole	0	2	140M-C-ASA02
	1	1	140M-C-ASA11

Indicator Light IP 54				Cat. No.
• Mounting in upper part of enclosure	red	120 V		140-LR120
		240 V		140-LR240
• 180 mm connection cable		400 V		140-LR400
• Lamp included	green	120 V		140-LG120
		240 V		140-LG240
		400 V		140-LG400
	white	120 V		140-LW120
		240 V		140-LW240
		400 V		140-LW400



Undervoltage Trip Unit	Control Voltage	Cat. No.
• Left hand side mounted	24 V 50 Hz / 28 V 60 Hz	140M-C-UXK
	110 V 50 Hz / 127 V 60 Hz	140M-C-UXC
	220 ... 230 V 50 Hz	140M-C-UXF
	240 ... 260 V 60 Hz	140M-C-UXA
	380 ... 400 V 50 Hz / 440 ... 460 V 60 Hz	140M-C-UXN



Reach us now at www.rockwellautomation.com

Wherever you need us, Rockwell Automation brings together leading brands in industrial automation including Allen-Bradley controls, Reliance Electric power transmission products, Dodge mechanical power transmission components, and Rockwell Software. Rockwell Automation's unique, flexible approach to helping customers achieve a competitive advantage is supported by thousands of authorized partners, distributors and system integrators around the world.

Americas Headquarters, 1201 South Second Street, Milwaukee, WI 53204, USA, Tel: (1) 414 382-2000, Fax: (1) 414 382-4444
European Headquarters SA/NV, Boulevard du Souverain 36, 1170 Brussels, Belgium, Tel: (32) 2 663 06 00, Fax: (32) 2 663 06 40
Asia Pacific Headquarters, 27/F Citicorp Centre, 18 Whitfield Road, Causeway Bay, Hong Kong, Tel: (852) 2887 4788, Fax: (852) 2508 1846

