

871P VersaCube™ 4-Wire DC

Weld Field Immune/Weld Slag Resistant Cube Style



871P DC WFI Micro
Quick-Disconnect Style



Specifications

Load Current	≤200mA
Inrush Current (1 cycle)	≤2A
Leakage Current	≤80μA
Operating Voltage	10–30V DC
Voltage Drop	<2.5V
Repeatability	≤5%
Hysteresis	12% typical
Short Circuit Protection	Incorporated
Reverse Polarity Protection	Incorporated
Approvals	cULus and CE marked for all applicable directives
Enclosure	IP67
Connections	4-pin micro quick-disconnect style
LED	Green: Output energized; Orange: Target present
Operating Temperature	Shielded: -25°C to +70°C (-13°F to +158°F) Unshielded: -10°C to +70°C (14°F to +158°F)
Shock and Vibration	5g, 30–55Hz per IEC 60947-5-2

Features

- New rugged housing
- Weld-slag resistant body and face
- Convenient mounting base
- Weld field immune
- Equal sensing capabilities
- Shielded or unshielded models
- 10–30V DC
- Complementary normally open and normally closed outputs

Correction Factors

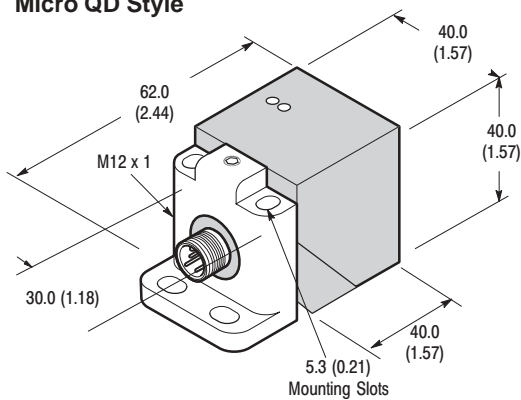
Target Material	Correction Factor
Steel	1.0
Stainless Steel	1.0
Brass	1.0
Aluminum	1.0
Copper	1.0

Product Selection

Head Size	Weld Field Immune	Nominal Sensing Distance mm (inches)	Shielded	Output Configuration	Switching Frequency (Hz)	Catalog Number
40mm	Y	15 (0.59)	Y	N.O. and N.C.	400	871P-MW15BP40LD4
		35 (1.37)	N		200	871P-NW35BP40LD4
Recommended Standard QD Cordset (-2 = 2m (6.5ft))						889D-F4WE-2

Dimensions—mm (inches)

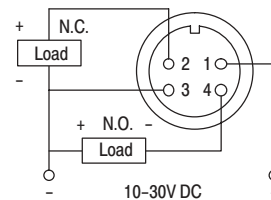
Micro QD Style



Wiring Diagram

Complementary Normally Open and Normally Closed

PNP (Sourcing)



Allen-Bradley Spares