



802PR AC/DC  
 Cable Style  
 page 2-139



802PR AC/DC Mini  
 Quick-Disconnect Style  
 page 2-140



802PR AC/DC Micro  
 Quick-Disconnect Style  
 page 2-141



802PR AC/DC  
 Conduit Style  
 page 2-142



### Specifications

<b>Load Current</b>	AC 4–25mA; DC 2–25mA
<b>Leakage Current</b>	≤1.7mA at 132V, ≤2.5mA at 250V
<b>Operating Voltage</b>	20–250V AC/DC
<b>Voltage Drop</b>	≤10V
<b>Repeatability</b>	≤10% typical
<b>Hysteresis</b>	≤10% typical
<b>Transient Noise Protection</b>	Incorporated
<b>Short Circuit Protection</b>	Incorporated
<b>Overload Protection</b>	Incorporated
<b>False Pulse Protection</b>	Incorporated
<b>Radio Frequency Protection</b>	10V per meter; Frequency range 20–1000 MHz
<b>Approvals</b>	UL listed, CSA certified, and CE marked for all applicable directives
<b>Enclosure</b>	NEMA 1, 2, 3, 4, 4X <sup>❶</sup> , 12, 13, IP65 (IEC 529) Self extinguishing glass-reinforced polyester body
<b>Connections</b>	Cable: 2.4m (8ft) length 2-conductor ToughLink™ Quick-Disconnect: 3-pin micro style 3-pin mini style Conduit Opening or Conduit Coupler: Internal thread with screw terminals (use #18–14 AWG wire)
<b>LEDs</b>	Green: Power; Red: Output energized (both on in SCP/Overload)
<b>Operating Temperature</b>	–25°C to +75°C (–13°F to +167°F)
<b>Shock</b>	30g, 11ms
<b>Vibration</b>	55Hz, 1mm amplitude, 3 planes

❶ Corrosion resistant models

### Features

- 2-wire operation
- 2-conductor or 3-pin connection
- 20–250V AC/DC (for solid state inputs)
- Normally open output
- Short circuit, overload, false pulse, RFI and transient noise protection
- Corrosion resistant models
- 2 LEDs
- UL listed, CSA certified, and CE marked for all applicable directives

### Correction Factors

Target Material	Correction Factor
Steel	1.0
Stainless Steel	0.9
Brass	0.8
Aluminum	0.75
Copper	0.7

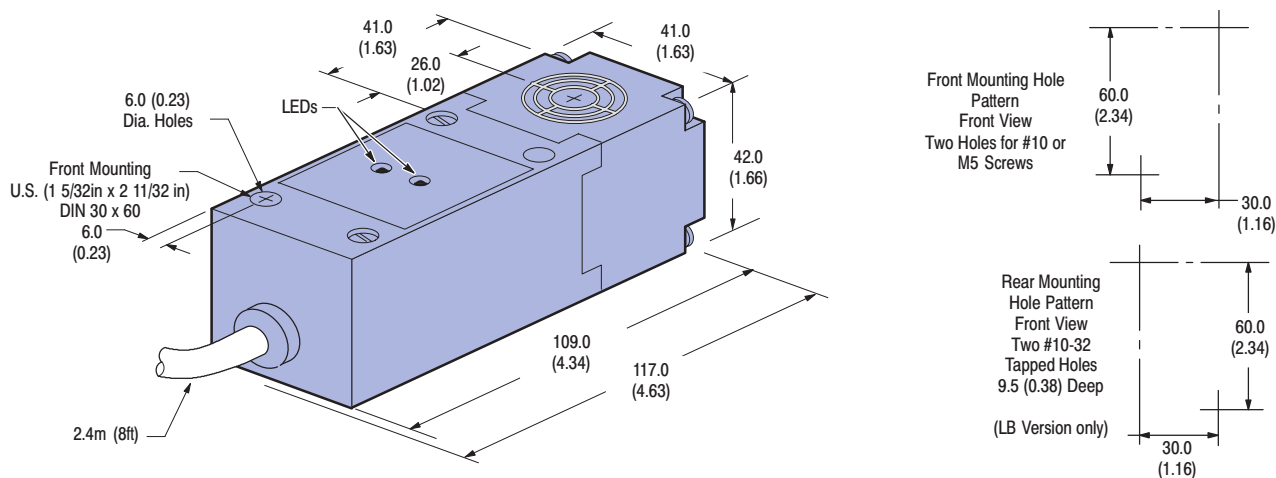
### Product Selection

Sensing Direction	Nominal Sensing Distance mm (inches)	Shielded	Output Configuration	Switching Frequency (Hz)	Cable Length m (ft)	Corrosion Resistant	Catalog Number Cable Style
Side	17 (0.67)	Y	N.O.	20	2.5 (8)	Y	802PR-XBAM1-08
						N	802PR-LBAM1-08
					3.6 (12)	Y	802PR-XBAM1-12
						N	802PR-LBAM1-12
Top	17 (0.67)	Y	N.O.	20	2.5 (8)	Y	802PR-XBAR1-08
						N	802PR-LBAR1-08
					3.6 (12)	Y	802PR-XBAR1-12
						N	802PR-LBAR1-12

### Accessories

Description	Page Number
Terminal Chambers	7-20

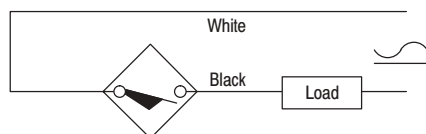
### Dimensions—mm (inches)



**Note:** Side sensing model heads can be turned in 90° increments to accommodate 4 side sensing positions.

### Wiring Diagram

**Normally Open**



**Note:** Load can be switched to white lead.

Inductive Proximity Sensors

**802PR 2-Wire AC/DC, Mini Quick-Disconnect Style**

Limit Switch Style

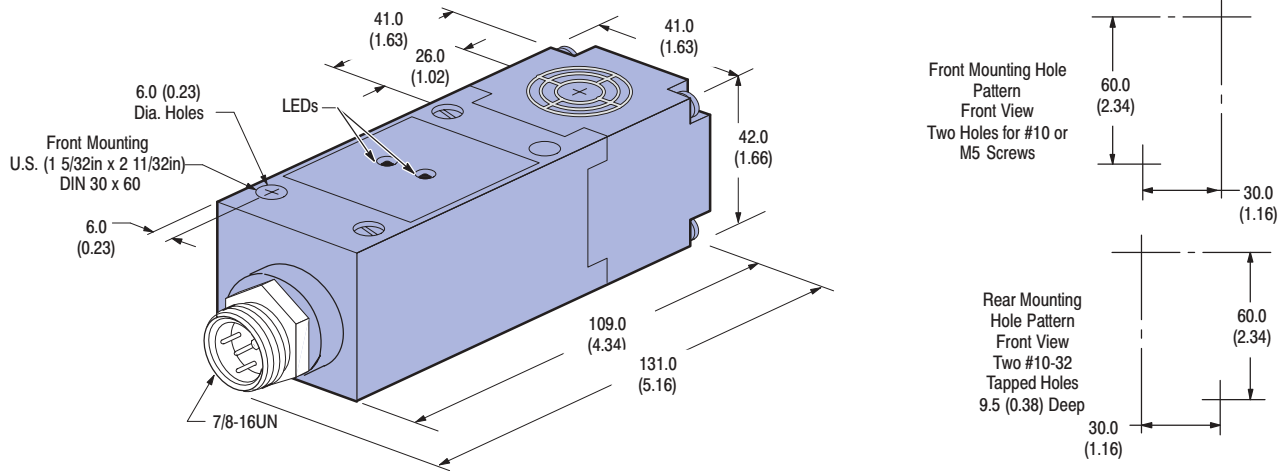
Product Selection

Sensing Direction	Nominal Sensing Distance mm (inches)	Shielded	Output Configuration	Switching Frequency (Hz)	Catalog Number Mini QD Style
Side	17 (0.67)	Y	N.O.	20	802PR-LBAE1
Top					802PR-LBAK1
Recommended Standard QD Cordset Required (-6F = 1.8m (6ft))					889N-F3AFC-6F

QD Cordsets and Accessories

Description	Page Number
Other Cordsets Available	7-8
Terminal Chambers	7-20

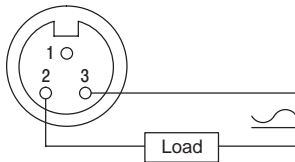
Dimensions—mm (inches)



**Note:** Side sensing model heads can be turned in 90° increments to accommodate 4 side sensing positions.

Wiring Diagram

Normally Open



**Note:** Load can be switched to Pin 3.

Inductive Proximity Sensors  
**802PR 2-Wire AC/DC, Micro Quick-Disconnect Style**  
 Limit Switch Style

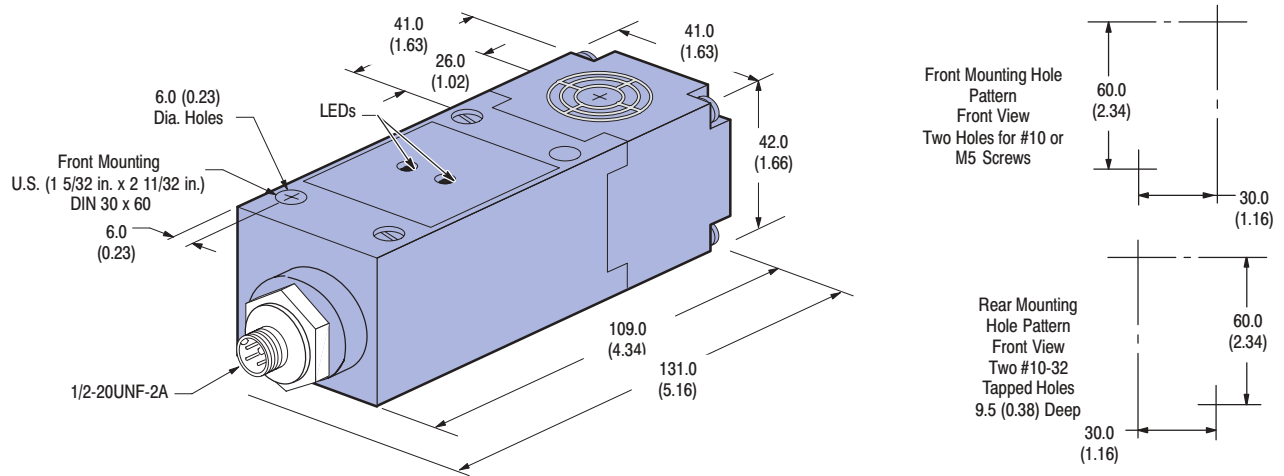
**Product Selection**

Sensing Direction	Nominal Sensing Distance mm (inches)	Shielded	Output Configuration	Switching Frequency (Hz)	Catalog Number Micro QD Style
Side	17 (0.67)	Y	N.O.	20	802PR-LBAC1
Top					802PR-LBAF1
Recommended Standard QD Cordset Required (-2 = 2m (6.5ft))					889R-F3ACA-2

**QD Cordsets and Accessories**

Description	Page Number
Other Cordsets Available	7-8
Terminal Chambers	7-20

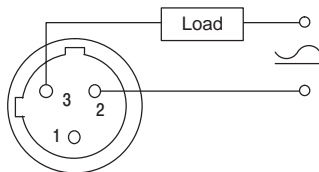
**Dimensions—mm (inches)**



**Note:** Side sensing model heads can be turned in 90° increments to accommodate 4 side sensing positions.

**Wiring Diagram**

**Normally Open**



**Note:** Load can be switched to pin 2.

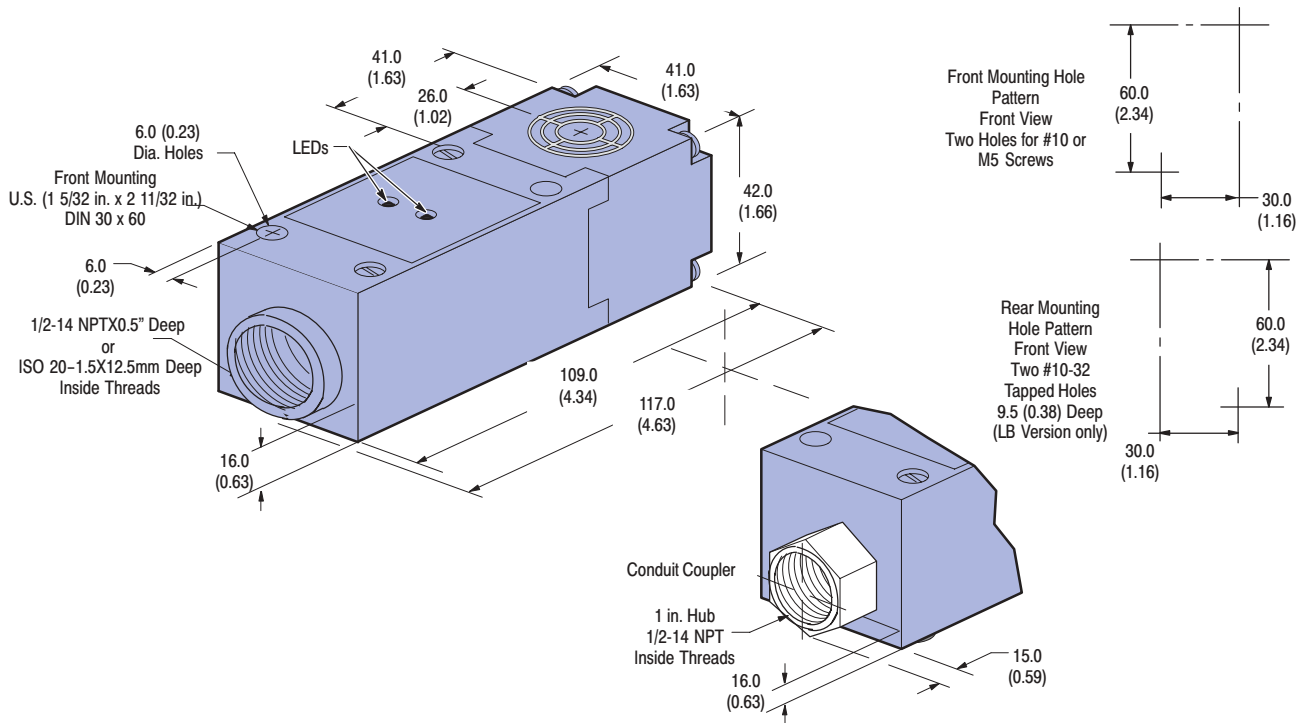
# 802PR 2-Wire AC/DC, Conduit Style

## Limit Switch Style

### Product Selection

Sensing Direction	Nominal Sensing Distance mm (inches)	Shielded	Output Configuration	Switching Frequency (Hz)	Corrosion Resistant	Connection Type	Catalog Number Conduit Style
Side	17 (0.67)	Y	N.O.	20	Y	1/2"-14NPT	802PR-XBAB1
					N		802PR-LBAB1
					Y	ISO 20-1.5	802PR-XBAB1-S6
					N		802PR-LBAB1-S6
					N	Conduit Coupler	802PR-LBAA1
Top	17 (0.67)	Y	N.O.	20	Y	1/2"-14NPT	802PR-XBAH1
					N		802PR-LBAH1
					Y	ISO 20-1.5	802PR-XBAH1-S6
					N		802PR-LBAH1-S6
					N	Conduit Coupler	802PR-LBAJ1

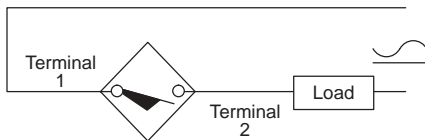
### Dimensions—mm (inches)



**Note:** Side sensing model heads can be turned in 90° increments to accommodate 4 side sensing positions.

### Wiring Diagram

#### Normally Open



**Note:** Load can be switched to Terminal 1.