



802PR AC/DC  
 Conduit Style  
 page 2-144



**Features**

- 2-wire operation
- 2-terminal connection
- 20–250V AC/DC (for solid state inputs)
- Normally open output
- Short circuit, overload, false pulse, RFI, and transient noise protection
- Hazardous location rating
- 2 LEDs
- UL listed, CSA certified, and Factory Mutual approved

**Specifications**

<b>Load Current</b>	AC: 4–25mA    DC: 2–25mA
<b>Leakage Current</b>	≤1.7mA at 132V, ≤2.5mA at 250V
<b>Operating Voltage</b>	20–250V AC/DC
<b>Voltage Drop</b>	≤10V
<b>Repeatability</b>	≤10% typical
<b>Hysteresis</b>	≤10% typical
<b>Transient Noise Protection</b>	Incorporated
<b>Short Circuit Protection</b>	Incorporated
<b>Overload Protection</b>	Incorporated
<b>False Pulse Protection</b>	Incorporated
<b>Radio Frequency Protection</b>	≤10V per meter Frequency range 20–1000 MHz
<b>Approvals</b>	UL listed, CSA certified, and Factory Mutual approved
<b>Enclosure</b>	NEMA 1, 2, 3, 4, 12, 13 IP65 (IEC 529) Division 2 Class I: Groups A, B, C & D; Class II: Groups F & G; Class III: All groups Self-extinguishing glass-reinforced polyester body
<b>Connection</b>	Conduit Coupler: 1/2–14 NPT internal thread with screw terminals use (#18–14 AWG wire)
<b>LEDs</b>	Green: Power Red: Output energized (both on in SCP/Overload)
<b>Operating Temperature</b>	–25°C to +75°C (–13°F to +167°F)
<b>Shock</b>	30g, 11ms
<b>Vibration</b>	55Hz, 1mm amplitude, 3 planes

**Correction Factors**

Target Material	Correction Factor
Steel	1.0
Stainless Steel	0.9
Brass	0.8
Aluminum	0.75
Copper	0.7

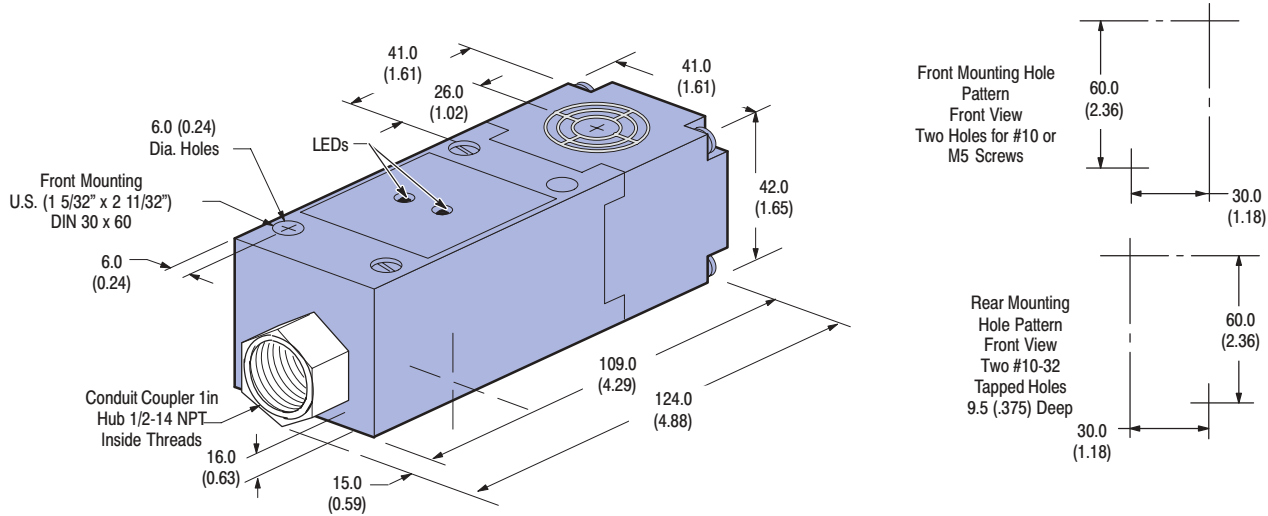
# 802PR 2-Wire AC/DC Hazardous Location, Conduit Style

## Limit Switch Style

### Product Selection

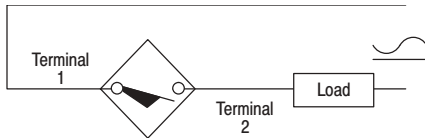
Sensing Direction	Nominal Sensing Distance mm (inches)	Shielded	Output Configuration	Switching Frequency (Hz)	Catalog Number Conduit Style
Side	17 (0.67)	Y	N.O.	20	802PR-LBAA3
Top					802PR-LBAJ3

### Dimensions—mm (inches)



**Note:** Side-sensing model heads can be turned in 90° increments to accommodate 4 side-sensing positions.

### Wiring Diagram



**Note:** Load can be switched to Terminal 1.