

871P Can Sensors 2-Wire AC



871P AC Short-Range
76 x 36 x 58mm
page 2-159



Features

- 2-wire operation
- 3-conductor connection
- 30–150V AC
- Normally open
- Short- and long-range models
- Stainless steel housing
- 1200psi (8270kPa) washdown
- False pulse, transient noise, short circuit, and overload protection

Specifications

Outputs	Normally Open
Load Current	300mA
Minimum Load Current	15mA
Leakage Current	<1.5mA
Inrush Current	<5A (20ms)
Operating Voltage	30 to 150V AC RMS
Line Frequency	40 to 60Hz
Voltage Drop	<15V @300mA
Repeatability	≤2%
Hysteresis	10% typical
False Pulse Protection	Incorporated
Transient Noise Protection	Incorporated
Short Circuit Protection	Incorporated
Overload Protection	Incorporated
Approvals	UL listed and CE marked for all applicable directives
Enclosure	NEMA 1, 3, 4, 4X, 6, 6P, 12, 13, IP67 (IEC 529), 1200psi (8270kPa) washdown
Connections	3-pin mini style
LEDs	Red: Output Energized
Operating Temperature	-20°C to +70°C (0°F to +160°F)
Housing Material	Stainless steel, plastic face
Mounting	2 stainless steel studs

AB Spares

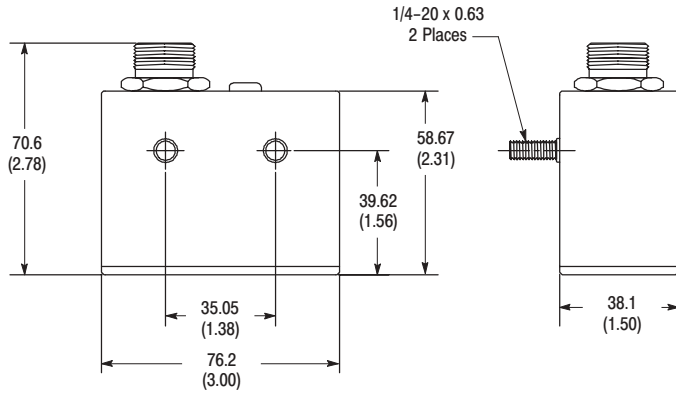
Product Selection

Style	Container Sizes	Nominal Sensing Distance mm (inches)	Shielded	Output Configuration	Switching Frequency (Hz)	Catalog Numbers Mini QD Style
Short	202-401	Steel: 19mm (0.75in) Aluminum: 13mm (0.50in)	Y	N.O.	25	871P-AC19N76-N3
Long	202-704	Steel: 29mm (1.15in) Aluminum: 15mm (0.60in)				871P-AC29N140-N3
Recommended Standard QD Cordset (-6F = 1.8m (6ft))						889N-F3AFC-6F

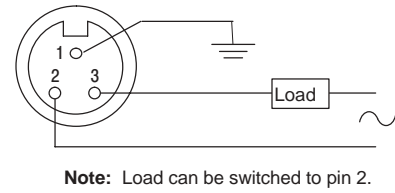
QD Cordsets

Description	Page Number
Other Cordsets Available	7-8
Terminal Chambers	7-20

Dimensions—mm (inches)
Short-Range Mini QD Style



Wiring Diagram



Long-Range Mini QD Style

