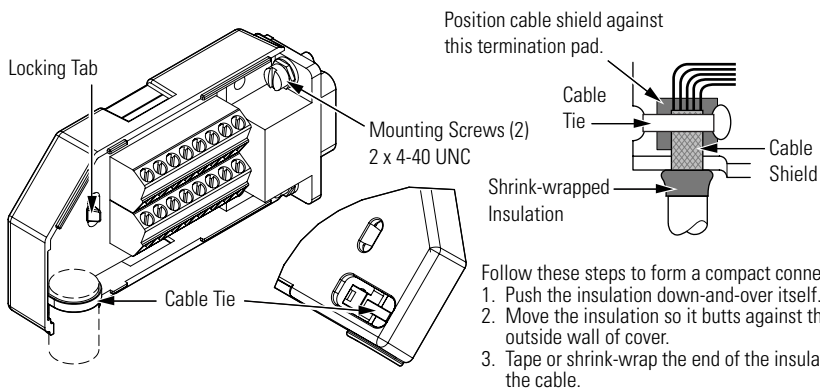


# Motor Feedback Breakout Board

Catalog Number 2090-UXBB-DM15

## Install the Motor Feedback Breakout Board

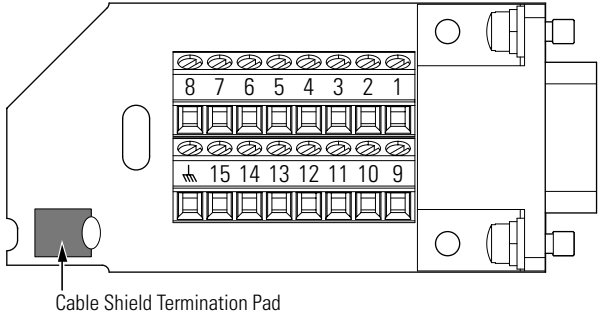


Attribute	2090-UXBB-DM15
Cable diameter	11.4 mm (0.45 in.) max
Screw terminal wire size	0.06...1.31 mm <sup>2</sup> (30...16 AWG)
Recommended wire strip length	25...51 mm (1...2 in.)
Recommended torque	
Mounting screw	0.40 N•m (3.5 lb•in)
Terminal screw	0.25 N•m (2.2 lb•in)

Refer to the Kinetix Motion Control Selection Guide, publication [GMC-SG001](#), for information about the compatibility of the breakout board with your drive.

Allen-Bradley

# Connector Data



Refer to your drive user manual for information on wiring the breakout board.

Allen-Bradley, Rockwell Automation, and Rockwell Software are trademarks of Rockwell Automation, Inc.

Trademarks not belonging to Rockwell Automation are property of their respective companies.

Rockwell Otomasyon Ticaret A.Ş., Kar Plaza İş Merkezi E Blok Kat:6 34752 İçerenköy, İstanbul, Tel: +90 (216) 5698400

[www.rockwellautomation.com](http://www.rockwellautomation.com)

---

### Power, Control and Information Solutions Headquarters

Americas: Rockwell Automation, 1201 South Second Street, Milwaukee, WI 53204 USA, Tel: (1) 414.382.2000, Fax: (1) 414.382.4444  
Europe/Middle East/Africa: Rockwell Automation, Vorstaan/Boulevard du Souverain 36, 1170 Brussels, Belgium, Tel: (32) 2 663 0600, Fax: (32) 2 663 0640  
Asia Pacific: Rockwell Automation, Level 14, Core F, Cyberport 3, 100 Cyberport Road, Hong Kong, Tel: (852) 2887 4788, Fax: (852) 2508 1846