



# Low Profile Connector Kits

**(Catalog Numbers 2090-K6CK-D15M, -D15MF, -D15F, and -D26M)**

This publication provides installation instructions for the Allen-Bradley® 2090-Series Low Profile connector kits. Use these instructions for wiring your 15-pin and 26-pin Low Profile connectors. For further Kinetix™ 6000 installation information refer to the *Kinetix 6000 Multi-Axis Servo Drive Installation Manual* (publication 2094-IN001x-EN-P).

## Low Profile Connector Specifications

Specification	Description
Current Rating	≤ 1A
Cable Diameter	4 - 10 mm (0.16 - 0.39 in.)
Recommended Torque: Mounting screw Terminal screw Clamp and Cover screws	0.4 Nm (3.5 lb-in.) 0.2 Nm (2.1 lb-in.) 0.4 Nm (3.5 lb-in.)
Screw terminals: Connection Cross Section Solid Stranded AWG	0.14-1.5 mm <sup>2</sup> 0.14-1.0 mm <sup>2</sup> 30-16
Recommended strip-off length	5 mm (0.2 in.) single conductor
Temperature Range	-40° to 70° C (-40° to 158° F)

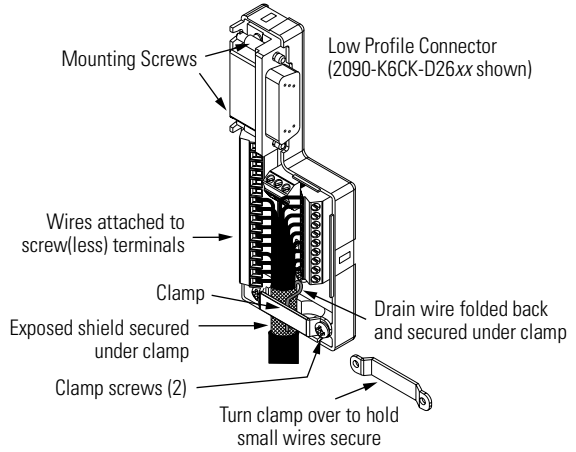
## Wiring Your Low Profile Connector Kit

Refer to figures 1 and 2 on the next page for illustrations and guidelines to assist you when wiring the 2090-Series Low Profile (15 and 26-pin) Connector Kits. Tools needed include a flatblade screwdriver (Ø 0.10" maximum), needle-nose pliers (optional), wire cutter, and wire stripper.

## Figure 1 Routing and Attaching Wires

To route and attach wires:

1. Remove clamp.
2. Route cable or wires in housing with exposed shield (if required) in line with clamp.
3. Attach wires to terminals.
4. Fold drain wire(s) back (if present) in line with clamp.
5. Secure clamp over exposed shield, drain wire(s), and/or discrete wires.



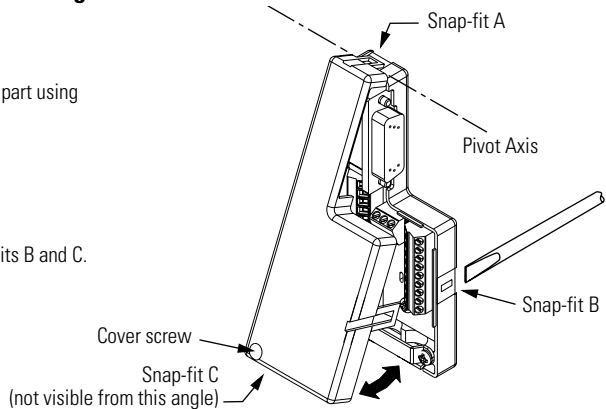
## Figure 2 Opening and Closing the Housing

To open the housing:

1. Loosen cover screw.
2. Gently pry snap-fits C and B apart using small screw driver.
3. Pivot open around snap-fit A.

To close the housing:

1. Hook snap-fit A.
2. Pivot down connecting snap-fits B and C.
3. Tighten cover screw.



For more information refer to our web site: [www.ab.com/motion](http://www.ab.com/motion)

For Allen-Bradley Technical Support information refer to: [www.ab.com/support](http://www.ab.com/support) or Tel: (1) 440.646.5800

Allen-Bradley is a registered trademark of Rockwell Automation.  
Kinetix is a trademark of Rockwell Automation.

[www.rockwellautomation.com](http://www.rockwellautomation.com)

### Corporate Headquarters

Rockwell Automation, 777 East Wisconsin Avenue, Suite 1400, Milwaukee, WI, 53202-5302 USA, Tel: (1) 414.212.5200, Fax: (1) 414.212.5201

### Headquarters for Allen-Bradley Products, Rockwell Software Products and Global Manufacturing Solutions

Americas: Rockwell Automation, 1201 South Second Street, Milwaukee, WI 53204-2496 USA, Tel: (1) 414.382.2000, Fax: (1) 414.382.4444

### Headquarters for Dodge and Reliance Electric Products

Americas: Rockwell Automation, 6040 Ponders Court, Greenville, SC 29615-4617 USA, Tel: (1) 864.297.4800, Fax: (1) 864.281.2433

Publication 2094-IN007B-EN-P — September 2002

Supersedes Publication 2094-IN007A-EN-P — June 2002

313757-P02

Copyright © 2002 Rockwell Automation. All rights reserved. Printed in USA.