

Kinetix 6000 Slot-filler Module

Catalog Number 2094-PRF

Topic	Page
About the Kinetix 6000 Slot-filler Module	1
Install the Kinetix 6000 Slot-filler Module	2

About the Kinetix 6000 Slot-filler Module

The Bulletin 2094 slot-filler module provides continuity for power and control signals from the integrated axis (IAM) module to adjacent axis (AM) and shunt modules in the event that one or more power rail slots are not occupied by an AM or shunt module.

The Bulletin 2094 slot-filler module is compatible with all Kinetix 6000 230V and 460V drive systems.

SHOCK HAZARD



To avoid personal injury due to electrical shock, place a 2094-PRF slot-filler module in any empty slot on the power rail.

Empty slots (any power rail connector without a module) cause an error and disable the IAM module, even though control power is still present.

Refer to the Kinetix 6000 Multi-axis Servo Drive User Manual, publication [2094-UM001](#), for important user information, safety guidelines, and detailed information on wiring, applying power, troubleshooting, and integration with ControlLogix, CompactLogix, or SoftLogix controller platforms.

Install the Kinetix 6000 Slot-filler Module

This procedure assumes you have prepared your panel, mounted your Bulletin 2094 power rail, and understand how to bond your system. For installation instructions regarding equipment and accessories not included here, refer to the instructions that came with those products.

ATTENTION



Plan the installation of your system so that you can perform all cutting, drilling, tapping, and welding with the system removed from the enclosure. Because the system is of the open type construction, be careful to keep any metal debris from falling into it. Metal debris or other foreign matter can become lodged in the circuitry, which can result in damage to components.

Connector pins on the Bulletin 2094 power rail are covered with a protective boot. To avoid damage to the power rail during installation, do not remove the protective boot until you are ready to mount your slot-filler module.

Follow these steps to install your 2094-PRF slot-filler module.

TIP

All modules mount to the power rail using the same technique, however, the IAM module is shown in this example.

1. Remove the protective boot from the power rail connector.

IMPORTANT

The slot-filler module must be positioned to the right of the IAM, AM, and shunt modules.

2. Remove the label (applied to back and side of module) covering the pins that mate with the power rail.

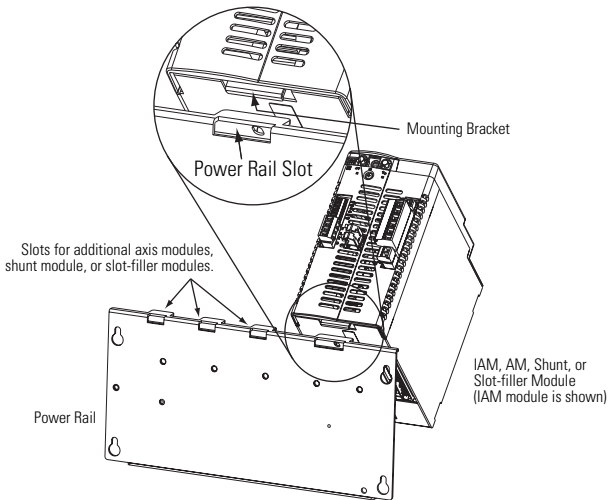
ATTENTION



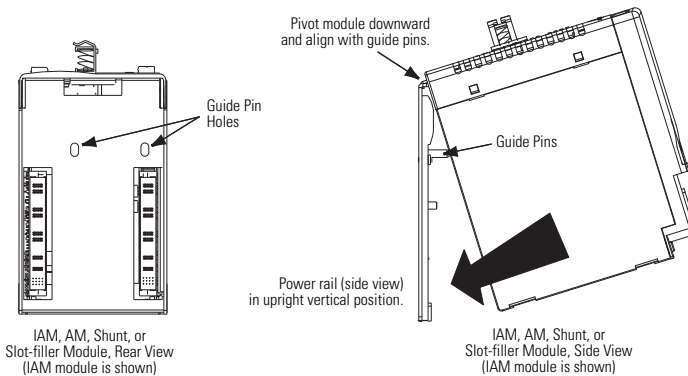
To avoid damage to the pins located on the back of the shunt module and to make sure that module pins mate properly with the power rail, hang modules as shown in steps 3...6.

The power rail must be mounted vertically on the panel before hanging modules on the power rail. Do not mount modules if the power rail is horizontal.

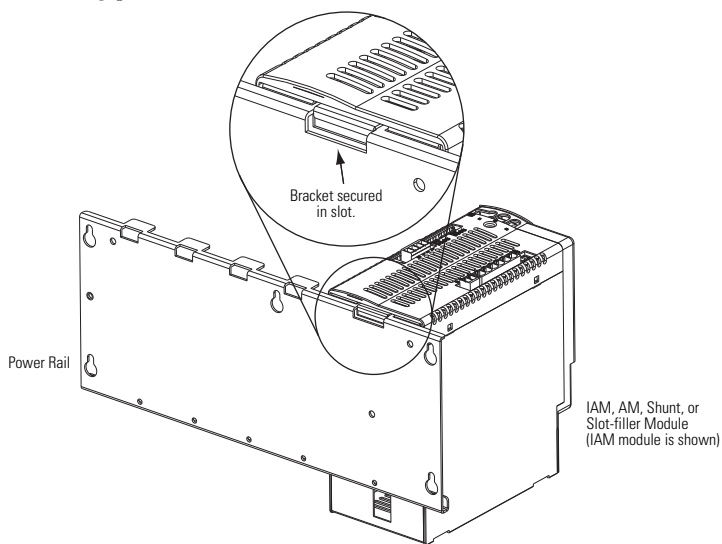
3. Hang the mounting bracket from the slot on the power rail.



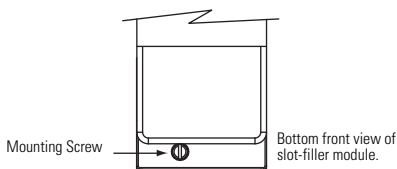
4. Pivot module downward and align the guide pins on the power rail with the guide pin holes in the back of the module.



5. Gently push the module against the power rail connectors and into the final mounting position.



6. Use 2.26 N•m (20 lb•in) torque to tighten the mounting screw.



7. Repeat steps 1...6 to install a slot-filler module in each empty slot on the power rail.

Allen-Bradley, CompactLogix, ControlLogix, Kinetix, Rockwell Automation, SoftLogix, and TechConnect are trademarks of Rockwell Automation, Inc.

Trademarks not belonging to Rockwell Automation are property of their respective companies.

www.rockwellautomation.com

Power, Control and Information Solutions Headquarters

Americas: Rockwell Automation, 1201 South Second Street, Milwaukee, WI 53204-2496 USA, Tel: (1) 414.382.2000, Fax: (1) 414.382.4444

Europe/Middle East/Africa: Rockwell Automation, Vorstlaan/Boulevard du Souverain 36, 1170 Brussels, Belgium, Tel: (32) 2 663 0600, Fax: (32) 2 663 0640

Asia Pacific: Rockwell Automation, Level 14, Core F, Cyberport 3, 100 Cyberport Road, Hong Kong, Tel: (852) 2887 4788, Fax: (852) 2508 1846

Publication 2094-IN006B-EN-P — June 2008

PN 313892-P02

Supersedes Publication 2094-IN006A-EN-P — April 2002

Copyright © 2008 Rockwell Automation, Inc. All rights reserved. Printed in the U.S.A.