



## Control Assembly Cover for PowerFlex 700S Drive



**ATTENTION:** To avoid an electric shock hazard, verify that the voltage on the bus capacitors has discharged before performing any work on the drive. Measure the DC bus voltage at the +DC & -DC terminals of the Power Terminal Block. The voltage must be zero.



**ATTENTION:** HOT surfaces can cause severe burns. **Do not** touch the heatsink surface during operation of the drive. After disconnecting power allow time for cooling.



**ATTENTION:** This drive contains **ESD** (Electrostatic Discharge) sensitive parts and assemblies. Static control precautions are required when installing, testing, servicing or repairing this assembly. Component damage may result if ESD control procedures are not followed. If you are not familiar with static control procedures, reference A-B publication 8000-4.5.2, “Guarding Against Electrostatic Damage” or any other applicable ESD protection handbook.

### What This Kit Contains

Verify that your kit contains the items listed in the following table. If your kit does not contain the correct items, contact your Allen-Bradley sales representative.

Quantity:	Description
1	Control Assembly Cover
1	Overlay for Drive Without DriveLogix Controller
1	Overlay for DriveLogix Controller With ControlNet Communications Daughtercard
1	Overlay for DriveLogix Controller With DeviceNet Communications Daughtercard
1	Overlay for DriveLogix Controller With Ethernet Communications Daughtercard
1	Captive Fastener

### What You Need to Do

To configure the control assembly cover for a PowerFlex 700S drive:

- Step 1: Remove the old cover
- Step 2: Select the correct overlay
- Step 3: Peel the backing from the overlay
- Step 4: Press the overlay onto the cover
- Step 5: Insert the captive fastener to the bottom of the cover
- Step 6: Installing the Front Cover

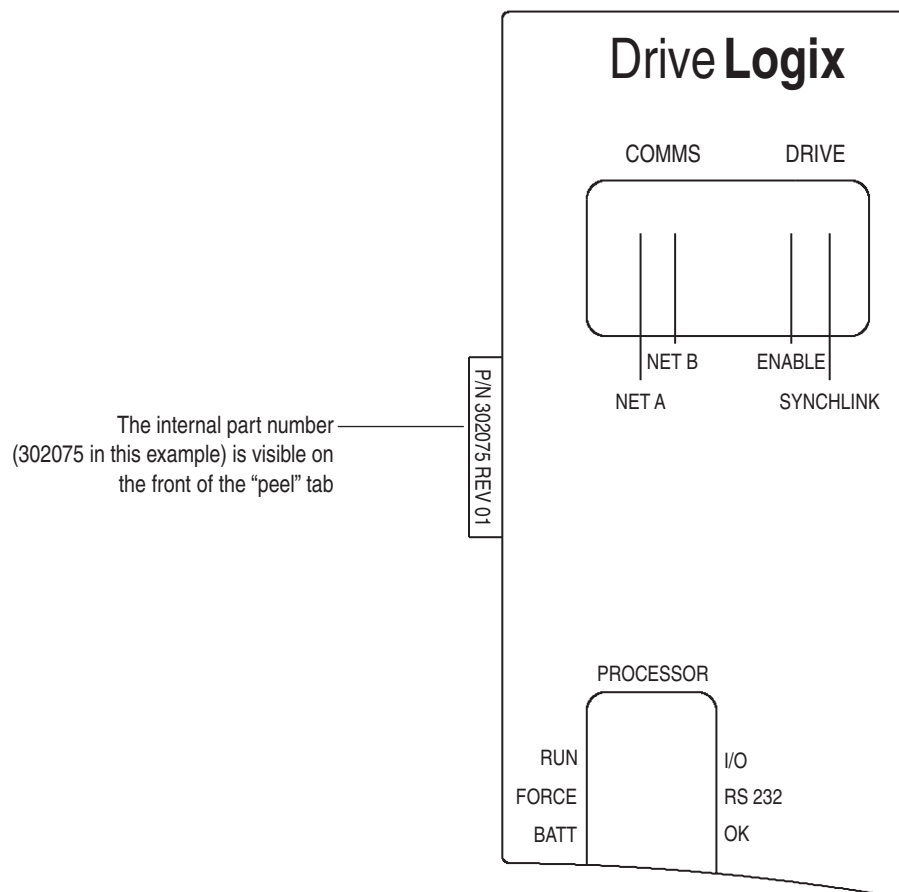
### Step 1: Removing the Old Front Cover

Task	Description
Ⓐ	Loosen captive screw
Ⓑ	Push down on cover
Ⓒ	Pull cover away from assembly



## Step 2: Selecting the Overlay

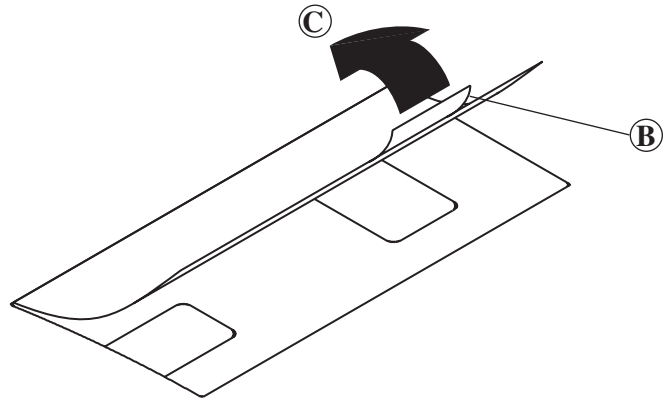
If the drive has...	use overlay part number...
No DriveLogix controller	302074
A DriveLogix controller without any NetLinx communications daughtercard	302075
A DriveLogix controller with a ControlNet communications daughtercard	302075
A DriveLogix controller with a DeviceNet communications daughtercard	302076
A DriveLogix controller with an Ethernet communications daughtercard	316238



# Allen-Bradley Replacements

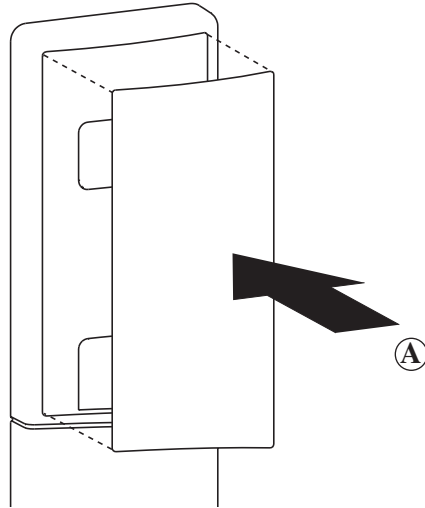
### Step 3: Preparing the Overlay

Task	Description
Ⓐ	Turn the overlay over
Ⓑ	Grasp the “peel tab”
Ⓒ	Remove the adhesive backing



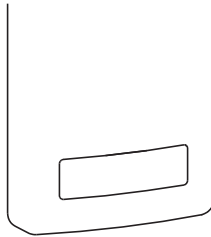
## Step 4: Installing the Overlay

Task	Description
Ⓐ	Align overlay with depression in cover
Ⓑ	Press the overlay onto the cover



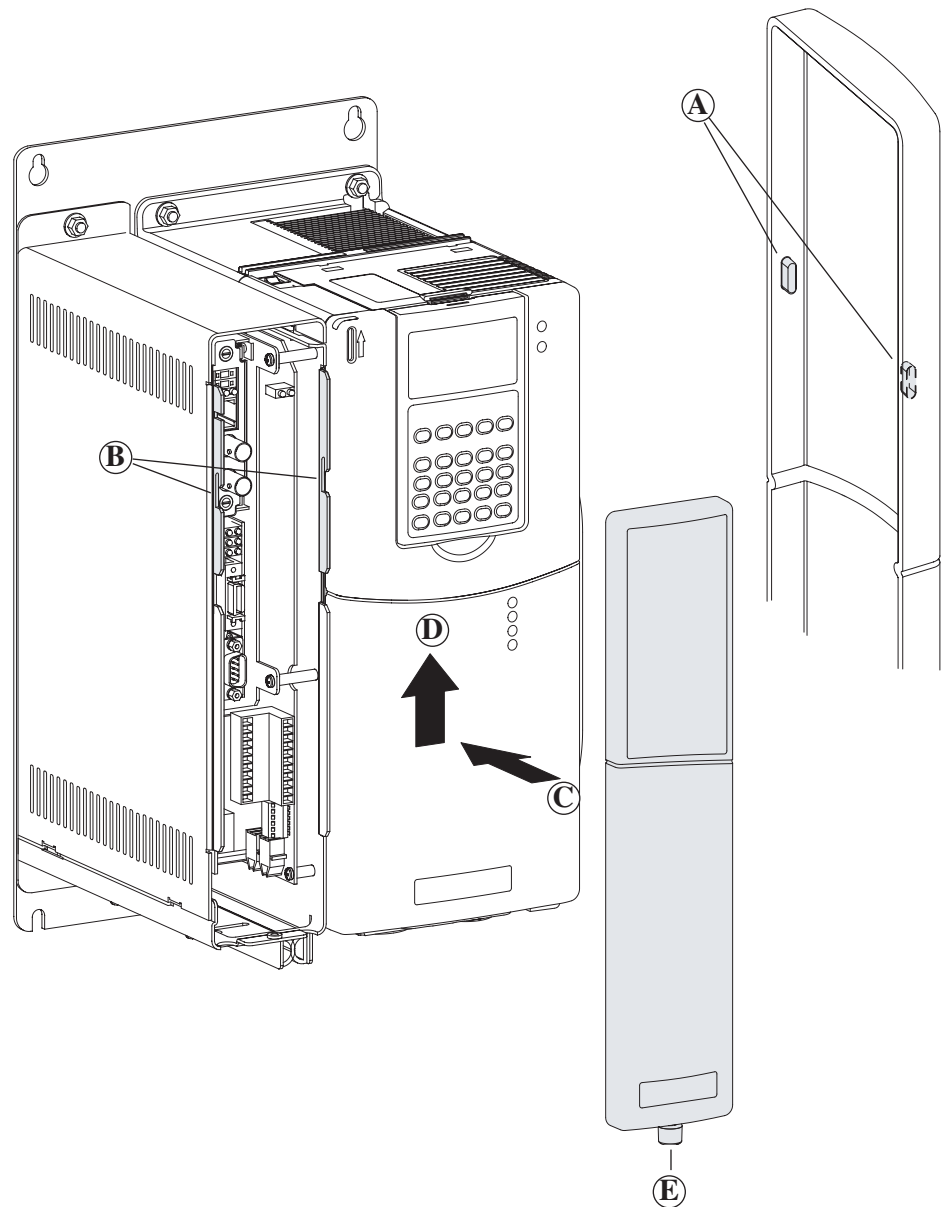
### Step 5: Inserting the Captive Fastener

Task	Description
Ⓐ	Insert the captive fastener into the hole in the bottom of the cover, and push until it snaps into place



## Step 6: Installing the New Front Cover

Task	Description
<b>A</b>	Locate tabs on inside of cover
<b>B</b>	Align tabs with slots on flanges
<b>C</b>	Push cover onto drive
<b>D</b>	Push cover up into slots
<b>E</b>	Tighten captive screw



# Allen-Bradley Replacements

[www.rockwellautomation.com](http://www.rockwellautomation.com)

**Corporate Headquarters**

Rockwell Automation, 777 East Wisconsin Avenue, Suite 1400, Milwaukee, WI, 53202-5302 USA, Tel: (1) 414.212.5200, Fax: (1) 414.212.5201

**Headquarters for Allen-Bradley Products, Rockwell Software Products and Global Manufacturing Solutions**

Americas: Rockwell Automation, 1201 South Second Street, Milwaukee, WI 53204-2496 USA, Tel: (1) 414.382.2000, Fax: (1) 414.382.4444

Europe/Middle East/Africa: Rockwell Automation SA/NV, Vorstlaan/Boulevard du Souverain 36, 1170 Brussels, Belgium, Tel: (32) 2 663 0600, Fax: (32) 2 663 0640

Asia Pacific: Rockwell Automation, 27/F Citicorp Centre, 18 Whitfield Road, Causeway Bay, Hong Kong, Tel: (852) 2887 4788, Fax: (852) 2508 1846

**Headquarters for Dodge and Reliance Electric Products**

Americas: Rockwell Automation, 6040 Ponders Court, Greenville, SC 29615-4617 USA, Tel: (1) 864.297.4800, Fax: (1) 864.281.2433

Europe/Middle East/Africa: Rockwell Automation, Brühlstraße 22, D-74834 Elztal-Dallau, Germany, Tel: (49) 6261 9410, Fax: (49) 6261 17741

Asia Pacific: Rockwell Automation, 55 Newton Road, #11-01/02 Revenue House, Singapore 307987, Tel: (65) 6356-9077, Fax: (65) 6356-9011

**U.S. Allen-Bradley Drives Technical Support**

Tel: (1) 262.512.8176, Fax: (1) 262.512.2222, Email: [support@drives.ra.rockwell.com](mailto:support@drives.ra.rockwell.com), Online: [www.ab.com/support/abdrives](http://www.ab.com/support/abdrives)

**U.S. Reliance Drives Technical Support**

Tel: (1) 800.726.8112, Online: [www.reliance.com/prodserv/standriv/customer](http://www.reliance.com/prodserv/standriv/customer)