



PowerFlex 70 Frame B Power Board Revision

Reference

PowerFlex 70 *User Manual*, Publication 20A-UM001... supplied with the drive.
PowerFlex 70 Frame B Drives.

Common Mode Capacitor Jumper JP6 – JP5 Repositioned

Common Mode Capacitor Jumper JP6 – JP5 has been repositioned on PowerFlex 70 Frame B drives to improve accessibility. The new jumper position is illustrated below.

Important information on disconnecting MOVs and Common Mode Capacitors is provided.

Cooling Fan Operation Changed

Cooling fans operate when drive is in run mode.

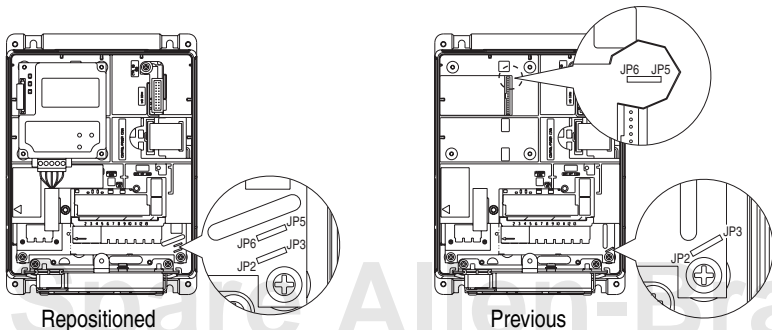
Disconnecting MOVs and Common Mode Capacitors

PowerFlex 70 drives contain protective MOVs and common mode capacitors that are referenced to ground. To guard against drive damage, these devices must be disconnected if the drive is installed on an ungrounded, high-resistance or B phase grounded distribution system where the line-to-ground voltages on any phase could exceed 125% of the nominal line-to-line voltage. To disconnect these devices, remove the jumper(s) listed under Phase to Ground MOV Removal. Jumpers can be removed by carefully pulling the jumper straight out. See *Wiring and Grounding Guidelines for PWM AC Drives*, publication DRIVES-IN001 for more information on ungrounded systems.



ATTENTION: To avoid an electric shock hazard, verify that the voltage on the bus capacitors has discharged before removing/installing jumpers. Measure the DC bus voltage at the +DC terminal of the Power Terminal Block and the -DC test point JP4. The voltage must be zero.

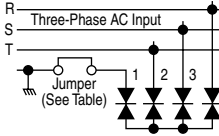
Frame B Jumper Locations





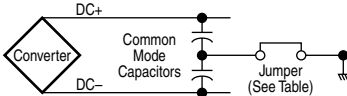
ATTENTION: When installing a drive on an ungrounded, high-resistance or B phase grounded distribution system, disconnect the phase-to-ground MOV circuit and the common mode capacitors from ground.

Phase to Ground MOV Removal



Frame	Jumper	Removes
A, B, C and D	JP3 – JP2	MOV to Ground
E	JP2 – JP1	MOV and Line to Line Capacitors to Ground

Common Mode Capacitors to Ground Removal



Frame	Jumper	Removes
A	N/A	
B	JP6 – JP5	Common Mode Capacitors to Ground
C and D	JP3B – JP3A	Common Mode Capacitors to Ground
E	JP3 – JP4	Common Mode Capacitors to Ground

Change to Cooling Fan Operation

On newer Frame B drives, with the revised power board, the cooling fans operate only when the drive is in run mode. Cooling fans on previous PowerFlex 70 Frame B drives operate as soon as power is applied to the drive.

www.rockwellautomation.com

Power, Control and Information Solutions Headquarters

Americas: Rockwell Automation, 1201 South Second Street, Milwaukee, WI 53204-2496 USA, Tel: (1) 414.382.2000, Fax: (1) 414.382.4444
 Europe/Middle East/Africa: Rockwell Automation, Vorstlaan/Boulevard du Souverain 36, 1170 Brussels, Belgium, Tel: (32) 2 663 0600, Fax: (32) 2 663 0640
 Asia Pacific: Rockwell Automation, Level 14, Core F, Cyberport 3, 100 Cyberport Road, Hong Kong, Tel: (852) 2887 4788, Fax: (852) 2508 1846

Publication 20A-DU006B-EN-P – February 2007

Supersedes December 2006

Copyright © 2007 Rockwell Automation, Inc. All rights reserved. Printed in USA.