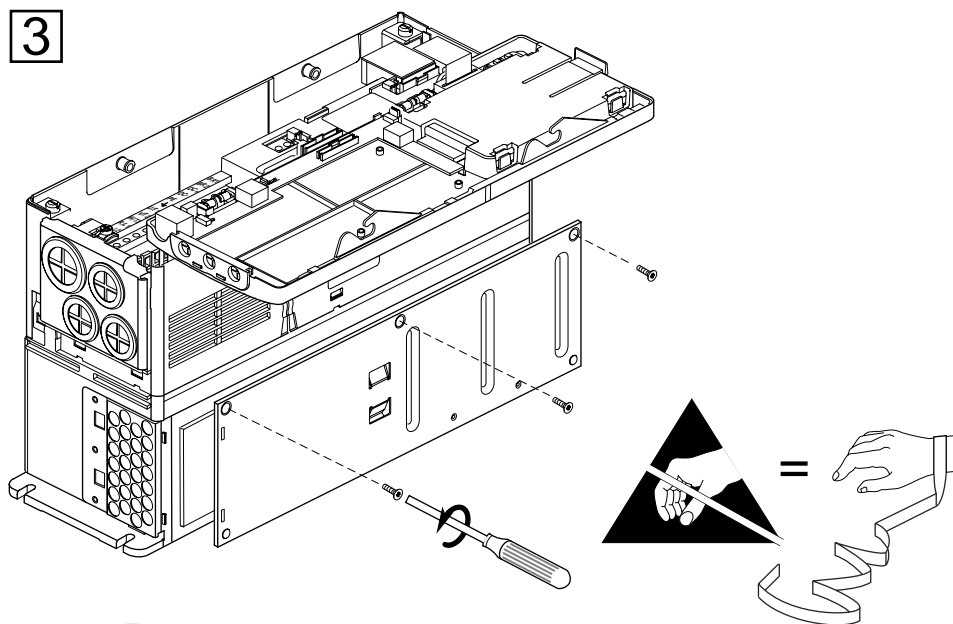
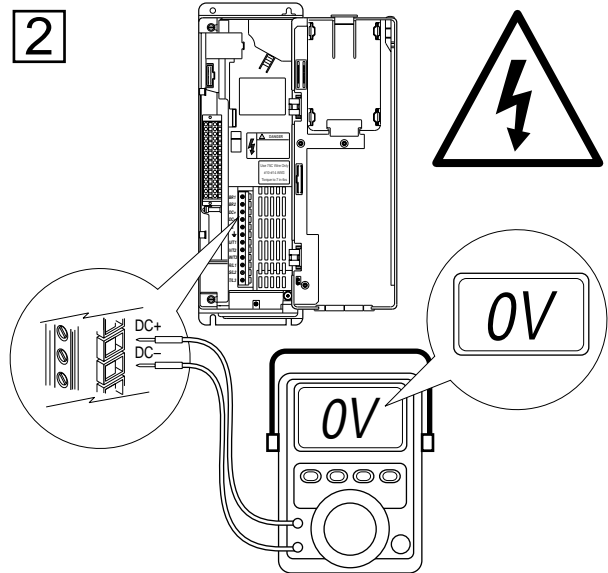
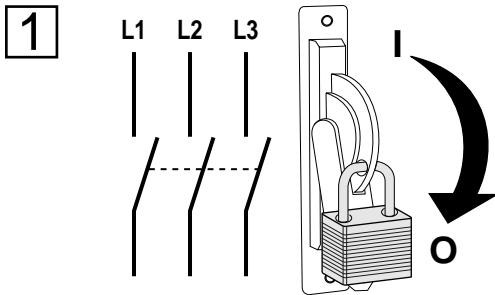




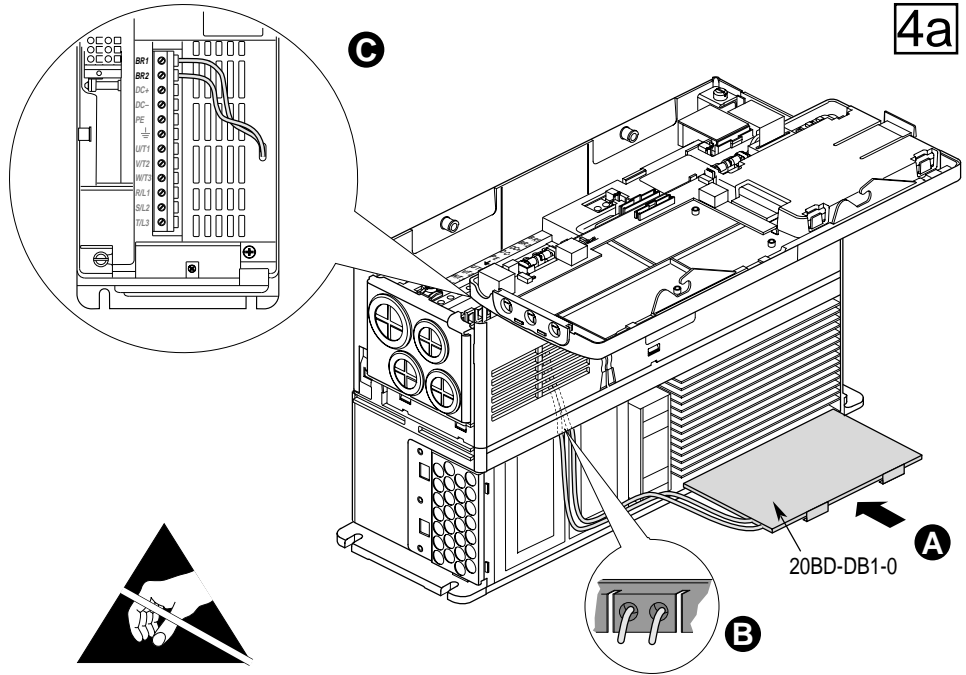
Installation Instructions
Installationsanleitung
Notice d'installation
Installazione
Instalación
Instruccies
Instalação

PowerFlex 700 Internal Dynamic Brake Kits
Interne Bremswiderstände für PowerFlex 700
Kits de Freinage Dynamique Interne pour PowerFlex 700
Kit Interno per Frenatura Dinamica PowerFlex 700
Accesorio para Freno Dinámico Interno
PowerFlex 700 Interne Dynamische-remsets
Kits de Frenagem Dinâmica Interna do PowerFlex 700

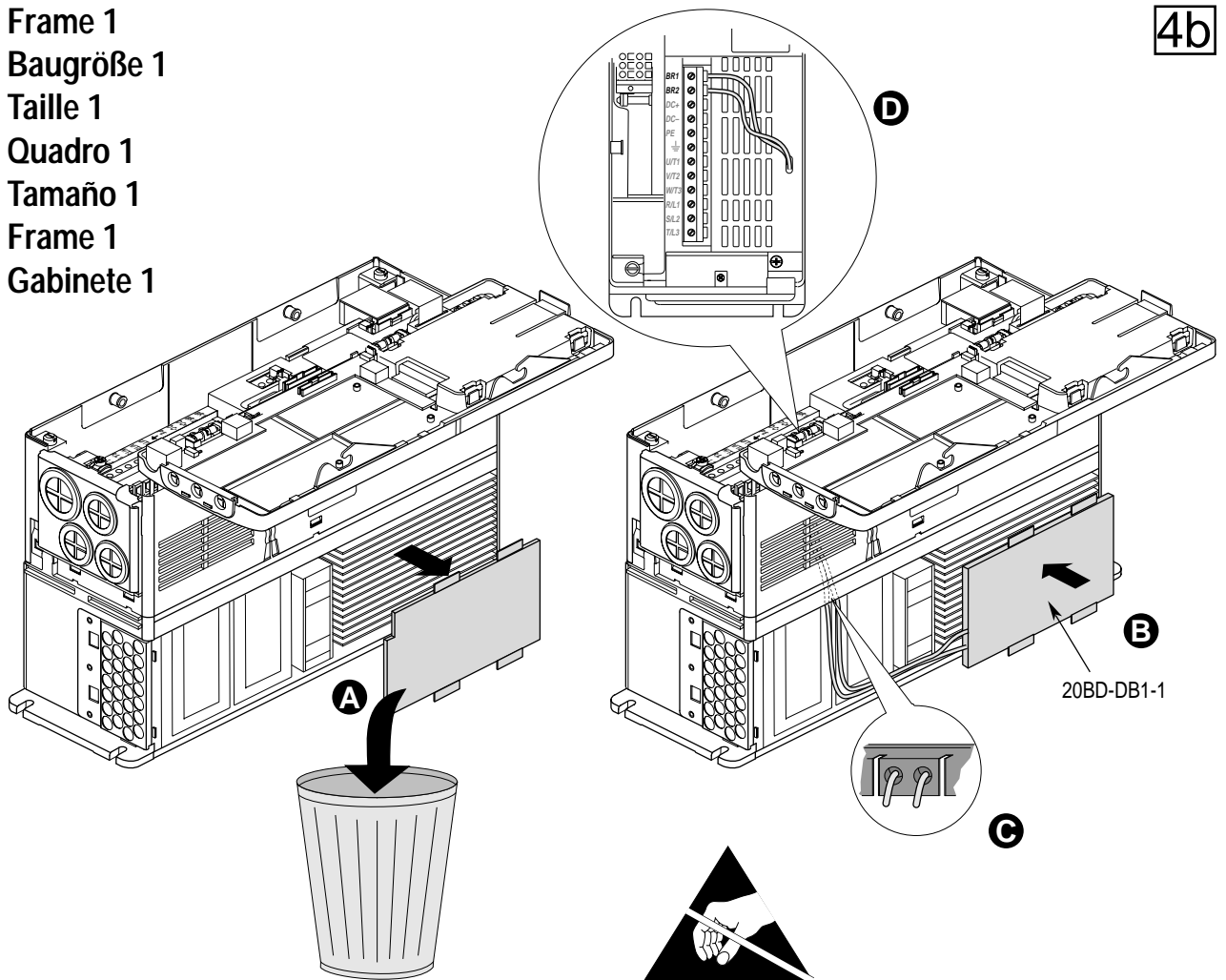


AB Spares

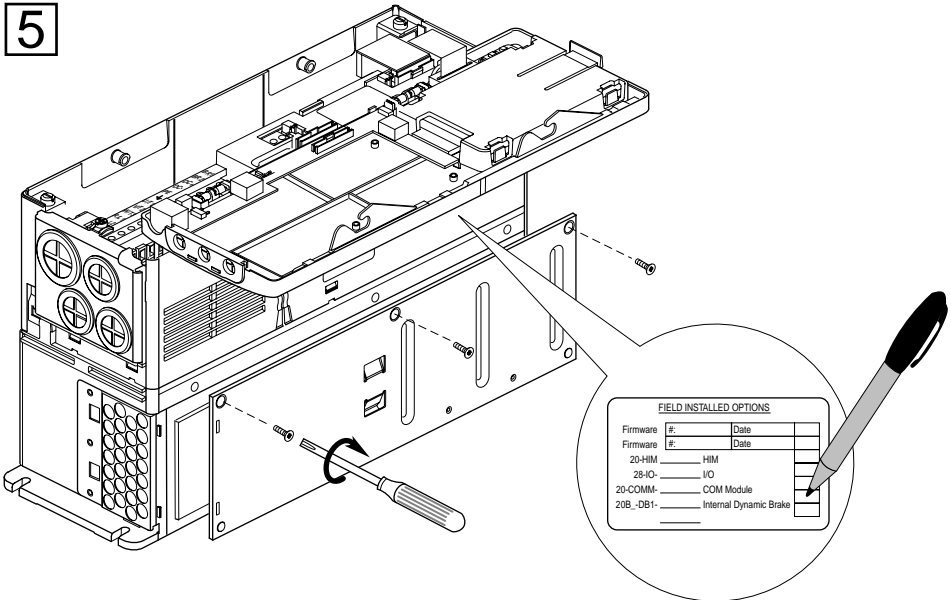
Frame 0
Baugröße 0
Taille 0
Quadro 0
Tamaño 0
Frame 0
Gabinete 0



Frame 1
Baugröße 1
Taille 1
Quadro 1
Tamaño 1
Frame 1
Gabinete 1



5



AB Spares



www.rockwellautomation.com



Corporate Headquarters

Rockwell Automation, 777 East Wisconsin Avenue, Suite 1400, Milwaukee, WI, 53202-5302 USA, Tel: (1) 414.212.5200, Fax: (1) 414.212.5201

Headquarters for Allen-Bradley Products, Rockwell Software Products and Global Manufacturing Solutions

Americas: Rockwell Automation, 1201 South Second Street, Milwaukee, WI 53204-2496 USA, Tel: (1) 414.382.2000, Fax: (1) 414.382.4444

Europe: Rockwell Automation SA/NV, Vorstlaan/Boulevard du Souverain 36-BP 3A/B, 1170 Brussels, Belgium, Tel: (32) 2 663 0600, Fax: (32) 2 663 0640

Asia Pacific: Rockwell Automation, 27/F Citicorp Centre, 18 Whitfield Road, Causeway Bay, Hong Kong, Tel: (852) 2887 4788, Fax: (852) 2508 1846

Headquarters for Dodge and Reliance Electric Products

Americas: Rockwell Automation, 6040 Ponders Court, Greenville, SC 29615-4617 USA, Tel: (1) 864.297.4800, Fax: (1) 864.281.2433

Europe: Rockwell Automation, Brühlstraße 22, D-74834 Elztal-Dallau, Germany, Tel: (49) 6261 9410, Fax: (49) 6261 17741

Asia Pacific: Rockwell Automation, 55 Newton Road, #11-01/02 Revenue House, Singapore 307987, Tel: (65) 351 6723, Fax: (65) 355 1733

U.S. Allen-Bradley Drives Technical Support

Tel: (1) 262.512.8176, Fax: (1) 262.512.2222, Email: support@drives.ra.rockwell.com, Online: www.ab.com/support/abdrives