



PowerFlex Remote HIM
Dezentrale Bedieneinheit (HIM) für PowerFlex
HIM décentralisée
Tastiera per montaggio a fronte quadro
Programador remoto
HIM op afstand
HIM remota

Installation Instructions
Installationsanleitung
Installation
Installazione
Instalación
Instructies
Instalação



20-HIM-C3



20-HIM-C5

IP66 (NEMA Type 4X/12)

Indoor / Innenraum / Usage Intérieur / Interno / Interior / Indoor / Interno

Important: Adhesive coated gasket designed for one time installation.

Wichtig: Dichtung ist nur für den einmaligen Einbau anwendbar.

Important : Joint adhésif à usage unique.

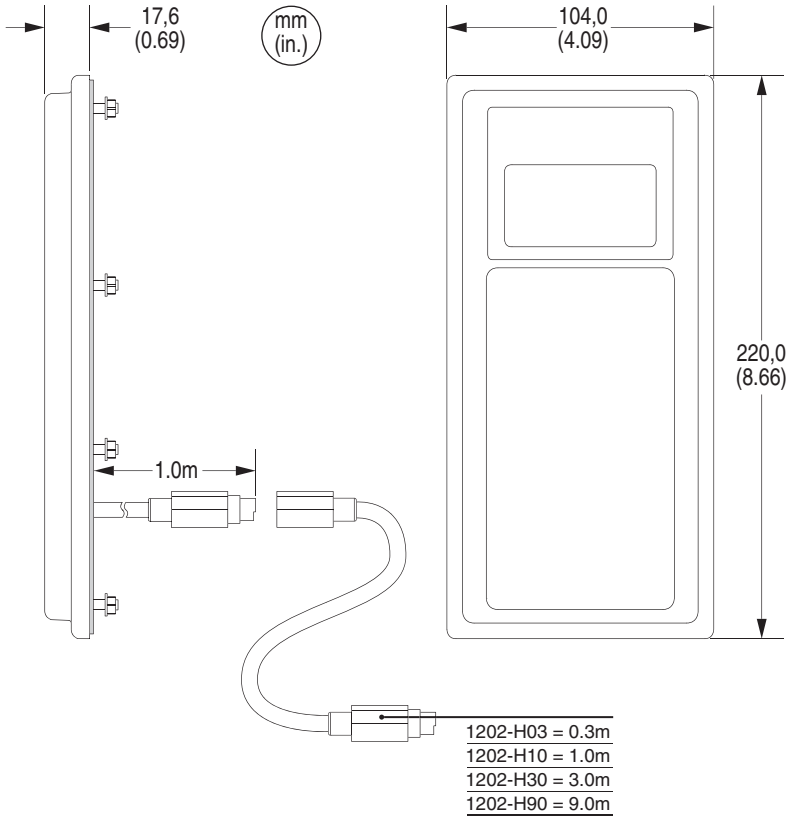
Importante: Guarnizione adesiva valida per una sola installazione. Smontando e rimontando la stessa non sarà piu' garantita la protezione IP66.

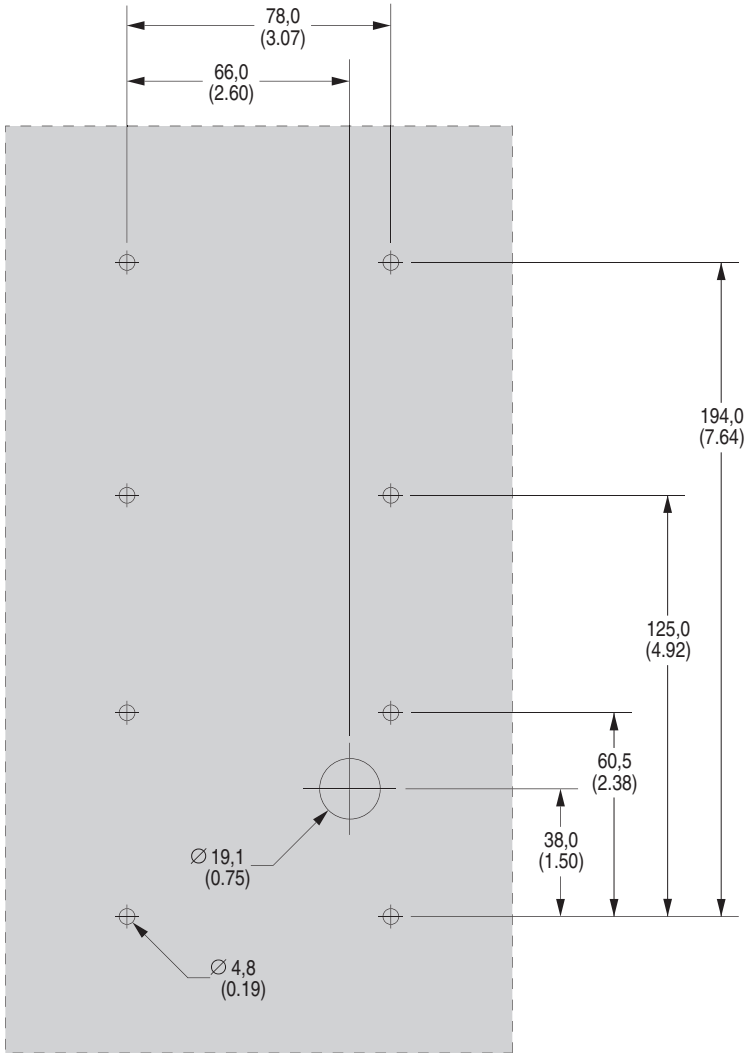
ATENCIÓN: Junta con capa adhesiva diseñada para solo una fijación—no reutilizable.

Belangrijk: De zelfklevende dichtingsring is voor éénmalig gebruik.

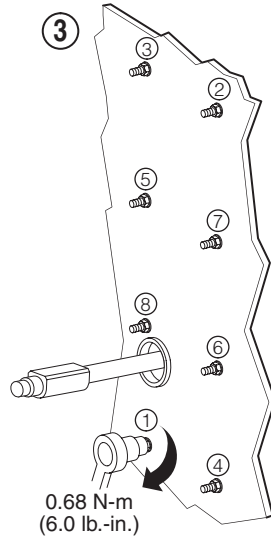
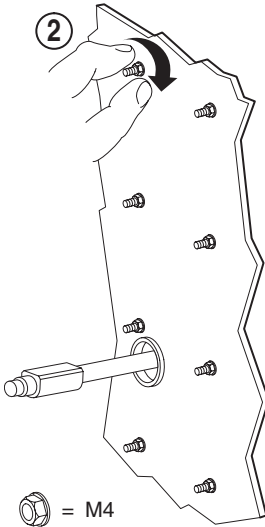
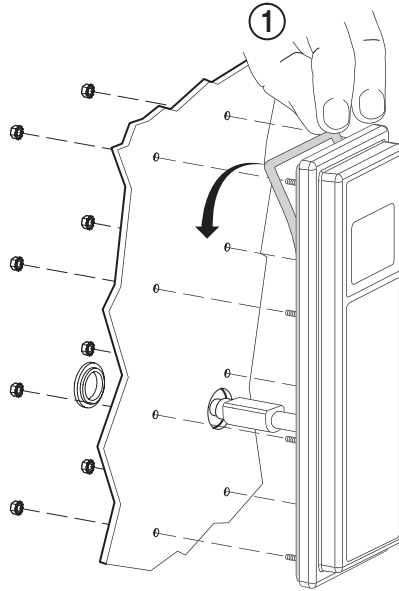
Importante: Vedação adesiva foi projetada para ser instalada uma vez.

Dimensions
Abmessungen
Dimensions
Dimensioni
Dimensiones
Afmetingen
Dimensões





Mount
 Montage
 Montage
 Montaggio
 Montado
 Montage
 Montagem



To contact Drives Technical Support . . .
 Tel: (1) 262 512-8176, Fax: (1) 262 512-2222
 Email: support@drives.ra.rockwell.com
 Online: www.ab.com/support/abdrives



**Rockwell
 Automation**

Publication 20HIM-IN001A-MU-P – July 2002
 Supersedes PFLEX-IN001A-MU-P

307781-P02

Copyright © 2002 Rockwell Automation, Inc. All rights reserved. Printed in USA.