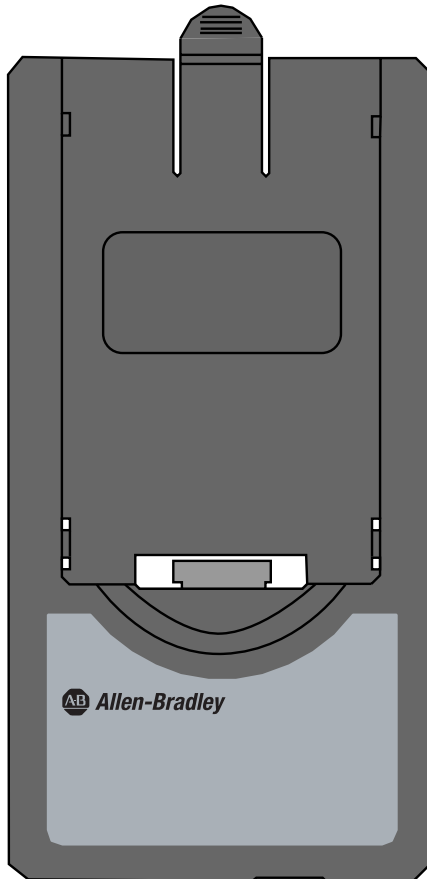




**Installation Instructions**  
**Installationsanleitung**  
**Notice d'installation**

**PowerFlex 7-Class HIM Bezel (DPI)**  
**Blende der Bedieneinheit (DPI) für PowerFlex der Serie 7**  
**Boîtier HIM (DPI) PowerFlex 7-Class**  
**Mascherina PowerFlex per modulo interfaccia operatore**  
**PowerFlex – Classe 7 (DPI)**  
**Visera (HIM) PowerFlex Classe 7 (DPI)**  
**PowerFlex 7 - klasse HIM bezel (DPI)**  
**Encaixe (DPI) para HIM do PowerFlex classe 7**

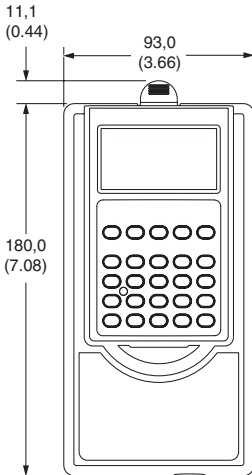
**Installazione**  
**Instalación**  
**Instructies**  
**Instalação**



20-HIM-B1

**IP20 (NEMA Type 1)**

**Dimensions**  
**Abmessungen**  
**Dimensions**  
**Dimensioni**  
**Dimensiones**  
**Afmetingen**  
**Dimensões**

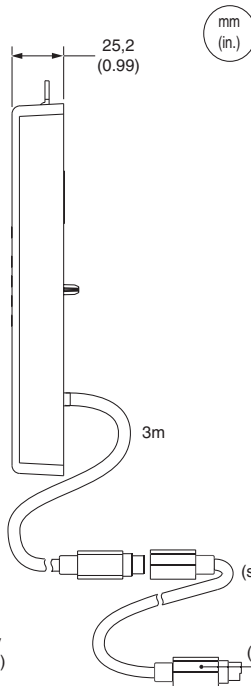


For use with LCD HIM only  
(supplied separately)  
Nur zum Gebrauch mit LCD-  
Bedieneinheiten (separat erhältlich)  
Utilisable seulement avec la HIM LCD  
(fournie séparément)

Da usare esclusivamente con il  
modulo interfaccia operatore con display  
a cristalli liquidi (venduto separatamente)  
Únicamente para el uso con la interface  
HIM de LCD (se suministra por separado)

Alleen voor gebruik met LCD HIM  
(wordt apart geleverd)

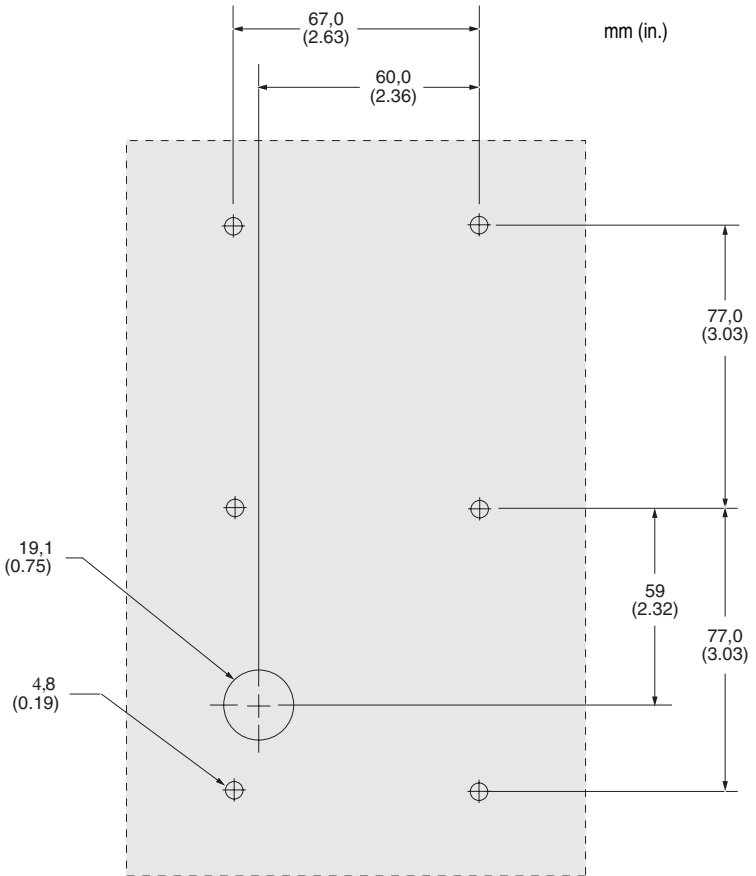
Para utilização somente com a HIM de LCD  
(fornecido separadamente)



mm  
(in.)

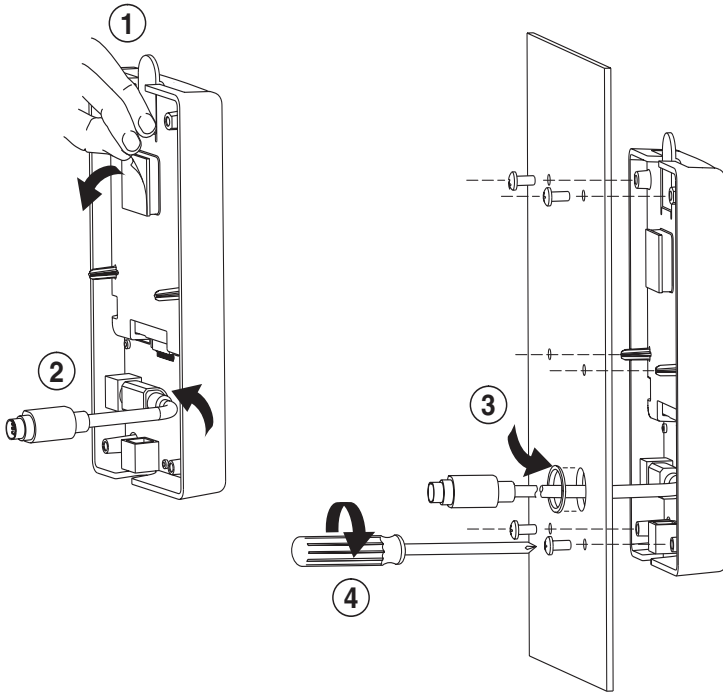
Extension Cable  
( supplied separately)  
Verlängerungskabel  
(separat erhältlich)  
Câble d'extension  
(fourni séparément)  
Prolunga  
(venduto separatamente)  
Cable Prolongador  
(se suministra por separado)  
Verlengkabel  
(wordt apart geleverd)  
Cabo de extensão  
(fornecido separadamente)

1202-H03 = 0.3m  
1202-H10 = 1.0m  
1202-H30 = 3.0m  
1202-H90 = 9.0m



Front View  
Frontansicht  
Vue Frontale  
Vista anteriore  
Vista Frontal  
Vooraanzicht  
Vista anterior

**Mount  
Montage  
Montage  
Montaggio  
Montado  
Montage  
Montagem**



[www.rockwellautomation.com](http://www.rockwellautomation.com)

**Power, Control and Information Solutions Headquarters**

Americas: Rockwell Automation, 1201 South Second Street, Milwaukee, WI 53204-2496 USA, Tel: (1) 414.382.2000, Fax: (1) 414.382.4444  
Europe/Middle East/Africa: Rockwell Automation, Vorstlaan/Boulevard du Souverain 36, 1170 Brussels, Belgium, Tel: (32) 2 663 0600, Fax: (32) 2 663 0640  
Asia Pacific: Rockwell Automation, Level 14, Core F, Cyberport 3, 100 Cyberport Road, Hong Kong, Tel: (852) 2887 4788, Fax: (852) 2508 1846