



**PowerFlex[®] 7-Class Enhanced Remote HIM
IP66 (NEMA Type 4X/12) Indoor**

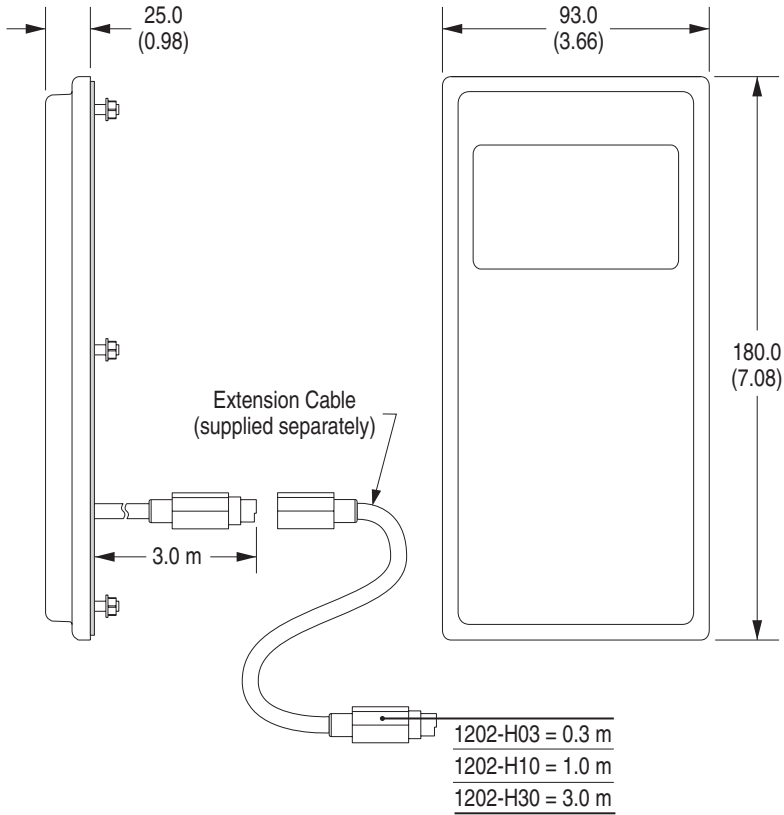
20-HIM-C6S



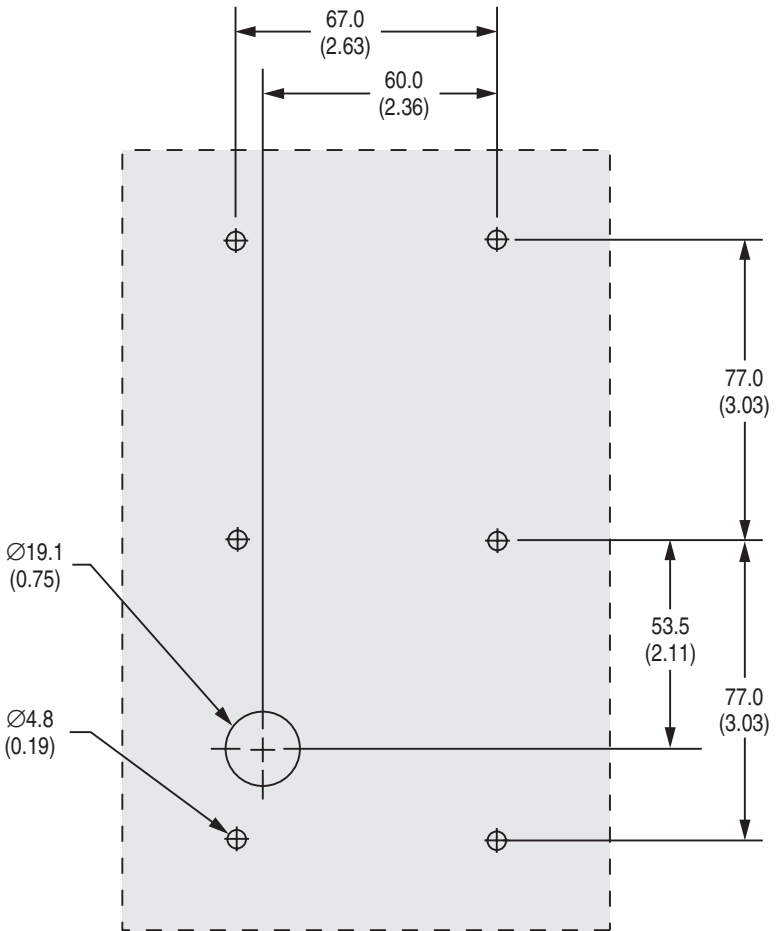
For operational information about the HIM, refer to Literature Library at www.literature.rockwellautomation.com and search by HIM catalog number.

Dimensions

Dimensions are in millimeters and (inches).



Dimensions are in millimeters and (inches).



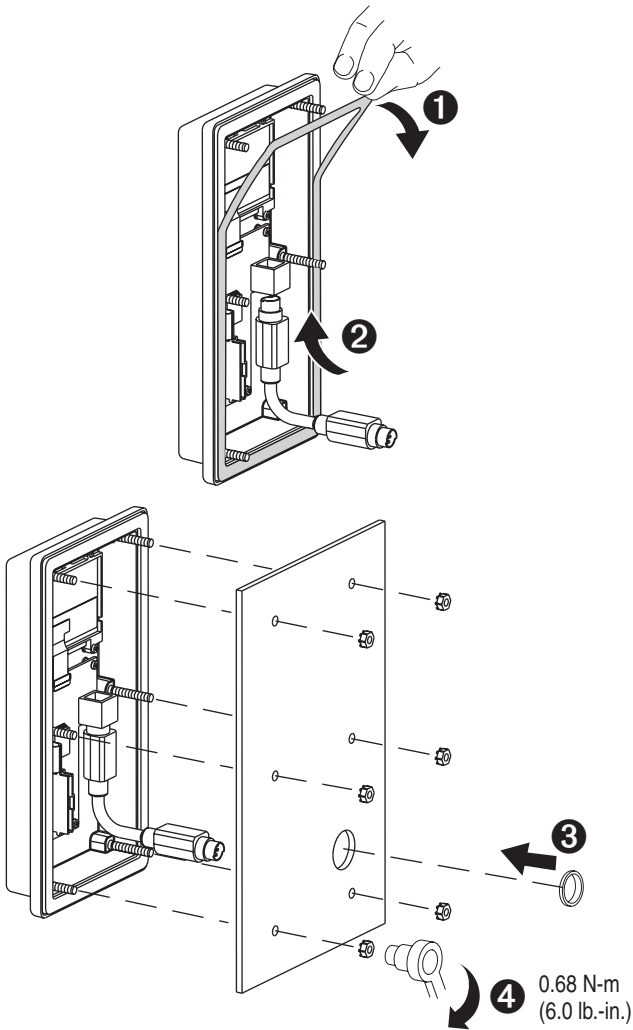
Front View

A conversion template (p/n 336745-C01), provided with the 20-HIM-C6S HIM, includes a drilling pattern and mounting instructions to assist HIM installation.

AB Spares

Mount

Important: Adhesive coated gasket is designed for one-time only installation.



U.S. Allen-Bradley Drives Technical Support
Tel: (1) 262.512.8176, Fax: (1) 262.512.2222, Email: support@drives.ra.rockwell.com, Online: www.ab.com/support/abdrives

www.rockwellautomation.com

Power, Control and Information Solutions Headquarters

Americas: Rockwell Automation, 1201 South Second Street, Milwaukee, WI 53204-2496 USA, Tel: (1) 414.382.2000, Fax: (1) 414.382.4444
Europe/Middle East/Africa: Rockwell Automation, Vorstlaan/Boulevard du Souverain 36, 1170 Brussels, Belgium, Tel: (32) 2 663 0600, Fax: (32) 2 663 0640
Asia Pacific: Rockwell Automation, Level 14, Core F, Cyberport 3, 100 Cyberport Road, Hong Kong, Tel: (852) 2887 4788, Fax: (852) 2508 1846