



# PowerFlex<sup>®</sup> DC Drive - Cooling Fan for Frame A Drives Rated 73A and Higher with 230V and 460V AC Input



---

**ATTENTION:** Only qualified personnel familiar with DC drives and associated machinery should plan or implement the installation, start-up and subsequent maintenance of the system. Failure to comply may result in personal injury and/or equipment damage.



**ATTENTION:** To avoid an electric shock hazard, ensure that all power to the drive has been removed before performing the following.



**ATTENTION:** This drive contains **ESD** (Electrostatic Discharge) sensitive parts and assemblies. Static control precautions are required when installing, testing, servicing or repairing this assembly. Component damage may result if ESD control procedures are not followed. If you are not familiar with static control procedures, reference A-B publication 8000-4.5.2, “Guarding Against Electrostatic Damage” or any other applicable ESD protection handbook.

---

### What This Kit Includes

- Cooling fan
- Fan cover plate
- Fan terminal block and screw
- Static strap

### Tools That You Need

- Phillips<sup>®</sup> screwdriver
- Flathead screwdriver

Phillips<sup>®</sup> is a registered trademark of Phillips Screw Company.

### What You Need to Do

To install the Cooling Fan:

- Step 1: Remove power from the drive
- Step 2: Remove the air flow plate
- Step 3: Remove the existing fan
- Step 4: Install the new fan
- Step 5: Install the air flow plate
- Step 6: Document the change

AB PLCS

## Step 1: Remove Power from the Drive

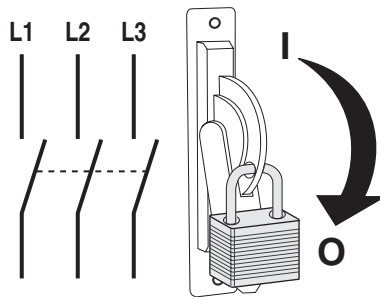


**ATTENTION:** Remove power before making or breaking cable connections. When you remove or insert a cable connector with power applied, an electrical arc may occur. An electrical arc can cause personal injury or property damage by:

- sending an erroneous signal to your system's field devices, causing unintended machine motion
- causing an explosion in a hazardous environment

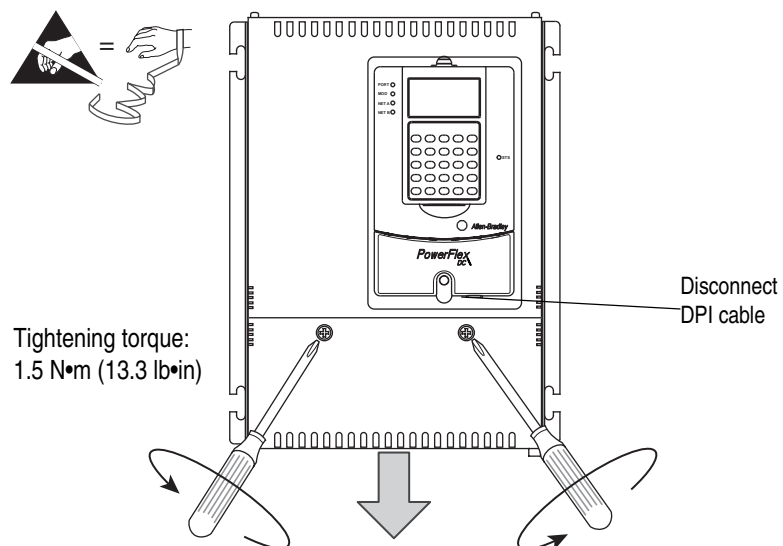
Electrical arcing causes excessive wear to contacts on both the module and its mating connector. Worn contacts may create electrical resistance.

1. Remove and lock-out all incoming power to the drive.

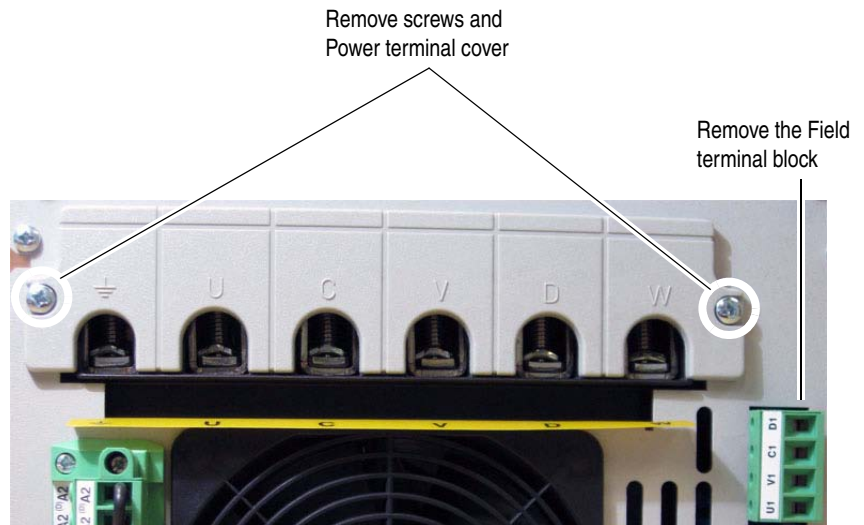


## Step 2: Remove the Air Flow Plate

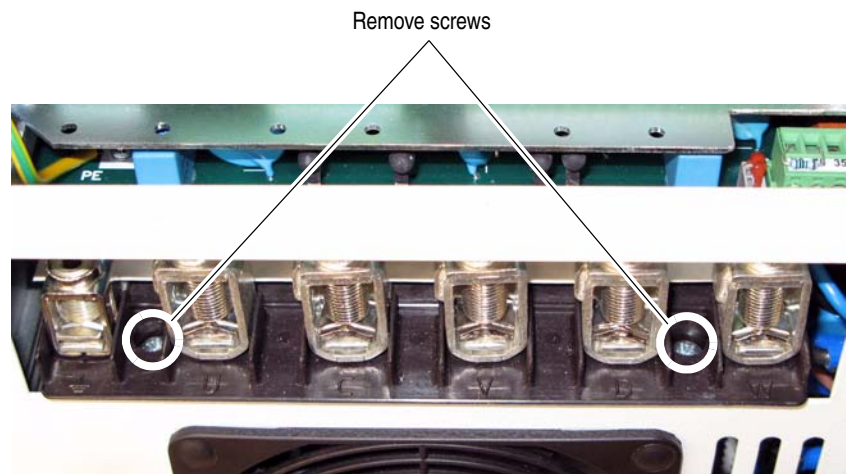
1. Remove the two screws that secure the bottom protective cover to the drive and, while gently lifting along the top edge of the cover, slide it down and off the drive chassis.



2. Loosen the two screws that secure the power terminal cover to the bottom of the drive and slide the cover down and off the chassis.
3. If necessary, remove the power wiring from the drive terminals.
4. Remove the Field terminal block from the drive.



5. Remove the two screws that secure the bottom air flow plate to the power terminal insulation strip.



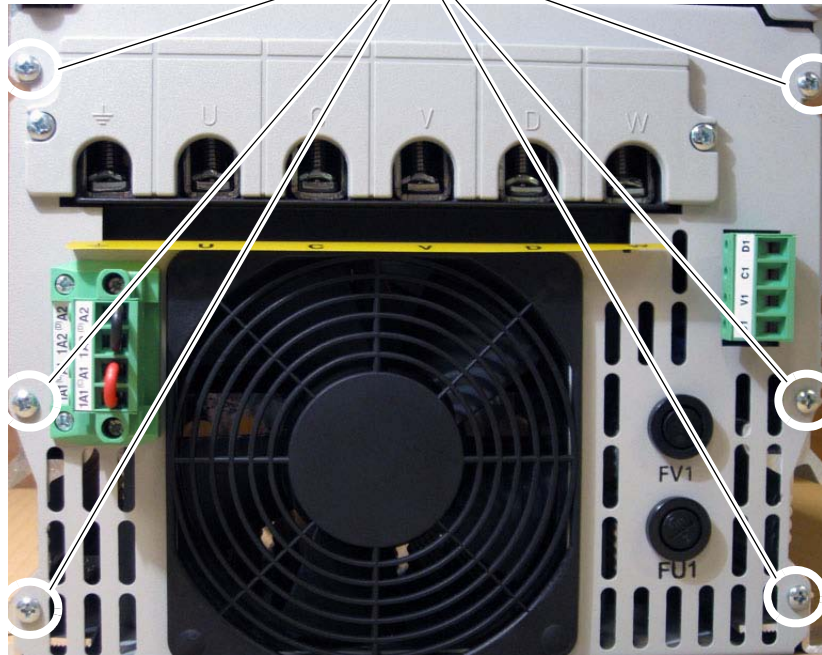
# AB PLCs

6. Remove the six screws that secure the air flow plate to the bottom of the drive chassis and carefully pull the air flow plate and fan assembly down and off the drive.

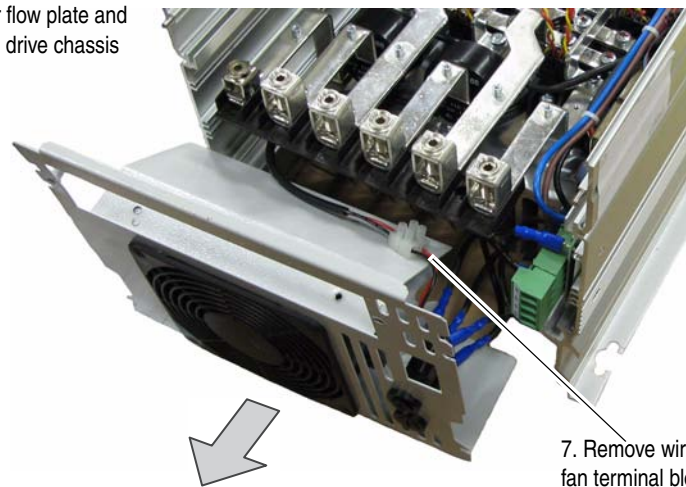
**Important:** Mark all connections and wires before removal to avoid incorrect wiring during reassembly.

7. Disconnect the (black and red) wires from the fan terminal block located on the air flow plate.

6. Remove six screws



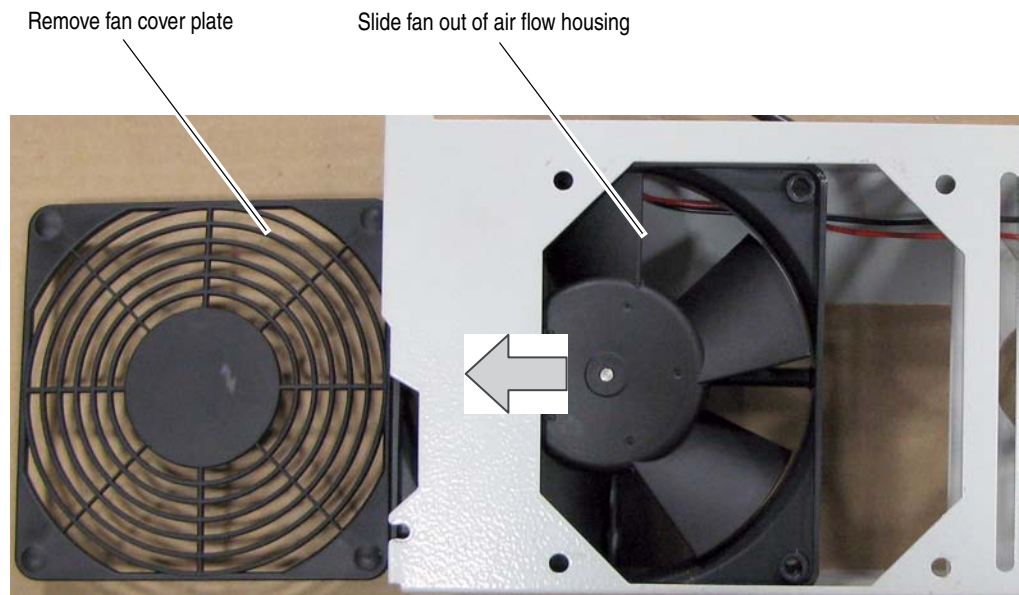
6. Pull air flow plate and fan out of drive chassis



7. Remove wires from fan terminal block

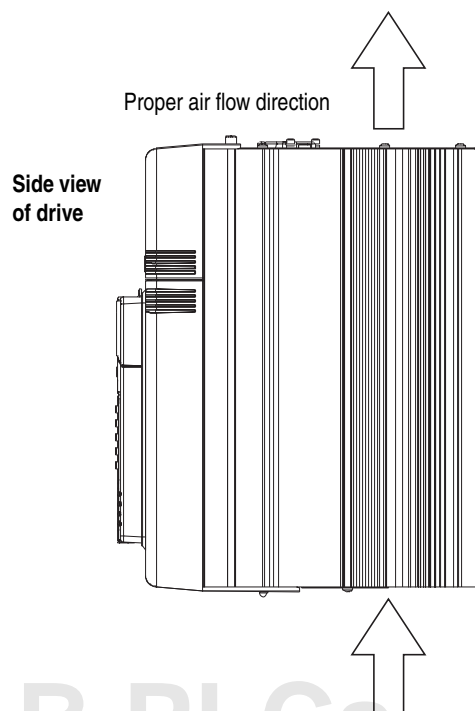
**Step 3: Remove the Existing Fan**

- Using a flathead screwdriver, carefully remove the fan cover plate from the air flow plate and slide the fan out of the air flow housing.

**Step 4: Install the New Fan**

- Install the new cooling fan in the reverse order of removal as detailed in step 3: [Remove the Existing Fan](#) above.

**Important:** Verify that the air flow arrow on the fan is pointed inward, toward the top of the drive.

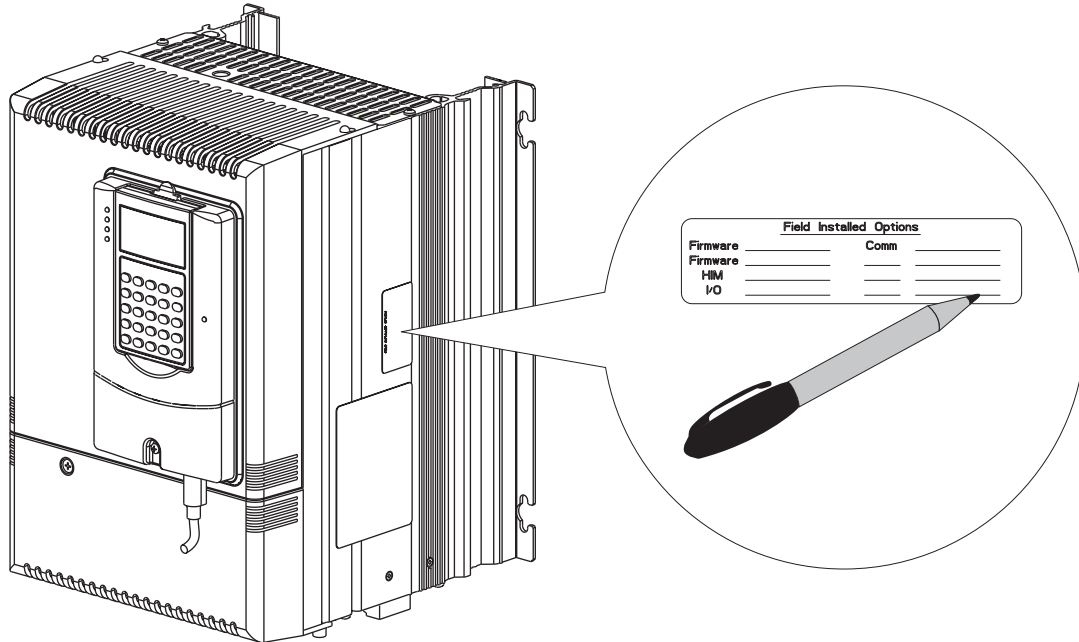


**Step 5: Install the Air Flow Plate**

- Install the air flow plate in the reverse order of removal as detailed in step 2: [Remove the Air Flow Plate on page 2.](#)

**Step 6: Document the Change**

- Record the installation of the new cooling fan and date of installation on the Field Installed Option label on the side of the drive (as shown below).



**Related Documentation**

Allen-Bradley publications are available on the internet at [www.rockwellautomation.com/literature](http://www.rockwellautomation.com/literature).

For . . .	Read this document	Publication Number
In depth information regarding the operation of PowerFlex Digital DC drives	User Manual - PowerFlex Digital DC Drives	20P-UM001...



[www.rockwellautomation.com](http://www.rockwellautomation.com)

**Power, Control and Information Solutions**

Americas: Rockwell Automation, 1201 South Second Street, Milwaukee, WI 53204-2496 USA, Tel: (1) 414.382.2000, Fax: (1) 414.382.4444  
 Europe/Middle East/Africa: Rockwell Automation SA/NV, Vorstlaan/Boulevard du Souverain 36, 1170 Brussels, Belgium, Tel: (32) 2 663 0600, Fax: (32) 2 663 0640  
 Asia Pacific: Rockwell Automation, Level 14, Core F, Cyberport 3, 100 Cyberport Road, Hong Kong, Tel: (852) 2887 4788, Fax: (852) 2508 1846

Publication 20P-IN029B-EN-P - December 2009  
 Supersedes 20P-IN029A-EN-P - March 2009

Copyright © 2009 Rockwell Automation. All rights reserved. Printed in USA.