



PowerFlex[®] DC Drive - Frame B Cooling Fan



ATTENTION: Only qualified personnel familiar with DC drives and associated machinery should plan or implement the installation, start-up and subsequent maintenance of the system. Failure to comply may result in personal injury and/or equipment damage.



ATTENTION: To avoid an electric shock hazard, ensure that all power to the drive has been removed before performing the following.



ATTENTION: This drive contains **ESD** (Electrostatic Discharge) sensitive parts and assemblies. Static control precautions are required when installing, testing, servicing or repairing this assembly. Component damage may result if ESD control procedures are not followed. If you are not familiar with static control procedures, reference A-B publication 8000-4.5.2, “Guarding Against Electrostatic Damage” or any other applicable ESD protection handbook.

What This Kit Includes

- Cooling fan
- Fan cover plate
- Two screws and washers
- Fan terminal block and screw
- Static strap

Tools That You Need

- Phillips[®] screwdriver
- Flathead screwdrivers

Phillips[®] is a registered trademark of Phillips Screw Company.

What You Need to Do

To install the cooling fan:

- Step 1: Remove power from the drive
- Step 2: Remove the existing cooling fan
- Step 3: Install the new cooling fan
- Step 4: Document the change

Step 1: Remove Power from the Drive

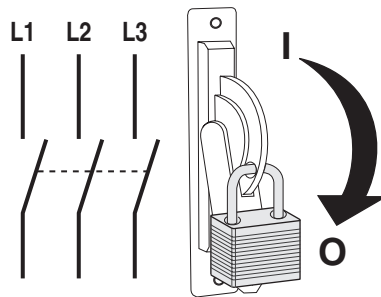


ATTENTION: Remove power before making or breaking cable connections. When you remove or insert a cable connector with power applied, an electrical arc may occur. An electrical arc can cause personal injury or property damage by:

- sending an erroneous signal to your system’s field devices, causing unintended machine motion
- causing an explosion in a hazardous environment

Electrical arcing causes excessive wear to contacts on both the module and its mating connector. Worn contacts may create electrical resistance.

1. Remove and lock-out all incoming power to the drive.



Step 2: Remove the Existing Cooling Fan

1. Remove the two screws that secure the rear plastic shield to the bottom of the drive and remove the shield.

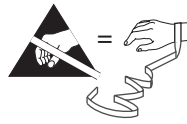
Bottom View



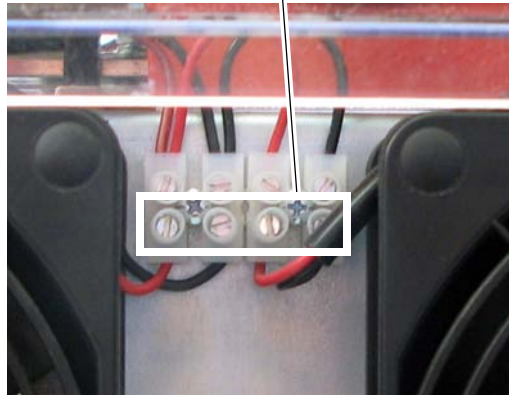
Remove screws and shield

2. Locate the cooling fan terminal block, between the fans, on the bottom of the drive and loosen the screws that secure the fan power supply wires (red and black) to the terminal block and remove the wires.

Important: Note the color and location of each of the wires connected to the terminal block to ensure that each wire is properly connected during installation.



Loosen screws and remove wires

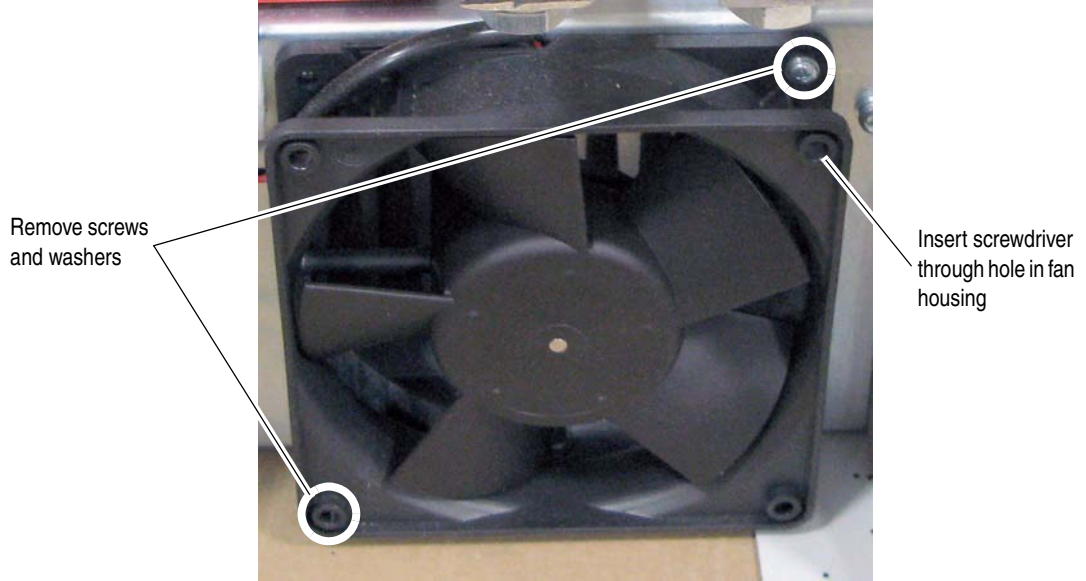


3. Using a flathead screwdriver, carefully pry the cover plate off of the fan housing.

Remove fan
cover plate



4. Insert a Phillips® screwdriver through the mounting holes on the fan housing, remove the two screws and washers that secure the fan to the drive frame and remove the fan from the drive.

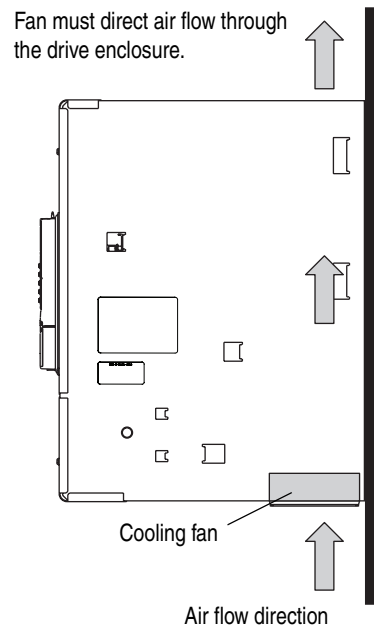


Step 3: Install the New Cooling Fan

Install the new cooling fan in reverse order of removal as detailed in Step 2: [Remove the Existing Cooling Fan on page 2](#).

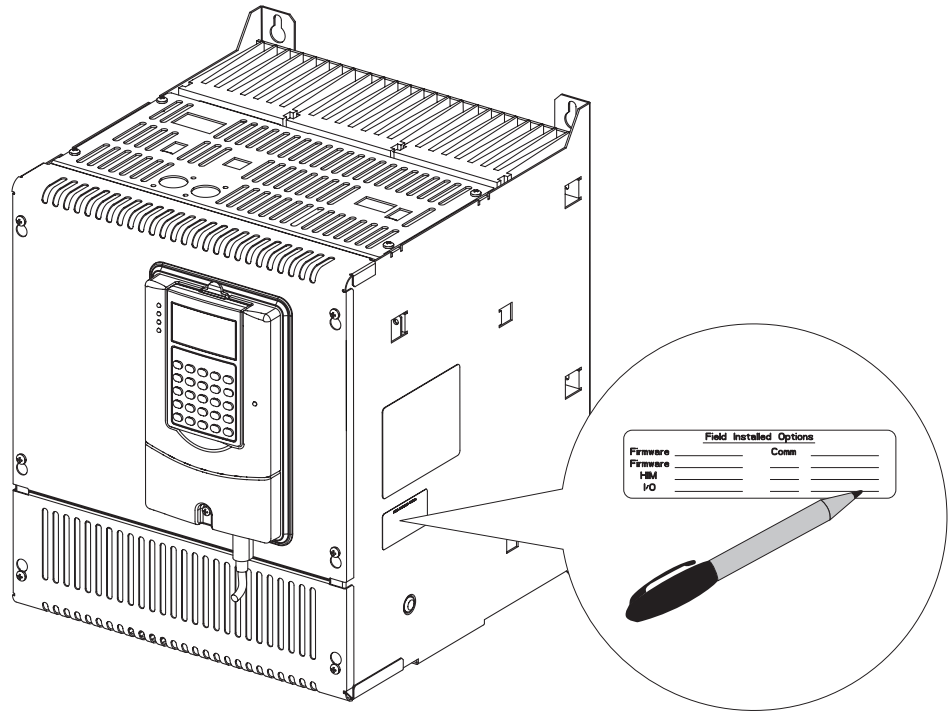
- Inspect the fan connection terminal block for cracks, stripped screws, etc. If necessary, replace the terminal block with the new one provided with the kit.

Important: Verify that the air flow direction arrow on the fan is pointed toward the top of the drive.



Step 4: Document the Change

Record the installation of the new cooling fan and date of installation on the Field Installed Option label on the side of the drive (as shown below).



Related Documentation

Allen-Bradley publications are available on the internet at www.rockwellautomation.com/literature.

For . . .	Read this document	Publication Number
In depth information regarding the operation of PowerFlex Digital DC drives	User Manual - PowerFlex Digital DC Drives	20P-UM001...



www.rockwellautomation.com

Power, Control and Information Solutions

Americas: Rockwell Automation, 1201 South Second Street, Milwaukee, WI 53204-2496 USA, Tel: (1) 414.382.2000, Fax: (1) 414.382.4444

Europe/Middle East/Africa: Rockwell Automation SA/NV, Vorstlaan/Boulevard du Souverain 36, 1170 Brussels, Belgium, Tel: (32) 2 663 0600, Fax: (32) 2 663 0640

Asia Pacific: Rockwell Automation, Level 14, Core F, Cyberport 3, 100 Cyberport Road, Hong Kong, Tel: (852) 2887 4788, Fax: (852) 2508 1846

Publication 20P-IN030A-EN-P - March 2009

Copyright © 2009 Rockwell Automation. All rights reserved. Printed in USA.