



CENTERLINE® 2100 Motor Control Centers Installing Unit Load Ground Lugs

Catalog Number 2100H-UG1

Application

This publication includes instructions for installing CENTERLINE® 2100 unit load ground lugs on the horizontal ground bus.

NOTE: To use this kit a horizontal ground bus must be present in the motor control center.

ATTENTION

Disconnect or interrupt all sources of power to the motor control center before proceeding. Serious injury or death can result from working on energized sections.

Recommended Tools

Screw driver (to remove wireway covers)

7/16" wrench or socket (hex-type suggested)

Torque wrench

Installation Procedure:

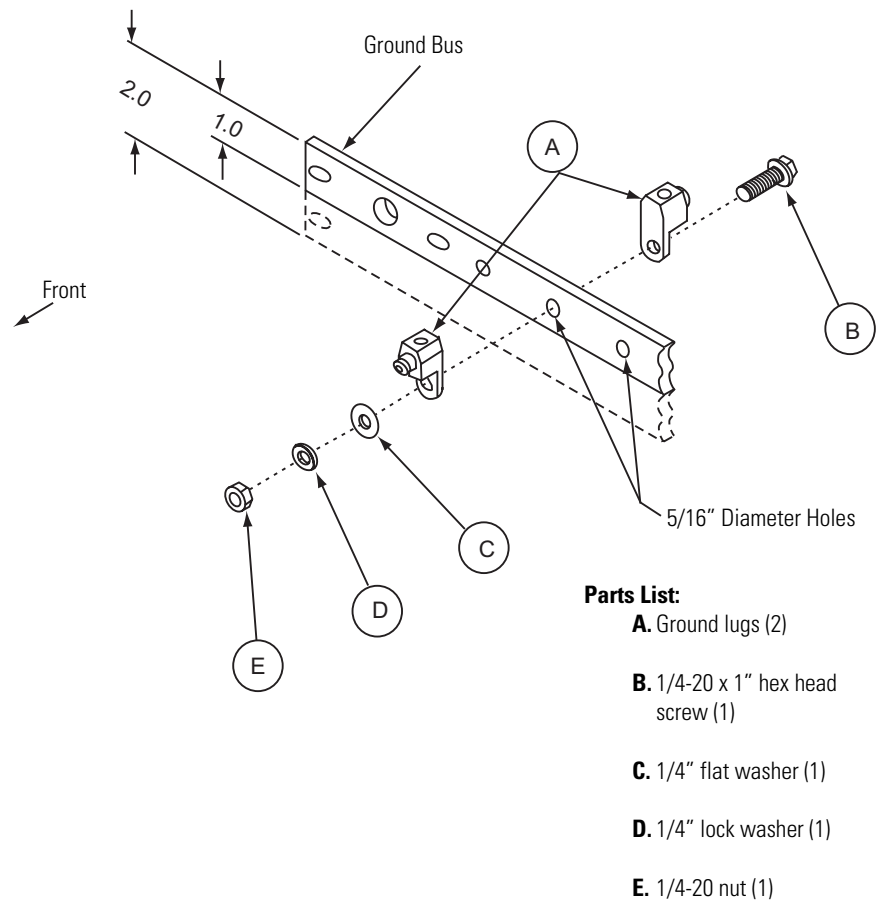
1. Verify parts list (refer to Figure 1, back page).
2. Determine the ground bus location: top, bottom, or both. Remove the corresponding wireway cover(s).

NOTE: For motor control centers with ground bus in the top and the bottom, decide which location is most convenient for the ground lugs.

3. The horizontal ground bus has a series of 5/16" diameter holes. Place one ground lug on each side of the ground bus, at one of the holes. Assemble the screw, washers, and nut as shown in Figure 1. Torque to 65 lb-in (7.3 N-m).

Allen-Bradley Spares

Figure 1 Assembling unit load ground lug kit



4. The ground lugs accept #14 to #4 AWG copper wire. Remove 1/2" of insulation from the end of the wire. Insert the stripped end of the wire into the lug. Torque to 45 lb-in (5 N-m).

www.rockwellautomation.com

Power, Control and Information Solutions Headquarters

Americas: Rockwell Automation, 1201 South Second Street, Milwaukee, WI 53204-2496 USA, Tel: (1) 414.382.2000, Fax: (1) 414.382.4444

Europe/Middle East/Africa: Rockwell Automation, Vorstlaan/Boulevard du Souverain 36, 1170 Brussels, Belgium, Tel: (32) 2 663 0600, Fax: (32) 2 663 0640

Asia Pacific: Rockwell Automation, Level 14, Core F, Cyberport 3, 100 Cyberport Road, Hong Kong, Tel: (852) 2887 4788, Fax: (852) 2508 1846

Publication 2100-IN064A-EN-P—September 2006

Supersedes Publication 2400-5.3 - October 1990

Copyright © 2006 Rockwell Automation, Inc. Printed in the U.S.A.