

CENTERLINE 2100 Motor Control Center End Closing Plates

Catalog Numbers 2100H-ECP1A, 2100H-ECP2A,
2100H-ECP1J, 2100H-ECP2J

Topic	Page
Important User Information	2
About the End Closing Plates	3
Catalog Number Explanation	3
Parts List	3
Install the End Closing Plates	3
Additional Resources	4

Important User Information

Solid state equipment has operational characteristics differing from those of electromechanical equipment. Safety Guidelines for the Application, Installation and Maintenance of Solid State Controls (Publication [SGI-1.1](#) available from your local Rockwell Automation sales office or online at <http://literature.rockwellautomation.com>) describes some important differences between solid state equipment and hard-wired electromechanical devices. Because of this difference, and also because of the wide variety of uses for solid state equipment, all persons responsible for applying this equipment must satisfy themselves that each intended application of this equipment is acceptable.





In no event will Rockwell Automation, Inc. be responsible or liable for indirect or consequential damages resulting from the use or application of this equipment.

The examples and diagrams in this manual are included solely for illustrative purposes. Because of the many variables and requirements associated with any particular installation, Rockwell Automation, Inc. cannot assume responsibility or liability for actual use based on the examples and diagrams.

No patent liability is assumed by Rockwell Automation, Inc. with respect to use of information, circuits, equipment, or software described in this manual.

Reproduction of the contents of this manual, in whole or in part, without written permission of Rockwell Automation, Inc., is prohibited.

Throughout this manual, when necessary, we use notes to make you aware of safety considerations.

<p>WARNING</p> 	Identifies information about practices or circumstances that can cause an explosion in a hazardous environment, which may lead to personal injury or death, property damage, or economic loss.
<p>IMPORTANT</p>	Identifies information that is critical for successful application and understanding of the product.
<p>ATTENTION</p> 	Identifies information about practices or circumstances that can lead to personal injury or death, property damage, or economic loss. Attentions help you identify a hazard, avoid a hazard and recognize the consequences.
<p>SHOCK HAZARD</p> 	Labels may be on or inside the equipment, for example, a drive or motor, to alert people that dangerous voltage may be present.
<p>BURN HAZARD</p> 	Labels may be on or inside the equipment, for example, a drive or motor, to alert people that surfaces may reach dangerous temperatures.

About the End Closing Plates

The closing plates are for the right sidesheet of a Motor Control Center. They are to be used if you have rearranged your LVMCC line-up so that a sidesheet with the integral mounting flanges is on the outside of the line-up.

Catalog Number Explanation

This table explains what the catalog number represents.

Catalog Number	Description
2100H-ECP1A	End closing plate kit (15 in. (381 mm) deep - NEMA Type 1 and 1 with gasket) for sidesheet with integral mounting flanges
2100H-ECP2A	End closing plate kit (20 in. (508 mm) deep - NEMA Type 1 and 1 with gasket) for sidesheet with integral mounting flanges
2100H-ECP1J	End closing plate kit (15 in. (381 mm) deep - NEMA Type 12) for sidesheet with integral mounting flanges
2100H-ECP2J	End closing plate kit (20 in. (508 mm) deep - NEMA Type 12) for sidesheet with integral mounting flanges

Parts List

These kits come with the following parts.

Section Width	Number of Plates	Number of Thread Forming Screws
15 in. (381 mm)	3 ⁽¹⁾	18 (6 per plate)
20 in. (508 mm)	3 ⁽¹⁾	27 (9 per plate)

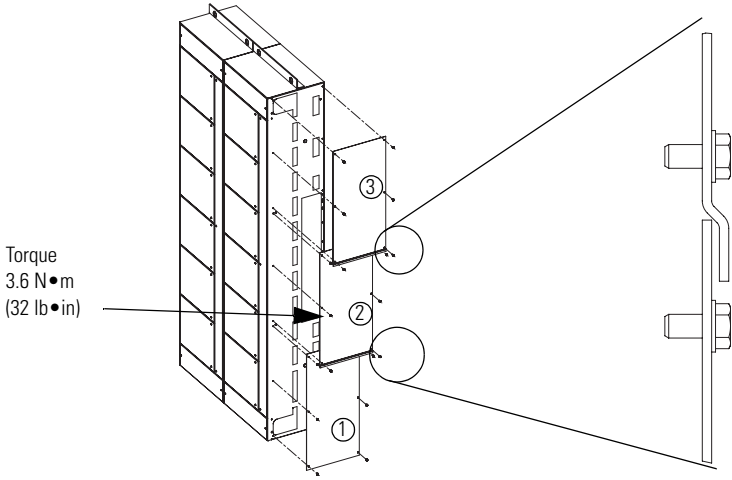
⁽¹⁾ One plate is flat. Install this plate first, at the bottom of the sidesheet. Two plates have a formed edge. Install these plates in the middle and top positions.

Install the End Closing Plates

Follow these steps to install the end closing plates.

SHOCK HAZARD Disconnect all sources of power to the motor control center. Serious injury or death can result from working on energized MCCs.





SHOCK HAZARD

Do not energize the MCC unless all end plates are properly installed. Serious injury or death can occur if end closing plates are missing or improperly installed.



Additional Resources

These documents contain additional information concerning related Rockwell Automation products.

Resource	Description
CENTERLINE MCCs Instruction Manual, publication 2100-IN012 .	Provides information on installing and connecting your MCC unit.

You can view or download publications at <http://literature.rockwellautomation.com>. To order paper copies of technical documentation, contact your local Rockwell Automation distributor or sales representative.

CENTERLINE, Allen-Bradley, and Rockwell Automation are trademarks of Rockwell Automation, Inc.

Trademarks not belonging to Rockwell Automation are property of their respective companies.

www.rockwellautomation.com

Power, Control and Information Solutions Headquarters

Americas: Rockwell Automation, 1201 South Second Street, Milwaukee, WI 53204-2496 USA, Tel: (1) 414.382.2000, Fax: (1) 414.382.4444
 Europe/Middle East/Africa: Rockwell Automation, Vorstlaan/Boulevard du Souverain 36, 1170 Brussels, Belgium, Tel: (32) 2 663 0600, Fax: (32) 2 663 0640
 Asia Pacific: Rockwell Automation, Level 14, Core F, Cyberport 3, 100 Cyberport Road, Hong Kong, Tel: (852) 2887 4788, Fax: (852) 2508 1846

Publication 2100-IN069A-EN-P - February 2009

PN-43054

Copyright © 2009 Rockwell Automation, Inc. All rights reserved. Printed in the U.S.A.