

2100-GK61 DeviceNet Communications Module with Inputs

Product Data



Description

The Allen-Bradley Bulletin 2100-GK61 enhanced DeviceNet communication module provides an electronic communication interface between the DeviceNet network and any SCANport product, while providing digital inputs to monitor disconnect auxiliary contacts, hand-off-auto switches or motor starter contacts via DeviceNet. The 2100-GK61 module is panel mounted. Digital inputs can be 230Vac, 115Vac or 24Vdc with the voltage level set via a Dip Switch. For pricing information please refer to Publication 2100-PL003A-US-P.

Features of the Communications Module

The DeviceNet network is an open, global industry-standard communication network designed to provide an interface through a single cable from a programmable controller directly to smart devices such as sensors, push buttons, motor starters, simple operator interfaces and drives.

The 2100-GK61 module lets you connect your SCANport products to a DeviceNet network. This adapter features the following:

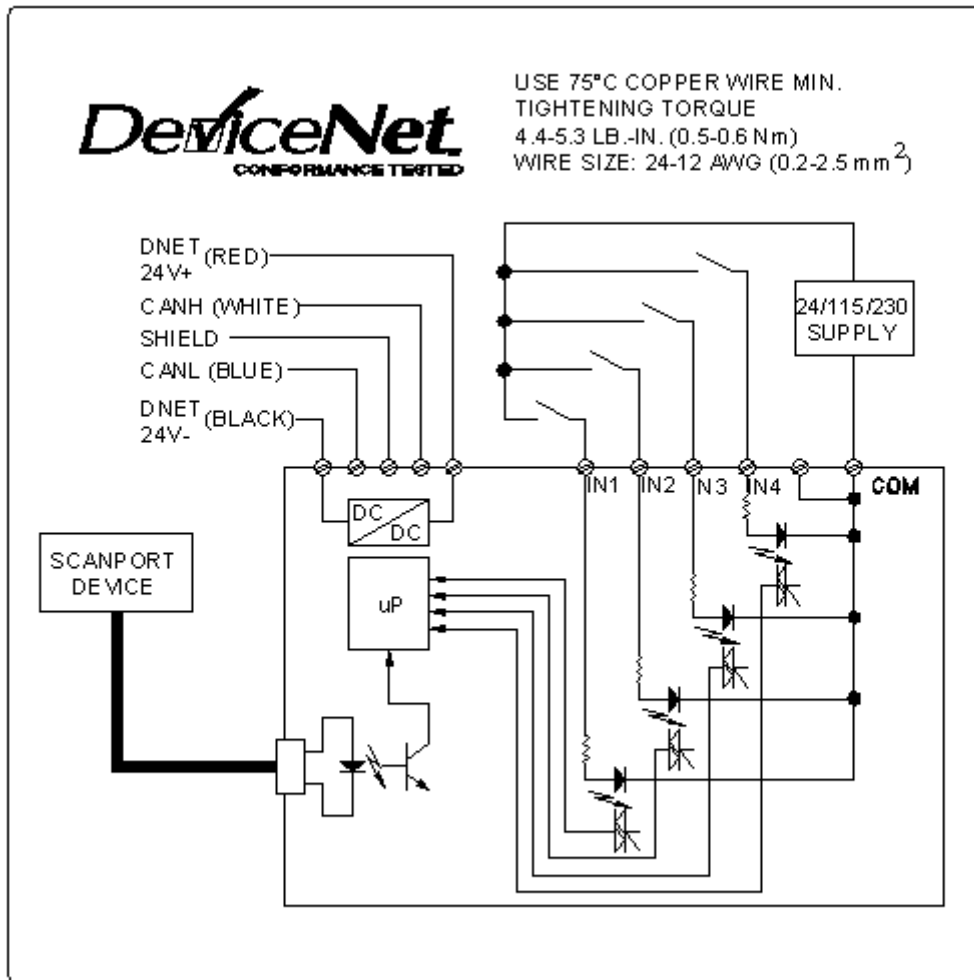
- Flash upgradeability allows for field updates in the event of changes to the adapter's firmware.
- COS (Change of State) capability lets you customize this device's activity on the network by configuring the adapter to report only new data.
- Cyclic operation lets you customize the devices's activity on the network by configuring the adapter to report its data at specific intervals.
- Peer I/O capabilities let the adjustable frequency drive's I/O (logic command, reference, logic status, feedback and datalinks) be broadcast to or received from other adjustable frequency drives connected via 1203-GU6, 1336-GM6 or 2100-GK61 adapters.
- Polled operation allows you to customize the device's activity on the network to respond only after the scanner sends control data.
- Software configuration lets you configure the adapter using RSNetWorx for DeviceNet.
- Faulted Node Recovery lets you change items, such as node address, of a device even when it is faulted on the network.
- User-configurable fault response provides the ability to customize the adapter's sections to communication errors.
- A Module Status LED helps to diagnose network, module and SCANport product health.
- Four (4) individual digital inputs allow you to monitor and report status of devices such as disconnect auxiliary contacts, hand-off-auto switches, or motor starter contacts.

Product Specifications

Category	Specifications
Dimensions	Mounting: 1.55"W X 5.17"H X 5.00"D (Mounting: 3.94cm X 13.13cm X 12.70cm) Module: 1.55"W X 3.48"H X 5.00"D (Module: 3.94cm X 8.84cm X 12.70cm)
Weight	17 oz (482g)
Operating Temperature	0 to +55°C (32 to 131°F)
Storage Temperature	-40 to +85°C (-40 to 185°F)
Relative Humidity (Operating)	5 to 95% non-condensing
Relative Humidity (Non-Operating)	5 to 95% non-condensing
Shock (Operating)	30g peak acceleration, 11(+/-1)ms pulse width
Shock (Non-Operating)	50g peak acceleration, 11(+/-1)ms pulse width
Vibration (Operating)	2.5g at 5Hz - 2KHz
Vibration (Non-Operating)	5g at 5Hz - 2KHz
Power Consumption	Supplied through DeviceNet 24Vdc, 120mA Supplied through SCANPort 12Vdc, 50mA
Digital Input Relay	At 24V, 10mA each Input At 115V, 10mA each Input At 230V, 10mA each Input
Regulatory Agencies	UL 508 and CUL

Allen-Bradley Drives

Typical Wiring of 2100-GK61 Communication Module

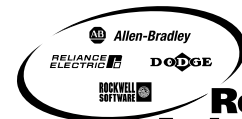


Reach us now at www.rockwellautomation.com

Wherever you need us, Rockwell Automation brings together leading brands in industrial automation including Allen-Bradley controls, Reliance Electric power transmission products, Dodge mechanical power transmission components, and Rockwell Software. Rockwell Automation's unique, flexible approach to helping customers achieve a competitive advantage is supported by thousands of authorized partners, distributors and system integrators around the world.

Americas Headquarters, 1201 South Second Street, Milwaukee, WI 53204, USA, Tel: (1) 414 382-2000, Fax: (1) 414 382-4444
European Headquarters SA/NV, avenue Herrmann Debroux, 46, 1160 Brussels, Belgium, Tel: (32) 2 663 06 00, Fax: (32) 2 663 06 40
Asia Pacific Headquarters, 27/F Citicorp Centre, 18 Whitfield Road, Causeway Bay, Hong Kong, Tel: (852) 2887 4788, Fax: (852) 2508 1846

Publication 2100-TD006A-US-P - November 1999



Rockwell Automation

Copyright 1999. Rockwell International. Printed in the USA.