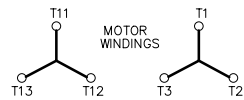


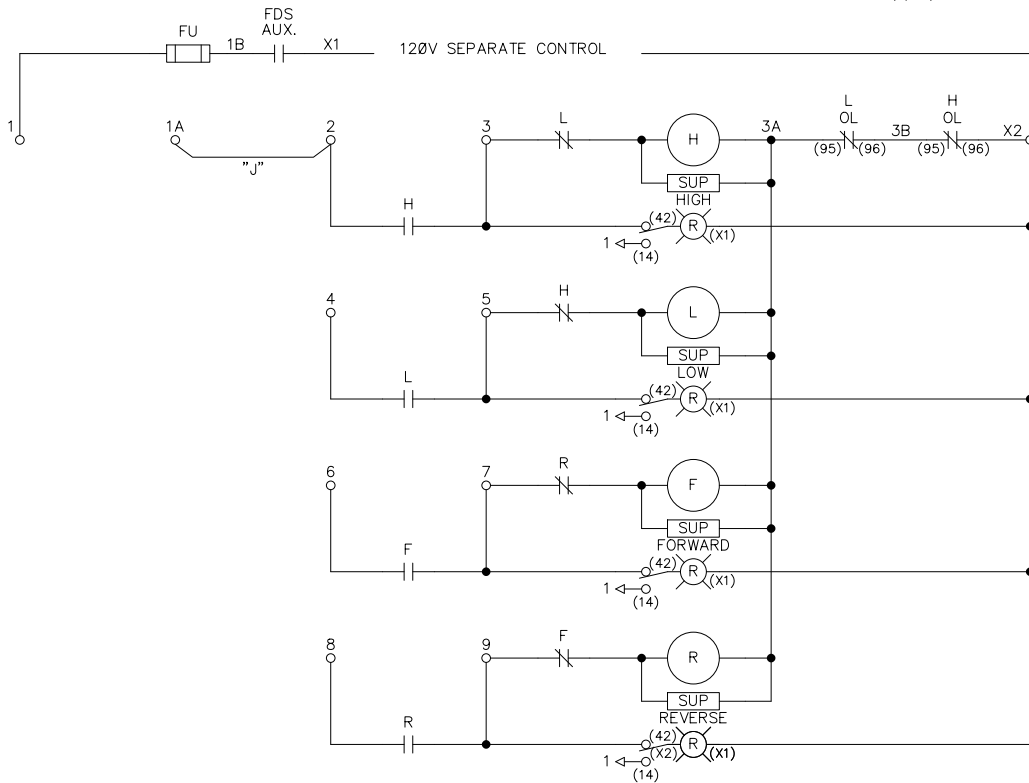
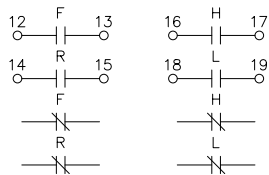
NOTES

- [1] REMOTE DEVICE



SPEED	LINES			OPEN		
	L1	L2	L3	T11	T12	T13
LOW FOR.	T1	T2	T3	T11	T12	T13
HIGH FOR.	T11	T12	T13	T1	T2	T3
LOW REV.	T3	T2	T1	T11	T12	T13

[3] DO NOT USE AUTOMATIC RESET MODE IN APPLICATIONS WHERE UNEXPECTED AUTOMATIC RESTART OF THE MOTOR CAN CAUSE INJURY TO PERSONS OR DAMAGE TO EQUIPMENT.



THE CIRCUIT IS TYPICAL OF A SIZE 1-2 BUL 2126J TSR2W STARTER WITH 120 VOLT SEPARATE CONTROL OPTIONS:

- 1 'HIGH' PUSH-TO-TEST PILOT LIGHT (RED)
- 1 'LOW' PUSH-TO-TEST PILOT LIGHT (RED)
- 1 'FORWARD' PUSH-TO-TEST PILOT LIGHT (RED)
- 1 'REVERSE' PUSH-TO-TEST PILOT LIGHT (RED)
- 1 SMP-2 SOLID STATE OVERLOAD RELAY ON HIGH-LOW STARTERS
- 1 CONTROL CIRCUIT FUSE
- 1 SURGE SUPPRESSOR ON EACH STARTER
- 2 N.O. AUXILIARY CONTACTS ON EACH STARTER
- 2 N.C. AUXILIARY CONTACTS ON EACH STARTER
- 1 N.O. AUXILIARY CONTACT ON THE DISCONNECT SWITCH

A COMPLETE AND ACCURATE REPRESENTATION OF THE CIRCUIT DEPENDS ON THE SIZE AND OPTIONS ORDERED.

References		BUL. 2126J SIZE 1-2		 Rockwell Automation	
Revision		TYPE B			
Release	Dimensions Apply Before Surface Treatment	Tolerances Unless Otherwise Specified		Sheet 1 Of 1 Dwg Size C 2126JWB005	
1 09/05/01	2 Place Decimal ±.02	3 Place Decimal ±.005			
	Angles ±1	Refer. Book			
Dr.	Date	Chkd.	Date	Appd.	Date