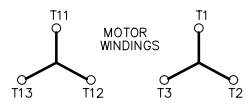
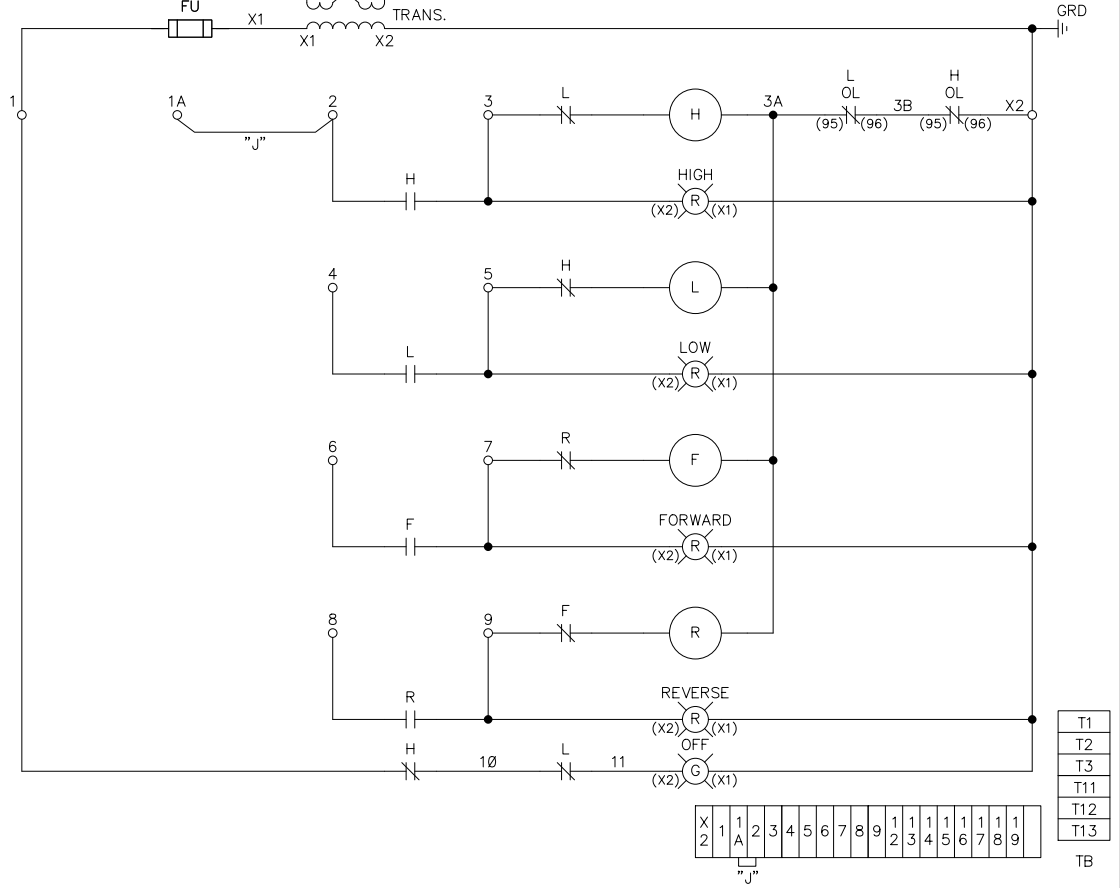
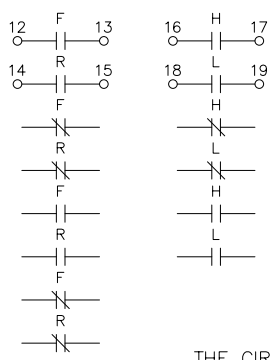


NOTES

☐ REMOTE DEVICE



SPEED	LINES			OPEN		
	L1	L2	L3	T11	T12	T13
LOW FOR.	T1	T2	T3	T11	T12	T13
HIGH FOR.	T11	T12	T13	T1	T2	T3
LOW REV.	T3	T2	T1	T11	T12	T13



T1
T2
T3
T11
T12
T13
TB

THE CIRCUIT IS TYPICAL OF A SIZE 1-2 BUL 2126J TSR2W STARTER WITH TRANSFORMER CONTROL OPTIONS:

- A 480/120V CONTROL TRANSFORMER WITH PRIMARY FUSES
- 1 'HIGH' PILOT LIGHT (RED)
- 1 'LOW' PILOT LIGHT (RED)
- 1 'FORWARD' PILOT LIGHT (RED)
- 1 'REVERSE' PILOT LIGHT (RED)
- 1 'OFF' PILOT LIGHT (GREEN)
- 1 SMP-1 SOLID STATE OVERLOAD ON HIGH-LOW STARTERS
- 2 N.O. AUXILIARY CONTACTS ON EACH STARTER
- 2 N.C. AUXILIARY CONTACTS ON EACH STARTER

A COMPLETE AND ACCURATE REPRESENTATION OF THE CIRCUIT DEPENDS ON THE SIZE AND OPTIONS ORDERED.

References		BUL. 2126J SIZE 1-2		 Rockwell Automation
Revision		TYPE B		
Release	Dimensions Apply Before Surface Treatment	Tolerances Unless Otherwise Specified		Dr. _____ Date _____ Chkd. _____ Date _____ Appd. _____ Date _____
1 09/05/01	2 Place Decimal ± .02	3 Place Decimal ± .005		
Refer. Book	Angles ± 1	Sheet 1 Of 1		Dwg Size C
				2126JWB012