

A

B

C

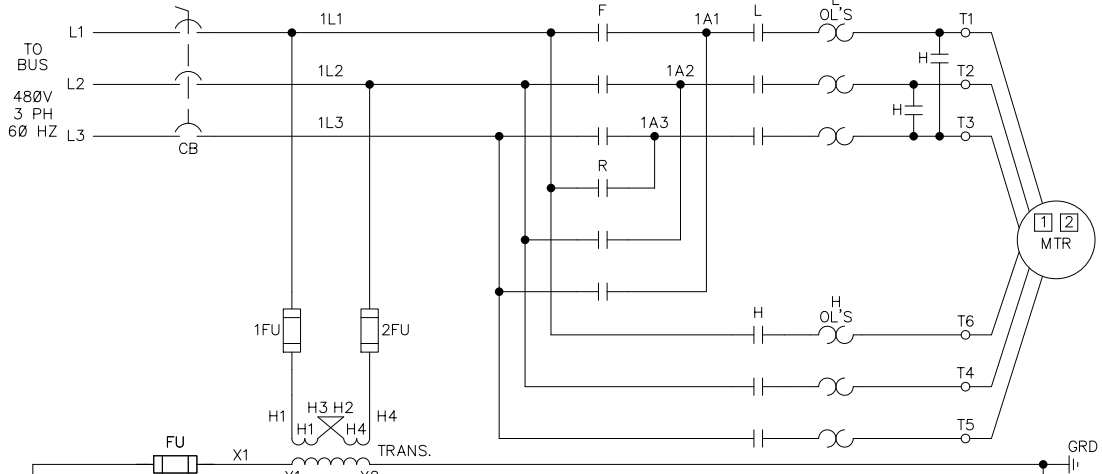
D

E

F

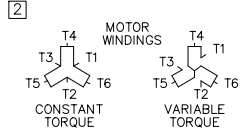
G

H



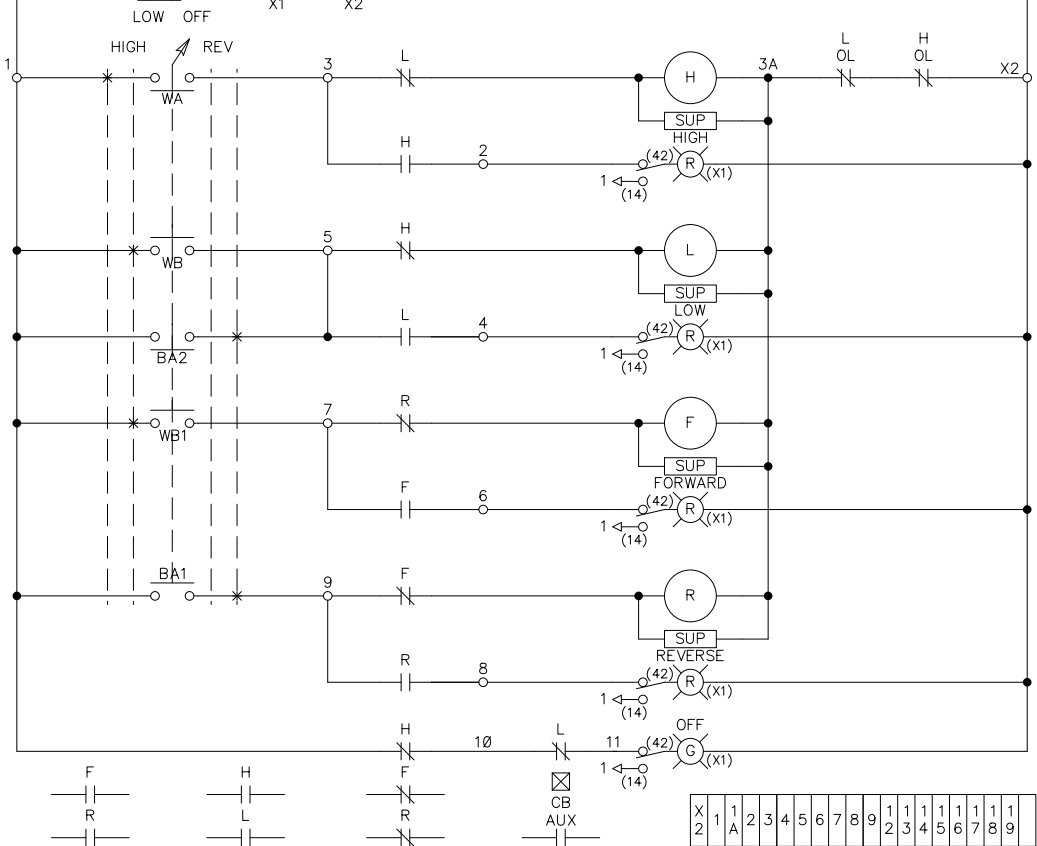
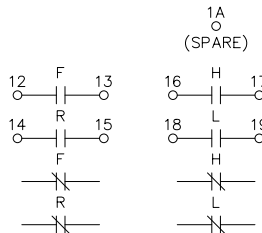
**NOTES**

1 REMOTE DEVICE



SYNOPSIS OF MOTOR CONNECTIONS						
SPEED	LINES			OPEN	TOGETHER	
	L1	L2	L3		T1	T2
LOW FOR.	T1	T2	T3	T4	T5	T6
HIGH FOR.	T6	T4	T5	NONE	T1	T2
LOW REV.	T3	T2	T1	T4	T5	T6

THIS IS AN EXTERNAL CIRCUIT BREAKER AUXILIARY AND SHOULD NOT BE USED FOR BREAKER TRIP INDICATION.



T1
T2
T3
T4
T5
T6
TB

X	1	2	3	4	5	6	7	8	9	10	11	12	13	14	15	16	17	18	19
2	1	A	2	3	4	5	6	7	8	9	1	1	1	1	1	1	1	1	1

THE CIRCUIT IS TYPICAL OF A SIZE 1-2 BUL 2127K TSR1W STARTER WITH TRANSFORMER CONTROL OPTIONS:

- A 480/120V CONTROL TRANSFORMER WITH PRIMARY FUSES
- 1 'HIGH-LOW-OFF-REV' SELECTOR SWITCH
- 1 'HIGH' PUSH-TO-TEST PILOT LIGHT (RED)
- 1 'LOW' PUSH-TO-TEST PILOT LIGHT (RED)
- 1 'FORWARD' PUSH-TO-TEST PILOT LIGHT (RED)
- 1 'REVERSE' PUSH-TO-TEST PILOT LIGHT (RED)
- 1 'OFF' PUSH-TO-TEST PILOT LIGHT (GREEN)
- 1 SURGE SUPPRESSOR ON EACH STARTER
- 2 N.O. AUXILIARY CONTACTS ON EACH STARTER
- 2 N.C. AUXILIARY CONTACTS ON EACH STARTER
- 1 N.O. AUXILIARY CONTACT ON THE CIRCUIT BREAKER

A COMPLETE AND ACCURATE REPRESENTATION OF THE CIRCUIT DEPENDS ON THE SIZE AND OPTIONS ORDERED.

References		BUL. 2127K SIZE 1-2		
Revision		TYPE B		
Release	Dimensions Apply Before Surface Treatment	Tolerances Unless Otherwise Specified		Dr. _____ Date _____ Chkd. _____ Date _____ Appd. _____ Date _____
1 09/05/01	2 Place Decimal ± .02	3 Place Decimal ± .005		
	Angles ± 1			
Refer. Book				Sheet 1 Of 1 Dwg Size C 2127KWBO10 P.C.P. AutoCAD

