

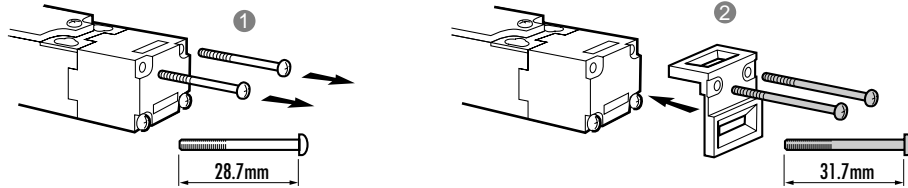


# CADET & ELF GD2 ACCESSORY KIT

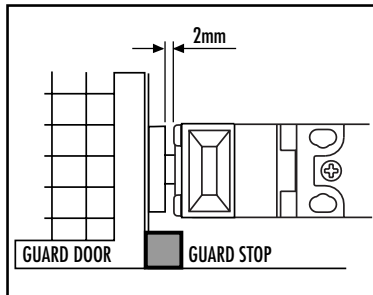
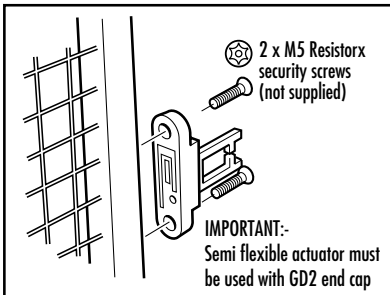
### Description

The GD2 kit is intended for use with the Guardmaster Cadet and Elf interlock switches. The kit offers improved mechanical alignment, life and a reduction of minimum operating radius. Ideal for demanding applications.

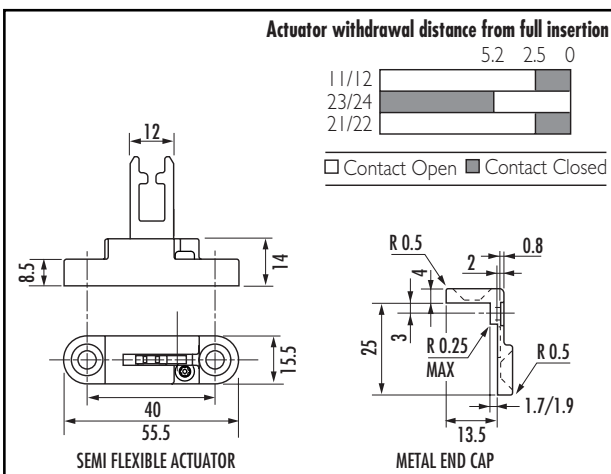
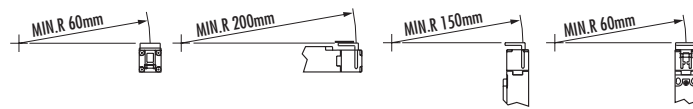
**GD2 kit comprises of stainless steel end cap, 2 x fixing screws and 1 flexible actuator**



**IMPORTANT:** The end cap fixing screws contained in this kit must be used.



Minimum Operating Radius Front-Entry using semi flexible GD2 actuator



Drg No: 21634 / Issue No: 0

# Allen-Bradley HMIs