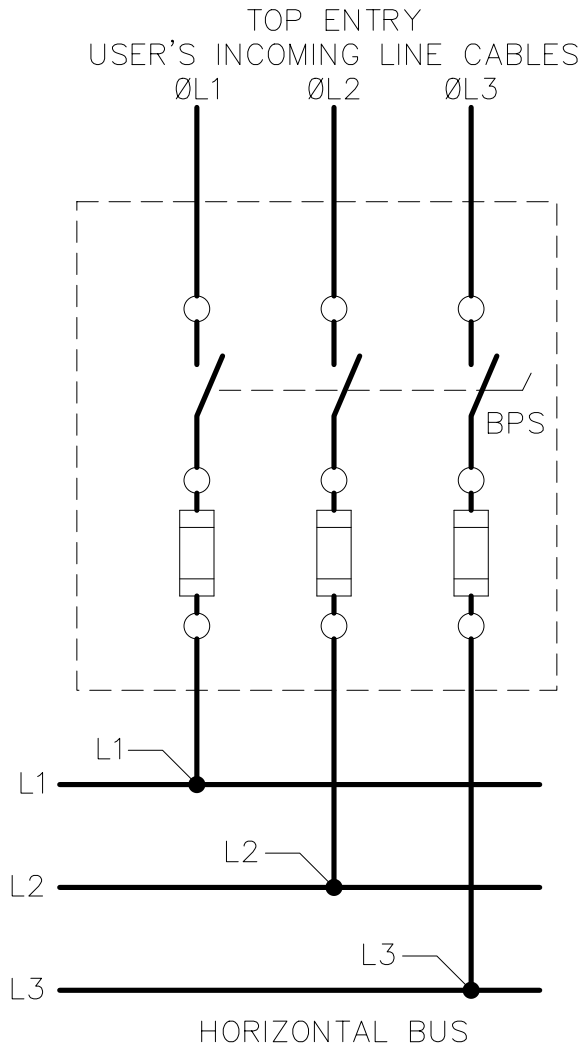
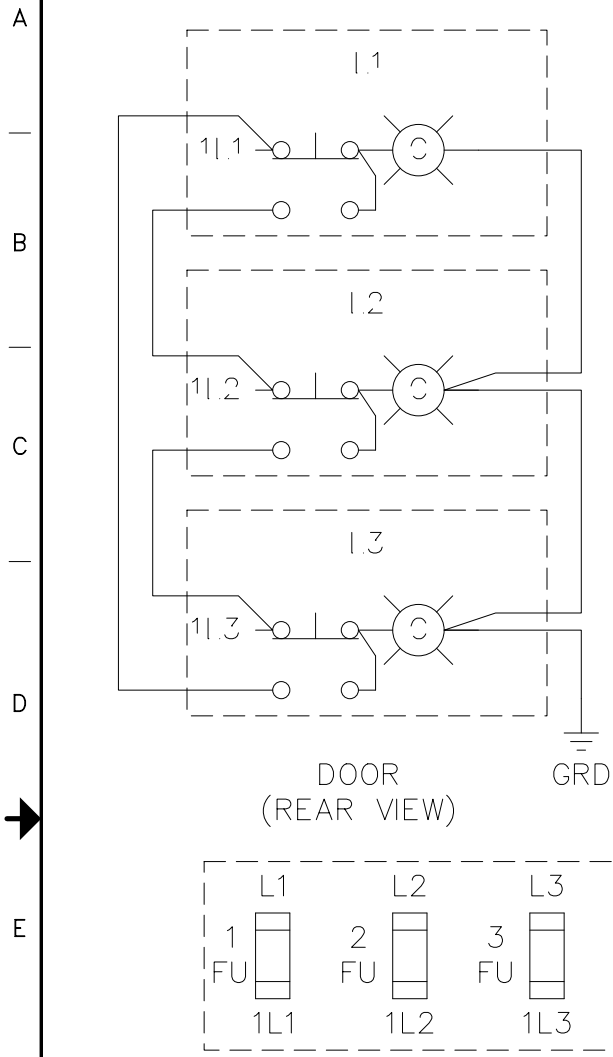


CONNECT BETWEEN SIMILARLY MARKED TERMINALS



THE CIRCUIT IS TYPICAL OF A 600A BUL 2192M FUSIBLE DISCONNECT SWITCH MAIN UNIT  
 OPTIONS:  
 - 3 CLEAR PUSH-TO-TEST PILOT LIGHTS WITH FUSING

A COMPLETE AND ACCURATE REPRESENTATION OF THE CIRCUIT DEPENDS ON THE SIZE AND OPTIONS ORDERED.

References		BUL. 2192M		 <b>Allen-Bradley</b> <b>Rockwell Automation</b>
Revision		600 AMP		
1	08/28/01	Dr.	Date	Sheet 1 Of 1
Refer. Book		Chkd.	Date	Dwg Size A
		Appd.	Date	2192MWB002