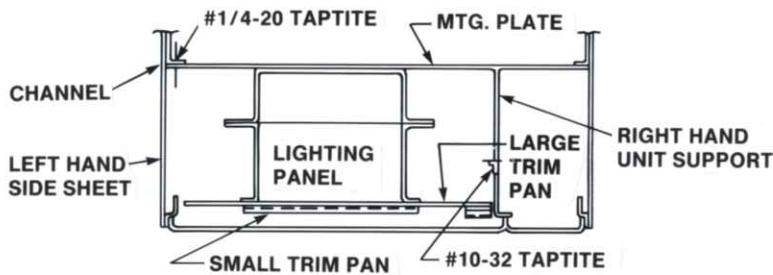
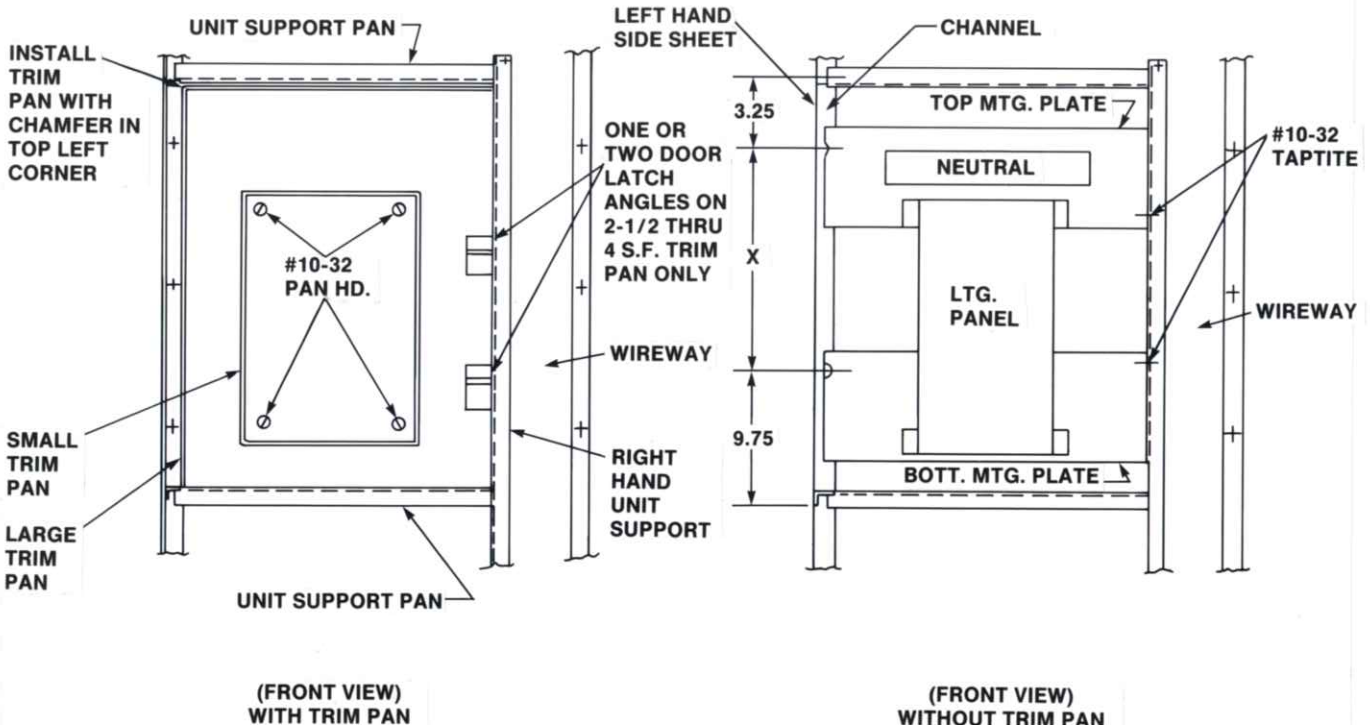


## MOUNTING INSTRUCTIONS FOR BULLETIN 2193L LIGHTING PANEL

- Step #1.** Remove trim pans from panel assembly by removing four #10-32 screws.
- Step #2.** Measure large trim pan and install two unit support pans at appropriate levels in vertical section, so that they are the same distance apart as the height of the large trim pan.
- Step #3.** On front of channel in left hand side sheet, locate 1 hole 3-1/4 inches down from the upper unit support pan, start the 1/4-20 X 1/2 taptite, run in until taptite is just protruding through channel.
- Step #4.** Repeat Step #3 locating 1 hole 9-3/4 inches up from the lower unit support pan.
- Step #5.** Swing panel assembly so that slots in mounting plates shown by dimension "X" slip onto #1/4-20 taptites.
- Step #6.** Run #10-32 X 3/8 taptites through clearance hole in right hand unit support and into mounting plates. Install hardware so that head of screw is in vertical wireway.
- Step #7.** Torque down fasteners, #1/4-20 to 65 ±5 lb.-in. and #10-32 to 32 ±3 lb.-in.
- Step #8.** Wire panel and replace trim pans. Install trim pan with chamfer in top left corner using hardware removed in Step 1.



4.0	39.00
3.5	32.50
3.0	26.00
2.5	19.50
2.0	13.00
SPACE FACTOR	DIM. X



# Allen-Bradley Motors